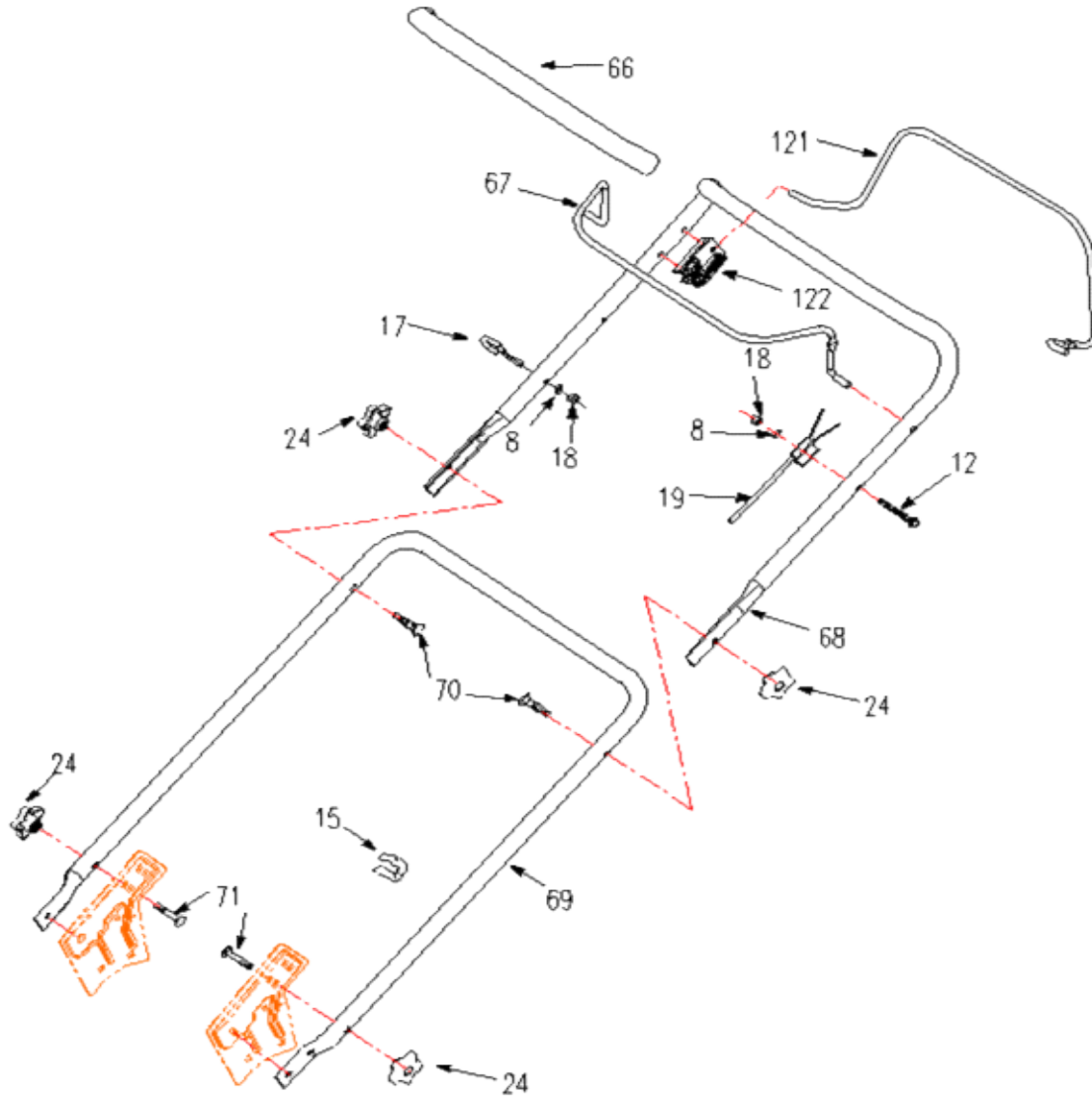
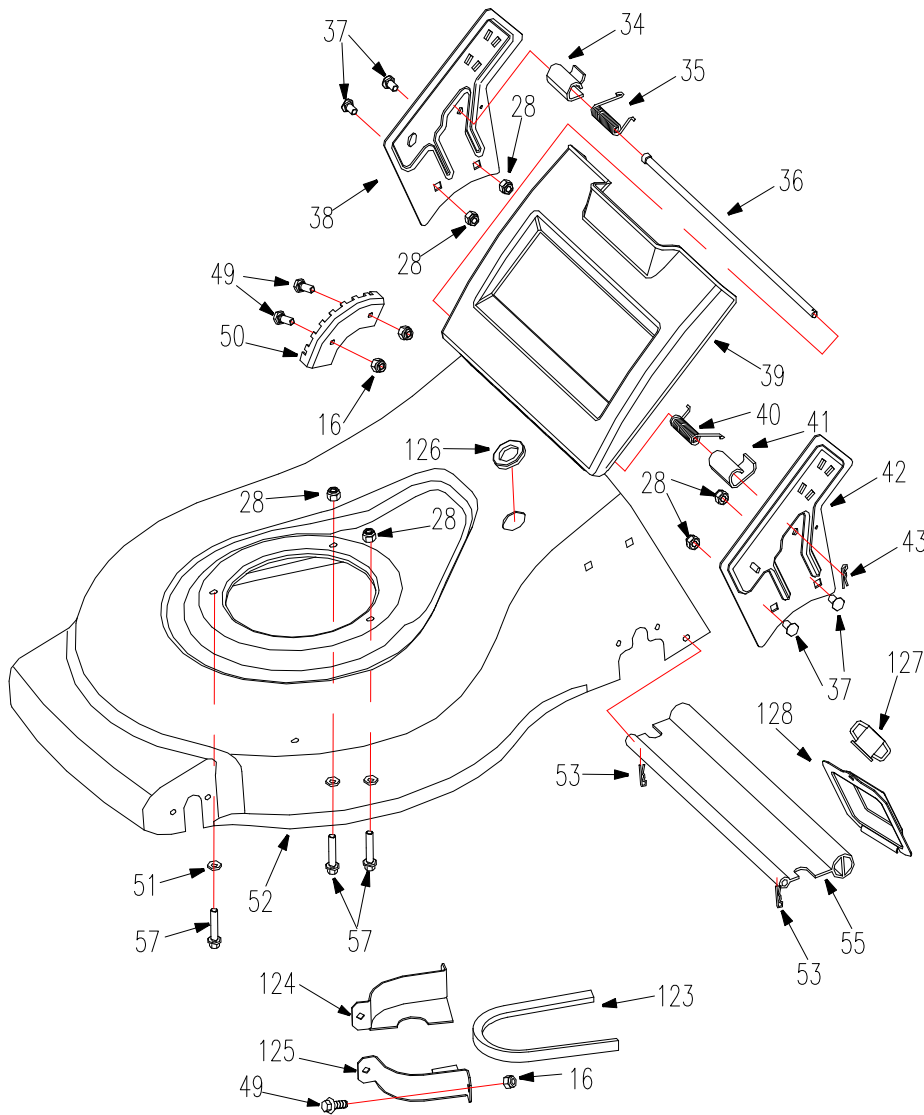


# Parts Book For WYZ18N2-LC1P65FE-2-A01

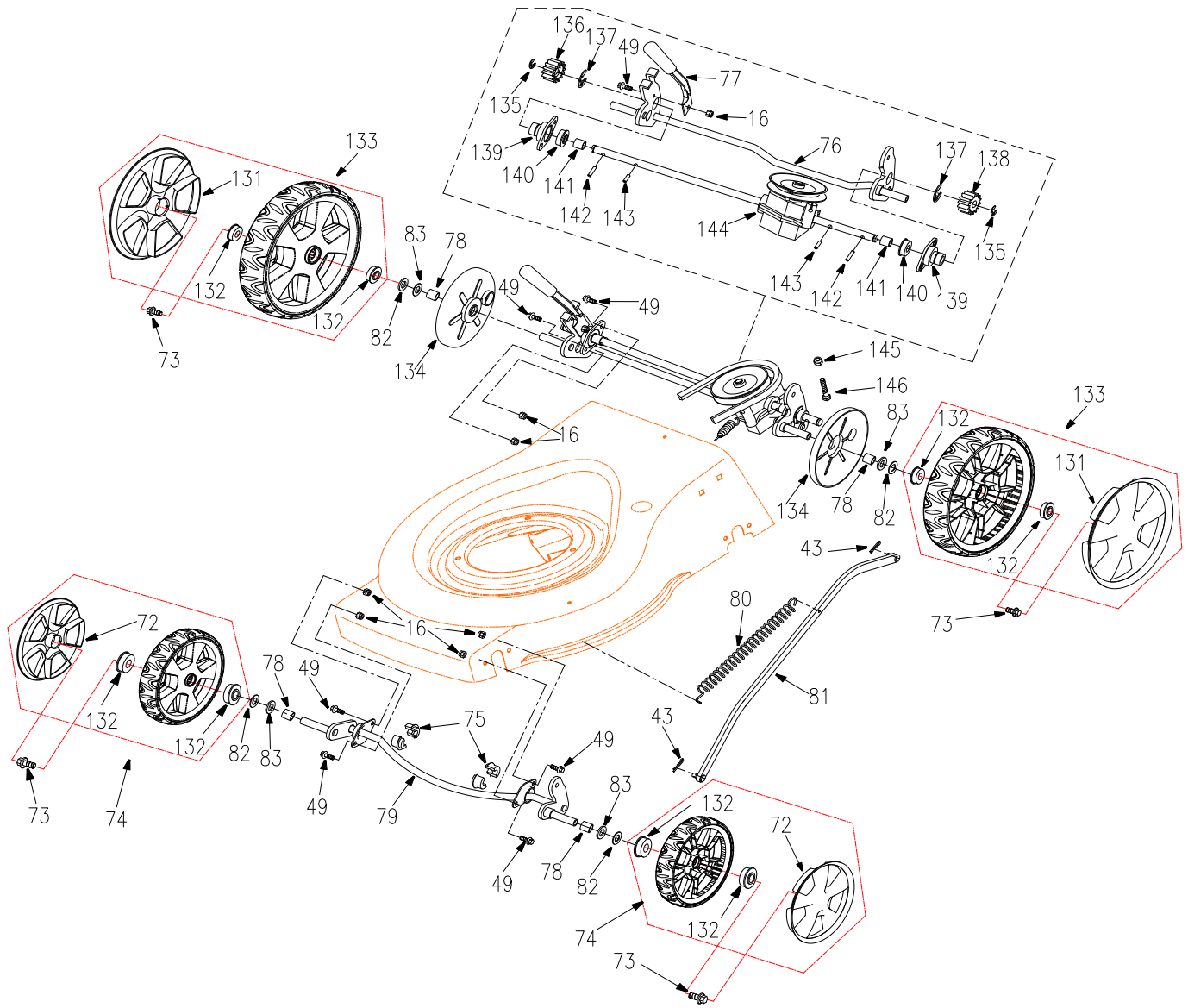


Ref. No.	Parts No.	Description	QTY
8	B97.1-6	Washer 6	2
12	B820-635	Screw M6×35	1
15	2011031	Cable Clamp	1
18	B923-6	Nylon Insert Lock Nut M6mm	2
17	WORD18.6-05B	Guy Hook	1
19	2100625A	Cable Unit	1
24	XSZ56-1-09	Knob Nut M8mm	4
66	WORD18.6-04	Handle Grip	1
67	2003101	Blade Control Handle	1
68	1803002	Upper Handlebar	1
69	WORD18.6-01	Lower Handlebar	1
70	XSZ56-1-15	Bolt	2
71	B801-840	Square Neck Bolt M8×40mm	2
121	2003201	Drive Clutch Lever	1
122	2203003	Bracket	1



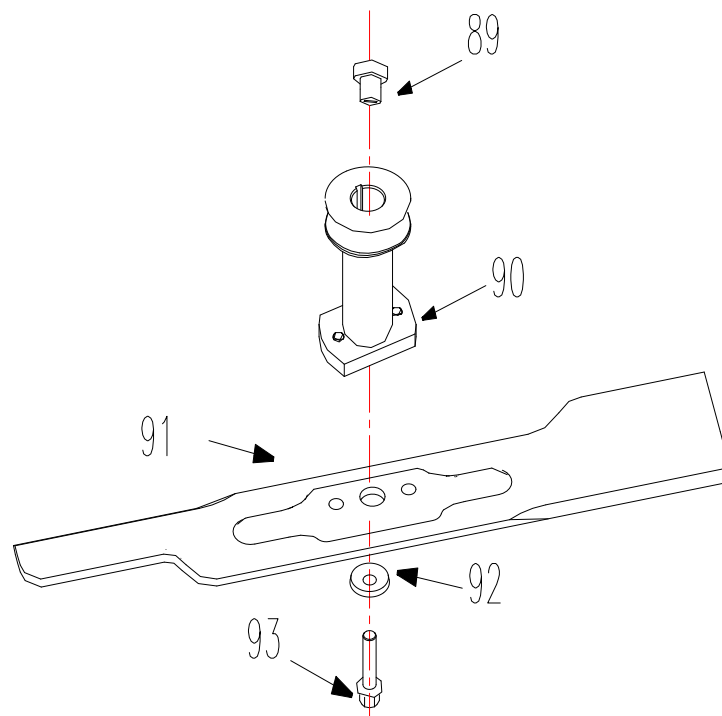
Ref. No.	Parts No.	Description	QTY
16	B6182-6	Nylon Insert Lock Nut M6mm	5
28	B6182-8	Looknut M8	6
34	1822033	Torsion Spring Seat , R	1
35	2000056	Torsion Spring, Right	1
36	2000024	Rod, Rear Cover	1
37	B801-816	Square Neck Bolt M8X16mm	4
38	1822006	Right Bracket	1
39	1800004	Rear Cover	1
40	2000055	Torsion Spring, Left	1
41	1822032	Torsion Spring Seat , L	1
42	1822004	Left Bracket	1
43	XSZ56-1-17	Hair Pin	1
48	2200021	Torsion Spring	1
49	B5787-616	Hex Hd. Flange Bolt M6X16mm	5
50	1822031	Height Adjustment Rack	1
51	B97.1-8	Washer 8	3
52	1822050	Deck	1
53	B91-220	Pin 2x20	2
55	XSS46-15A	Rear Guard	1

57	B5787-840	Square Neck Bolt M8×40mm	3
123	1812003	V-Belt Z750	1
124	1808213	Belt Cover,Right	1
125	1808212	Belt Cover,Left	1
126	4LZ2.16.4-04	Rubber Ring	1
127	2100012	Nut	1
128	1813011	Guard	1

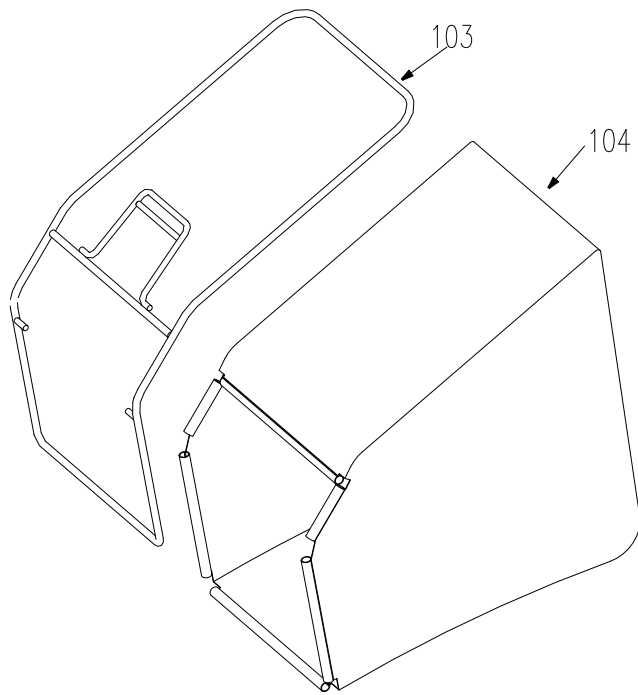


Ref. No.	Parts No.	Description	QTY
16	B6182-6	Nylon Insert Lock Nut M6mm	9
43	XSZ56-1-17	Hair Pin	2
49	B5787-616	Hex Hd. Flange Bolt M6X16mm	9
72	00701	Hub Cap	2
73	B5787-816	Square Neck Bolt M8X16mm	4
74	00700	Wheel 15"	2
75	WORD18-01	Nylon Bearing 1/2"	4
76	1807130A	Rear Axle Assembly	1
77	WORD18.5.2	Cutting Height Adjustment Lever	1
78	2007401	Bushing	4
79	1807110	Front Shaft Assembly	1
80	1810016	Tension Spring	1
81	1822002	Haul Shank Seam	1
82	B97.1-12	Washer 12	4
83	B955-12	Washer 12	4
131	00811	Hub Cap	2
132	2201002	Nylon Bearing 1/2"	8
133	00810	Wheel 8"	2

134	2200034	Cover	2
135	B896-9	E-Clip 9mm	2
136	2200033	Pinion Gear, Right	1
137	XSZ56-2-06	E-Clip 19mm	2
138	2200032	Pinion Gear, Left	1
139	2207002A	Bearing Housing	2
140	2207003	Bearing	2
141	2207001	Bushing	2
142	XSZ56-2-08	Roll Pin	2
143	B879-516	Spring Pin 5×16mm	2
144	84787B	Transmission	1
145	B6170-6	Nylon Insert Lock Nut M6mm	1
146	B820-645	Screw M6×45	1



Ref. No.	Parts No.	Description	QTY
89	1819001	Bushing	1
90	1819100	Blade Adaptor Pulley	1
91	XSS46-01	Blade	1
92	XSZ56-2-17	Washer	1
93	WORD18-08A	Bolt	1



Ref. No.	Parts No.	Description	QTY
103	1822071	Bag Frame	1
104	1806200	Fabric Bag	1