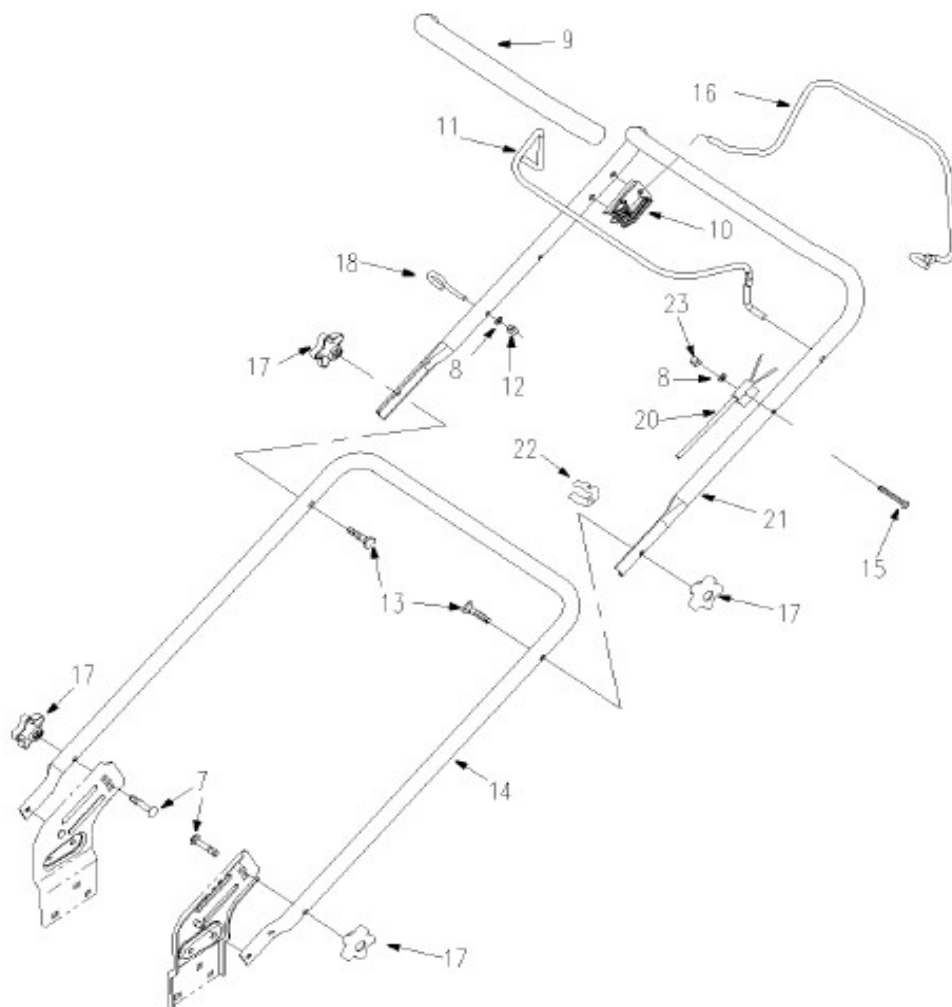
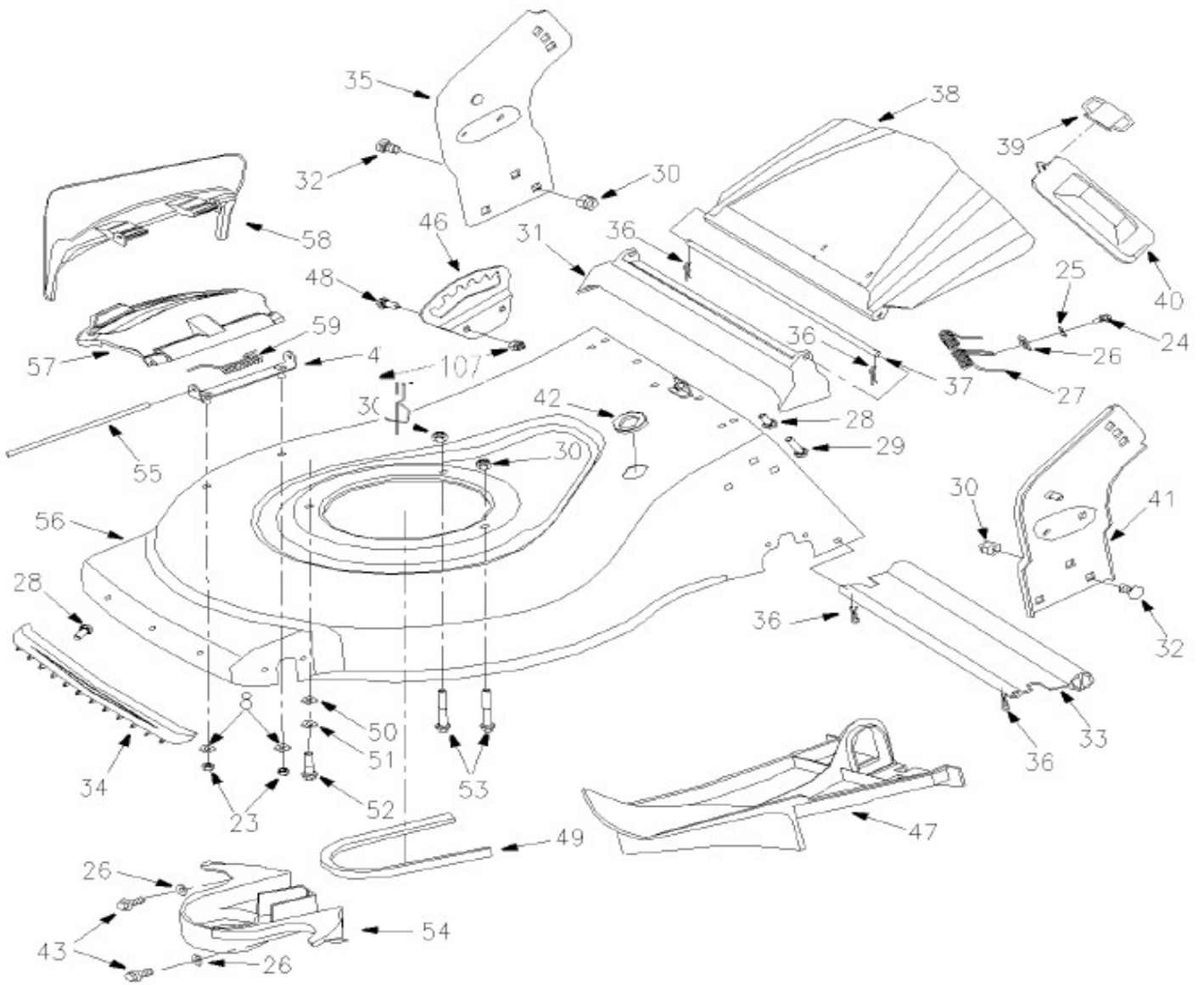


# Parts Book For WYZ20H5-LC1P70FE-B01

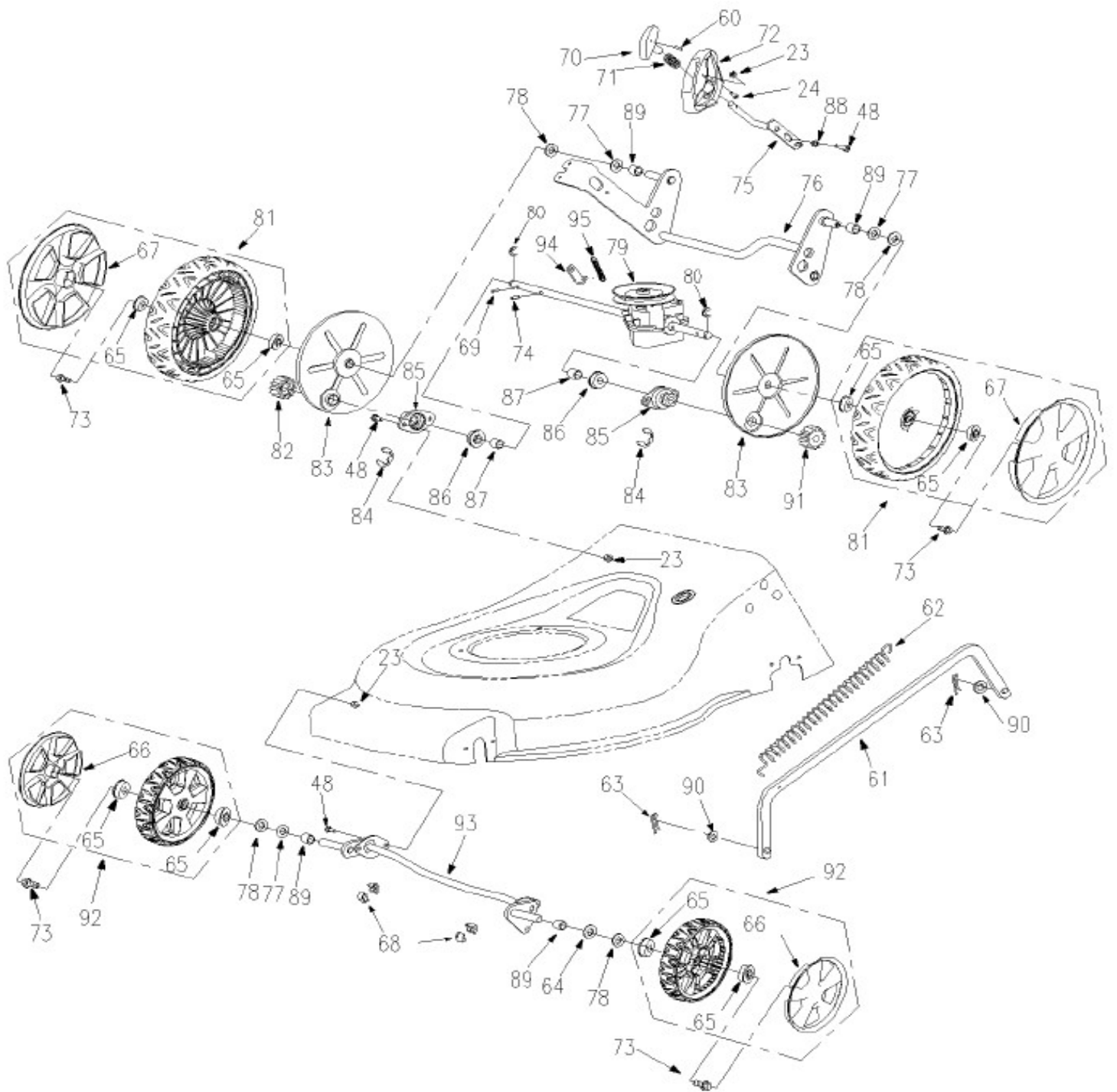


Ref. No.	Parts No.	Description	QTY
7	B801-825	Hex Hd. Flange Bolt M8×25mm	2
8	B97.1-6	Washer 6	2
9	18.6-04	Handle Grip	1
10	2203003	Bracket	1
11	2003101	Blade Control Handle	1
12	B923-6	Acorn Nut M6	1
13	XSZ56-1-15	Bolt	2
14	2013301	Lower Handlebar	1
15	GB820-06040	Screw M6×40	1
16	2003201	Drive Clutch Lever	1
17	1850006B	Knob Nut M8mm	4
18	WORD18.6-05B	Guy Hook	1
20	2203334	Cable Unit	1
21	2003002D	Upper Handlebar	1
22	2011031	Cable Clamp	1
23	GB6182-06	Nylon Insert Lock Nut M6mm	1



**Parts List on Next Page**

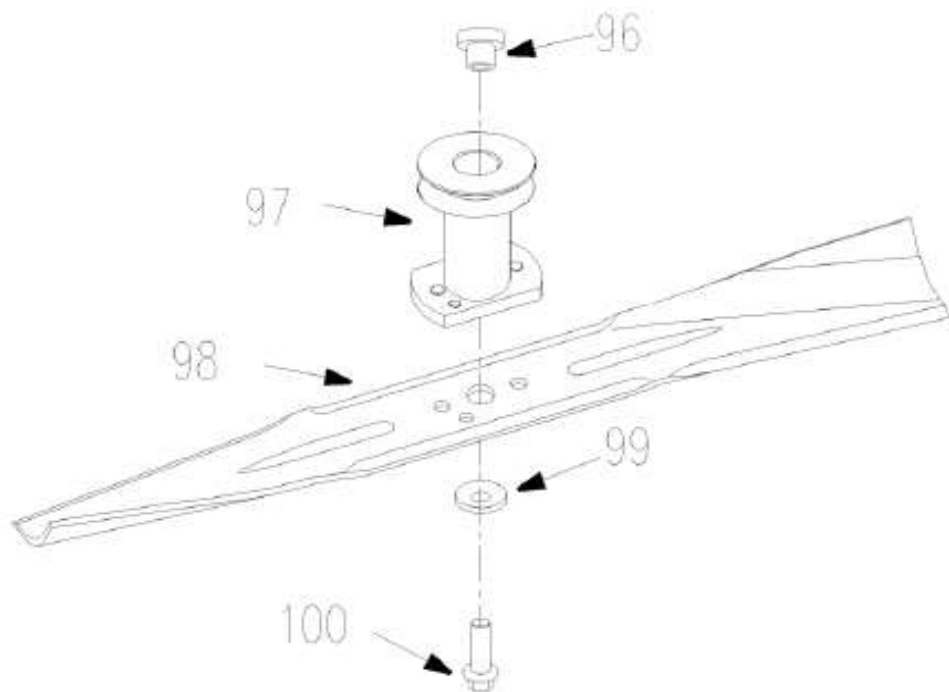
Ref. No.	Parts No.	Description	QTY
8	B97.1-6	Washer 6	2
23	B6182-6	Nylon Insert Lock Nut M6mm	4
24	B5787-620	Bolt M6×20	1
25	B93-6	Washer 6	1
26	B96-6	Washer 6	3
27	2012006	Torsion Spring	1
28	B5285-5513F	Self Tapping Screws ST5.5X13F	6
29	B5285-5519C	Self Tapping Screws ST5.5X19C	4
30	B6182-8	Locknut M8	8
31	2012003	Rear Cover Bracket	1
32	B801-816	Square Neck Bolt M8X16mm	6
33	2011069	Rear Guard	1
34	2013009	Grass Comb	1
35	2205000A	Right Bracket	1
36	B91-216	Pin2×16	4
37	2100350	Rod, Rear Cover	1
38	2100466	Rear Cover	1
39	2100012	Wing Nuts	1
40	2008011	Guard	1
41	2204000A	Left Bracket	1
42	4LZ2.16.4-04	Rubber Ring	1
43	B5787-612	Hex Hd. Flange Bolt M6×12mm	2
45	2213000	Mounting Bracket, Discharging Chute	1
46	2012004	Height Adjustment Rack	1
47	2012010	Mulching Plug	1
48	B5787-616	Hex Hd. Flange Bolt M6X16mm	2
49	2012013	V-Belt A800	1
50	B93-8	Washer 8	1
51	B97.1-8	Washer 8	1
52	B5787-825	Hex Hd. Flange Bolt M8×25mm	1
53	B5787-840	Square Neck Bolt M8×40mm	2
54	2000066	Belt Cover	1
55	2000019	Anti Rotation Bracket	1
56	2012820A	Deck	1
57	2000016	Mulch Cover	1
58	2013008	Side Discharge Chute	1
59	2200021	Torsion Spring	1
107	1850130	Limited plate	1



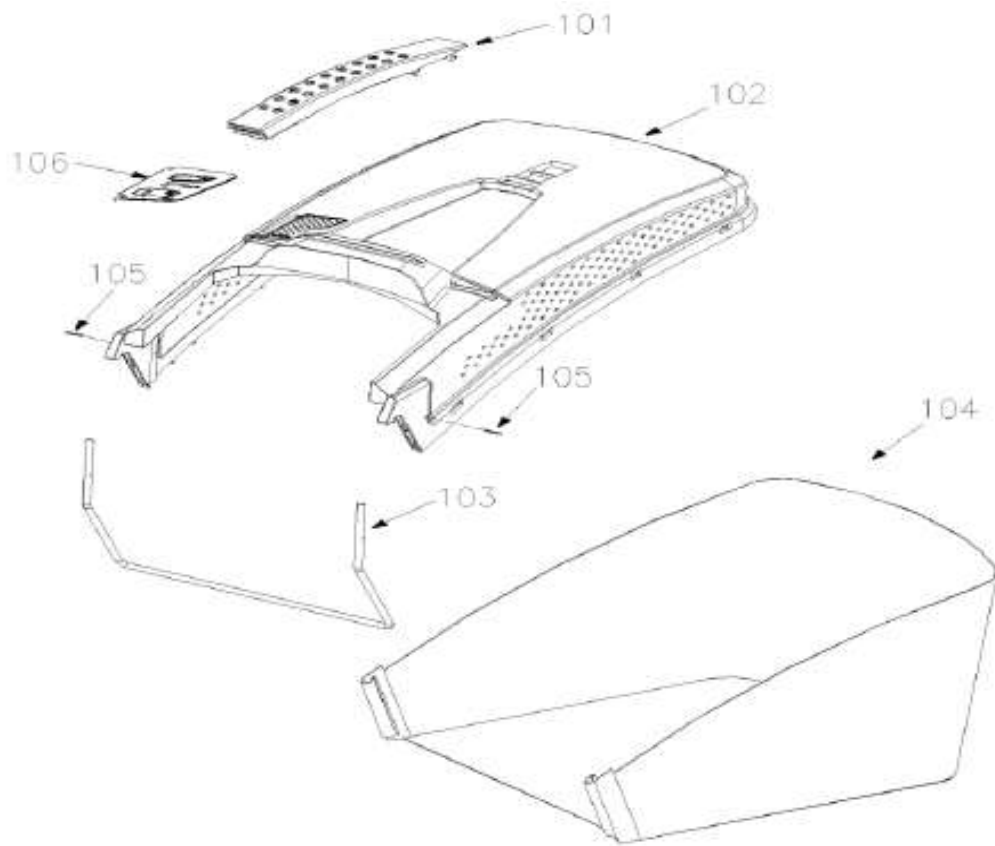
**Parts List on Next Page**



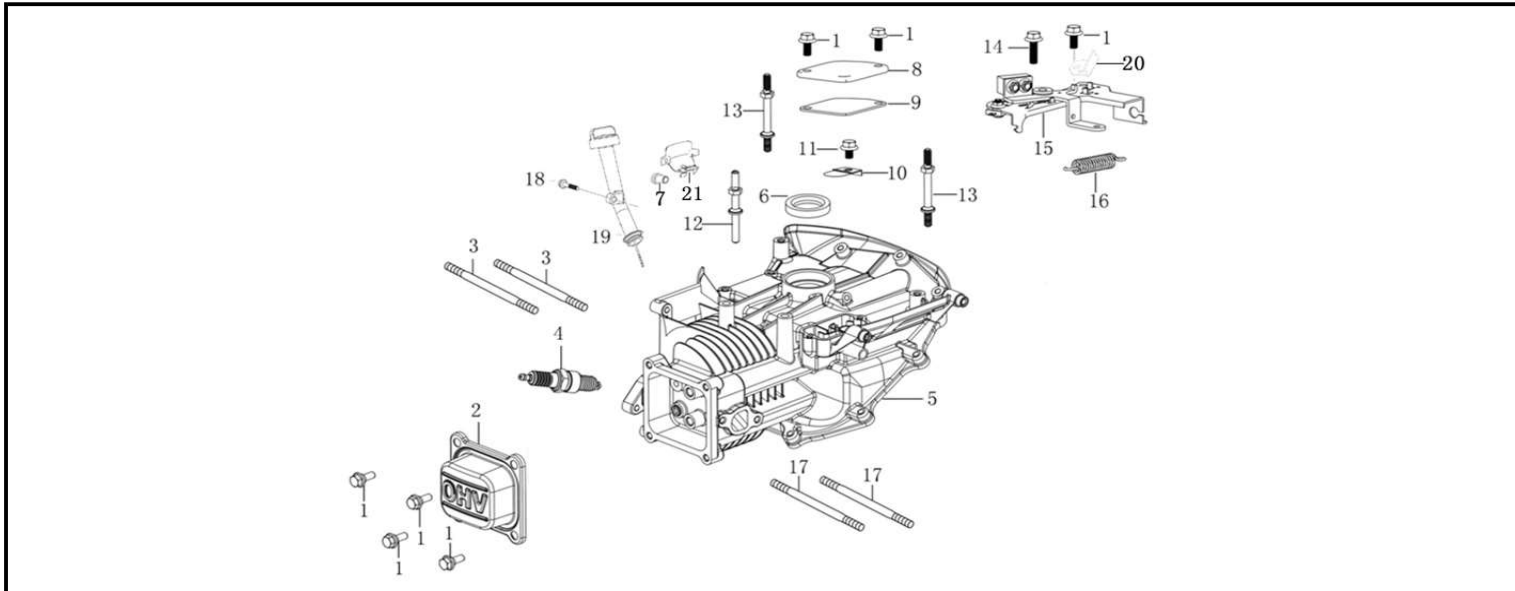
Ref. No.	Parts No.	Description	QTY
23	B6182-6	Nylon Insert Lock Nut M6mm	10
24	B5787-620	Bolt M6×20	2
48	B5787-616	Hex Hd. Flange Bolt M6X16mm	9
60	B879-212	Spring Pin	1
61	2012200	Haul Shank Seam	1
62	2200053	Tension Spring	1
63	XSZ56-1-17	Hair Pin	2
64	2012012	Slice Pillow	1
65	2201002	Nylon Bearing 1/2"	8
66	00801	Hub Cap	2
67	01111	Hub Cap	2
68	WORD18-01	Nylon Bearing 1/2"	4
69	XSZ56-2-08	Roll Pin	2
70	2012701B	Knob	1
71	2012703	Pressure Spring	1
72	2012702	Handle	1
73	B5787-816	Square Neck Bolt M8X16mm	4
74	B879-516	Spring Pin 5×16mm	2
75	2013710	Handle, Rear	1
76	2013720	Rear Axle Assembly	1
77	B97.1-12	Washer 12	3
78	B955-12	Washer 12	4
79	84787	GT Transmission	1
80	B896-9	E-Clip 9mm	2
81	01110	11" wheel	2
82	2200033	Pinion Gear, Right	1
83	0110001	Cover	2
84	XSZ56-2-06	E-Clip 19mm	2
85	2207002A	Bearing Housing	2
86	2207003	Bearing	2
87	2207001	Bushing	2
88	2007006	Bushing	1
89	2007401	Bushing	4
90	2000086	Slice Pillow	2
91	2200032	Pinion Gear, Left	1
92	00800	8" wheel	2
93	2012900	Front Shaft Assembly	1
94	2100496	Support Plate	1
95	2012016	Transmission Tension Spring	1



Ref. No.	Parts No.	Description	QTY
96	1819001	Bushing	1
97	2012100D	Blade Adaptor Pulley	1
98	2000002D	Blade	1
99	XSZ56-2-17	Washer	1
100	2200010	Bolt	1



Ref. No.	Parts No.	Description	QTY
101	2100463A	Grass Bag Handle	1
102	2100447A	Grass Bag Cover	1
103	2012611	Bag Frame	1
104	2012620	Fabric Bag	1
105	B879-2513	Pin 2.5X13	2
106	2100446A	Access Plate	1

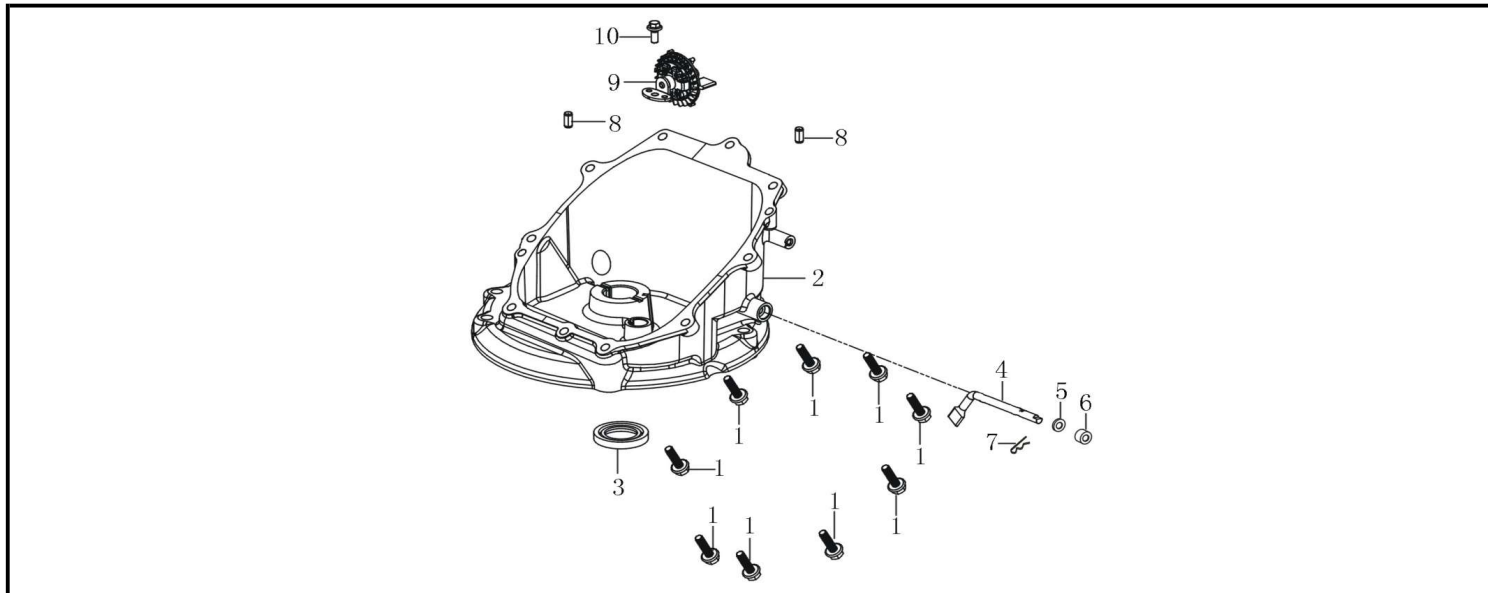


(CRANK CASE)

No.	Part No.	Description		Reqd. QTY
1	380140067-0003	Hexagon bolt with flange	GB/T 5789 M6 L=12; 镀蓝白锌Q16	7
2	120230224-0001	Cylinder head cover	TE50;	1
3	380180147-0001	Stud	T302 M6 L=70.5; 镀蓝白锌Q16	2
4	270960089-0001	Spark plug	F7RTC 无干扰 阻值8-14kΩ;	1
5	110810451-0001	Crankcase body	TE50;	1
6	380650893-0001	Oil seal	T327 d=25.4 D=41.25 b=6 丙烯酸脂CII; 满足REAC	1
7	380822360-0001	Bushing	T320 外径10(带Φ14.5台阶) 内径6.5 长13 风扇	1
8	110840041-0001	CAP, BREATHER CHAMBER	T327;	1
9	110850030-0002	PACKING, BREATHER CHAMBER	T327; 通机变更单号TJGGBG2020006	1
10	140250026-0001	Leaf valve	T327; Cr3+钝化	1
11	380140039-0003	Hexagon bolt with flange	GB/T 5789 M6 L=8; 镀蓝白锌Q16	1
12	380850016-0001	Stay stud	T323 M6 L=72; 镀蓝白锌Q16	1
13	380850010-0001	Stay stud	T321 M6 L=78; 镀蓝白锌Q16	2
14	380140077-0005	Hexagon bolt with flange	GB/T 5789 M6 L=20; 镀蓝白锌Q16	1

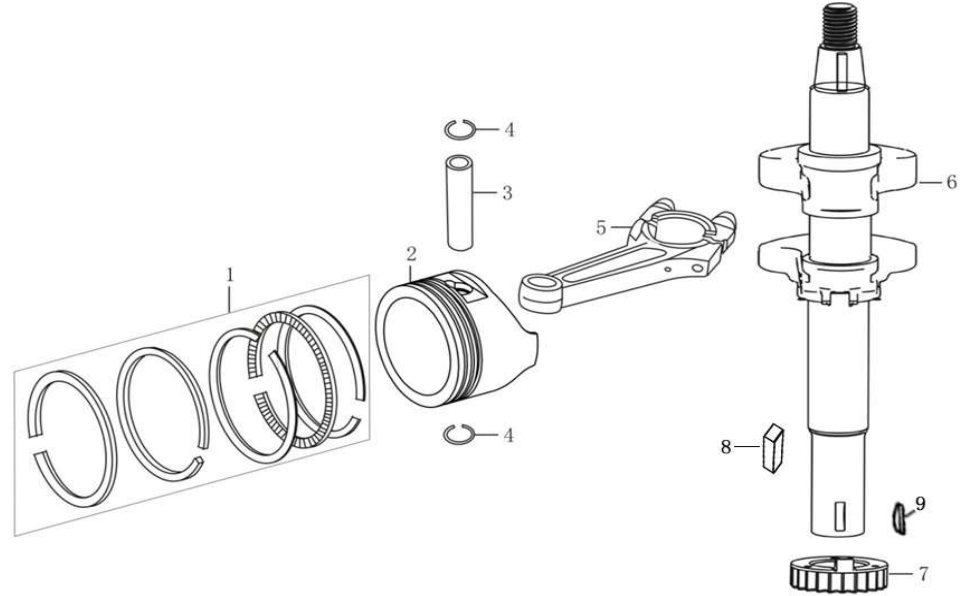






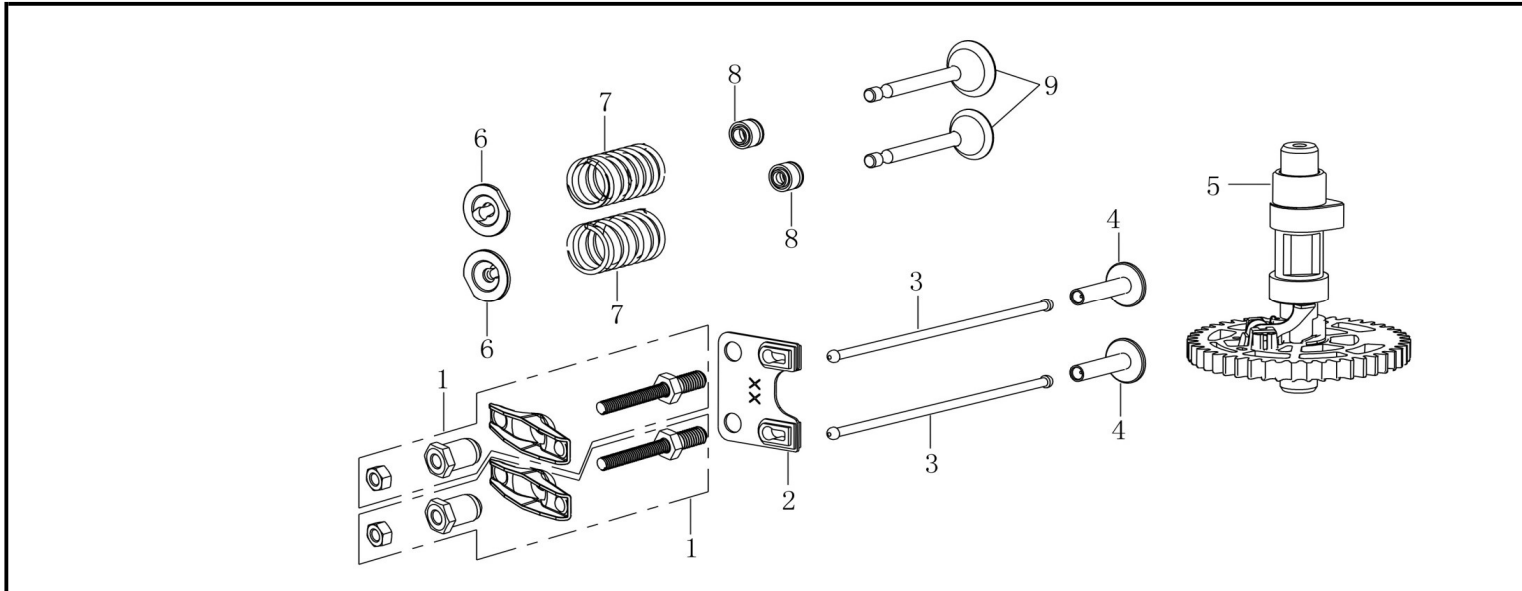
(Crankcase cover)

No.	Part No.	Description		Reqd. QTY.
1	380140103-0004	Hexagon bolt with flange	GB/T 5789 M6 L=25; 镀蓝白锌Q16	9
2	110820198-0002	Crankcase cover	T327; 通机规格变更单FM202205250360	1
3	380650347-0001	Oil seal	T320 d=25 D=41.25 b=6 丙烯酸脂CII; 含Hg/Cr6/P	1
4	171630031-0001	Speed regulating arm	T327;	1
5	380450527-0001	Flat washer	T05K T21 内径6 外径13 厚度1.65Mn; 氧化Q07	1
6	380650338-0001	Oil seal	T320 d=6 D=11 b=4;	1
7	381350004-0001	Pin clip	T040 调速臂用;	1
8	380600241-0001	ocation pin	T323 d=6 L=16;	2
9	171750039-0001	Components of governor gear	T327 直齿;	1
10	380140167-0002	Hexagon bolt with flange	GB/T 16674.1 M5 L=12; 镀蓝白锌Q16	1



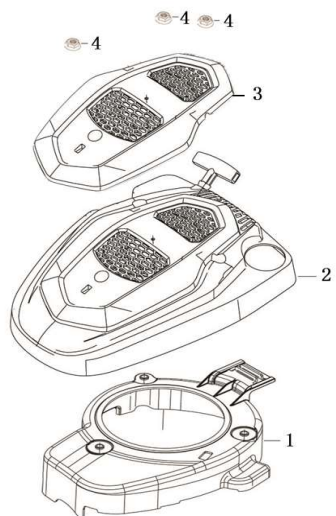
(CRANKSHAFT/PISTON)

No.	Part No.	Description		Reqd. QTY.
1	130070187-0001	Piston ring combination	T072 一二环厚1mm, 油环组合厚2.5mm; 含Hg/Cr6/Pl	1
2	130030380-0001	Piston	TE50 槽宽:1, 2环槽宽1mm, 组合环槽宽2.5mm, 回油	1
3	130060030-0001	Piston pin	T030 $\phi 13 \times 47$ ;	1
4	380560055-0001	Steel cable baffle ring	T030 活塞销挡圈;	2
5	130150171-0001	Connecting rod	TE50 中心距81.5;	1
6	130290749-0001	crankshaft	TE50 F轴 球墨铸铁;	1
7	130230061-0001	Timing driving wheel	T327 正时主动齿轮 直齿;	1
8	380620030-0001	Key	GB/T1095 L=38 4.78 $\times$ 4.78 A型;	1
9	380620119-0001	Key	ANSI B17.2-1967 (R1998) $\frac{5}{32} \times \frac{5}{8}$ ;	1



(CAMSHAFT)

No.	Part No.	Description		Reqd. QTY.
1	140450060-0001	Valve rocker combination	T323;	2
2	140710022-0001	Plate, push rod guide	TE50;	1
3	140670028-0001	Push rod	T302 长127.5 整体实芯;	2
4	140690002-0001	Lifter, Valve	T040; 含Hg/Cr6/Pb/PBB/PBDE≤1000ppm, Cd≤100ppm;	2
5	140020174-0001	Camshaft assy	T327 直齿;	1
6	140380020-0001	Retainer, valve spring	T320 排气门用;	2
7	140340039-0001	Inner spring of valve	T322 7圈; 含Hg/Cr6/Pb/PBB/PBDE≤1000ppm, Cd≤100ppm;	2
8	140400016-0001	Valve oil seal	T05K; 含Hg/Cr6/Pb/PBB/PBDE≤1000ppm, Cd≤100ppm;	2
9	500550029-0001	Valve Kit	T350 排气门不堆焊;	1

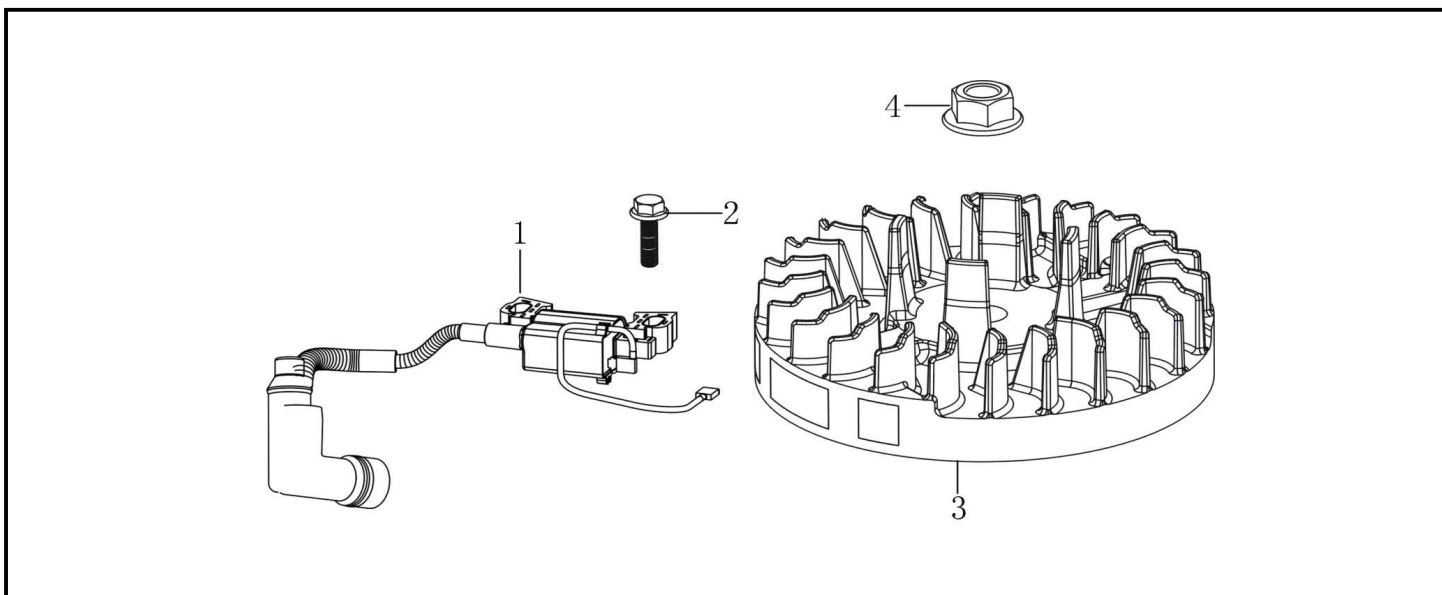


(STARTER)

No.	Part No.	Description		Reqd. QTY.
1	160210165-0001	Fan cover comp.	T327;	1
2	193490527-0003	Manual starting assembly	T327_4#;本色黑6#Q80_PAHS认证	1
3	193690040-0001	Starter decoration cover	T327_4#;本色红6#Q79	1
4	380370066-0001	Hexagon nut with flange	GB/T 6177.1_不带防滑齿 M6;镀蓝白锌Q16	3

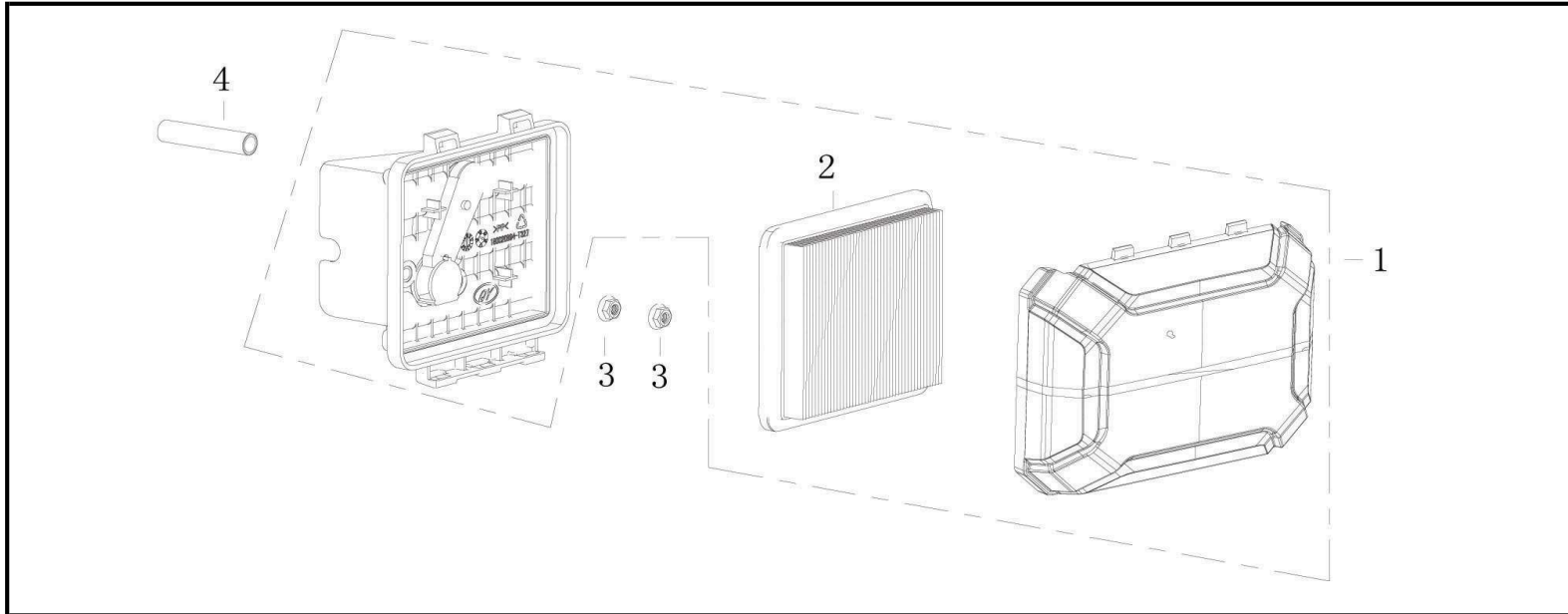






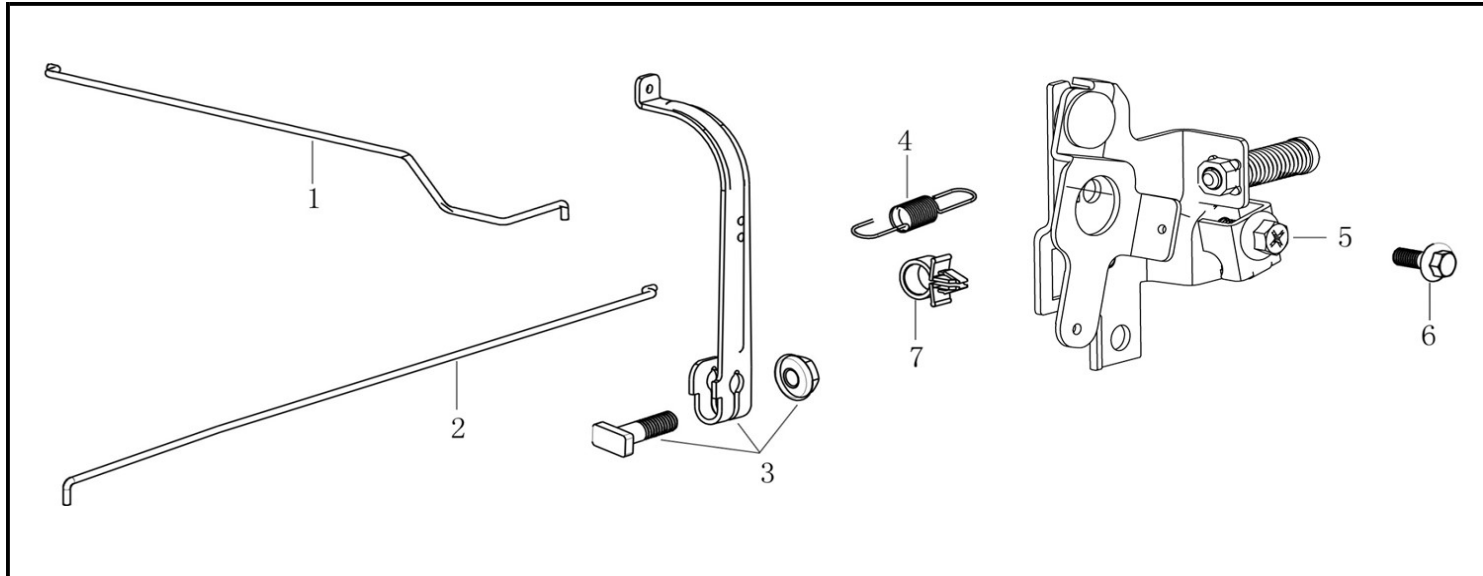
(FLYWHEEL/IGNITION COMP)

No.	Part No.	Description		Reqd. QTY.
1	270920555-0001	COIL ASSY., IGNITION	T327 9#, 抗干扰 PPS+导电硅胶+10kΩ 陶瓷大火花塞	1
2	380140103-0004	Hexagon bolt with flange	GB/T 5789_M6 L=25; 镀蓝白锌Q16	1
3	270020604-0001	FLYWHEEL COMP	T323 2#, 铝飞轮, 带叶轮和3mm厚起动机杯;	1
4	380370051-0001	Hexagon nut with flange	T040 M14×1.5; 镀蓝白锌Q16	1



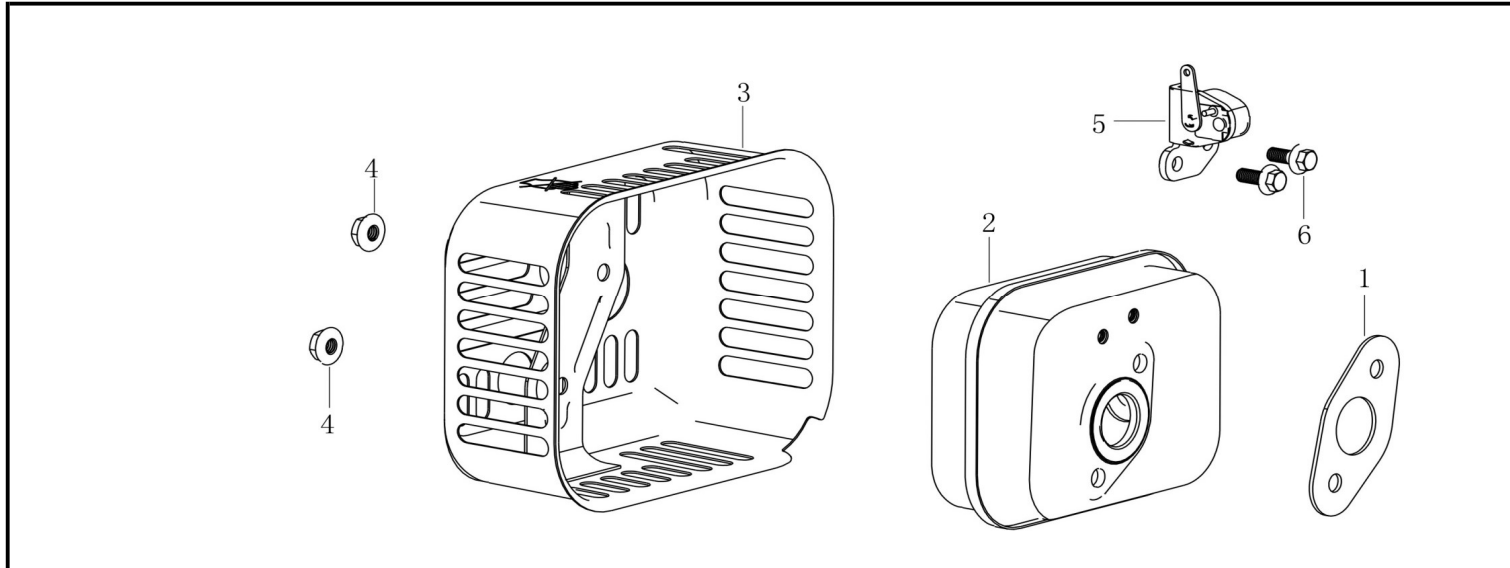
(AIR CLEANER)

No.	Part No.	Description		Reqd. QTY.
1	180020894-0002	Air filter	T327;满足REACH要求	1
2	180130178-0001	Air filter element	T321 滤芯体;	1
3	380370066-0001	Hexagon nut with flange	GB/T 6177.1_不带防滑齿_M6;镀蓝白锌Q16	2
4	380741304-0002	Breather tube	T327;满足ROHS要求	1



(CONTROL)

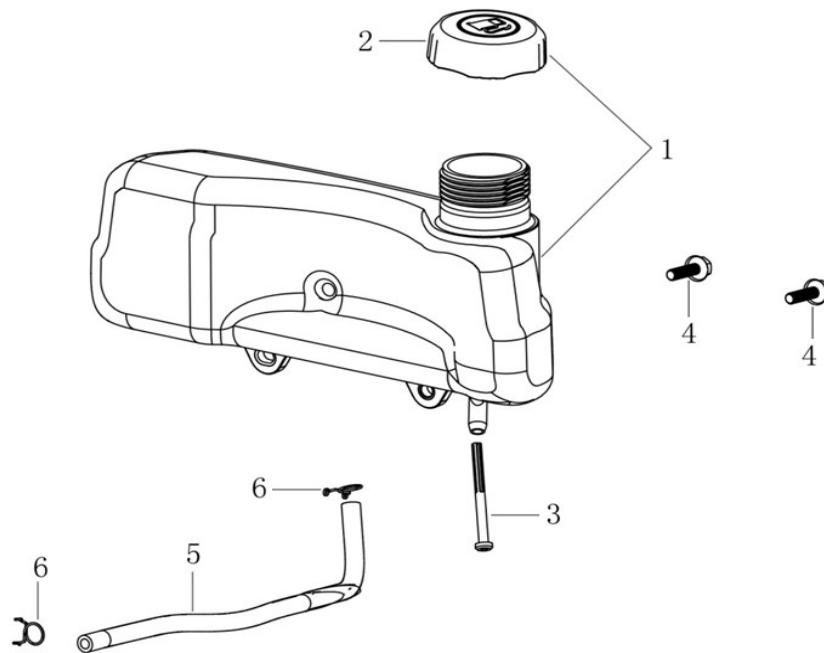
No.	Part No.	Description		Reqd. QTY.
1	171650040-0001	Choke valve pull rod	T323 自动阻风门状态 长拉杆,长165.5;镀蓝白锌Q	1
2	171590041-0001	Throttle rod	T327;	1
3	171620033-0003	Speed regulat ing bracket	T323;带方头平端紧定螺钉/六角法兰面螺母_不带	1
4	171600107-0001	Governing spring	T325 17圈,簧径0.7,长43;	1
5	171680164-0001	Throttle handle combination	T327 1#,固定转速;	1
6	380140167-0002	Hexagon bolt with flange	GB/T 16674.1 M5 L=12;镀蓝白锌Q16	1
7	380930025-0001	Location wire nail	T320 燕尾卡;	1



(MUFFLER)

No.	Part No.	Description		Reqd. QTY.
1	180660077-0001	Muffler gasket	T323 石墨;	1
2	180572568-0001	Muffler	TE50 带温度传感器状态;	1
3	180960204-0001	Muffler guard shield	T327;	1
4	380370048-0001	Hexagon nut with flange	GB/T 6177.1 M6; 镀蓝白锌Q16	2
5	171470012-0001	Control components of choke valve	T323 自动阻风门, 摇臂状态;	1
6	380140167-0002	Hexagon bolt with flange	GB/T 16674.1 M5 L=12; 镀蓝白锌Q16	2





(FUEL TANK)

No.	Part No.	Description		Reqd. QTY.
1	170490299-0003	Tank	T327_2#_带1P65FA 3#油箱盖, 丁腈橡胶密封垫+通	1
2	170870156-0002	Tank cover	T320_3#_丁腈橡胶密封垫+通气板; 满足REACH要求	1
3	170010017-0001	Fuel filter	T350_250目;	1
4	380140077-0005	Hexagon bolt with flange	GB/T 5789_M6_L=20; 镀蓝白锌Q16	2
5	380750234-0004	Oil tube	T320_内径5.5_外径9.5_长285; 满足REACH要求	1
6	380950190-0001	Pipe clip	T320_油管卡圈;	2