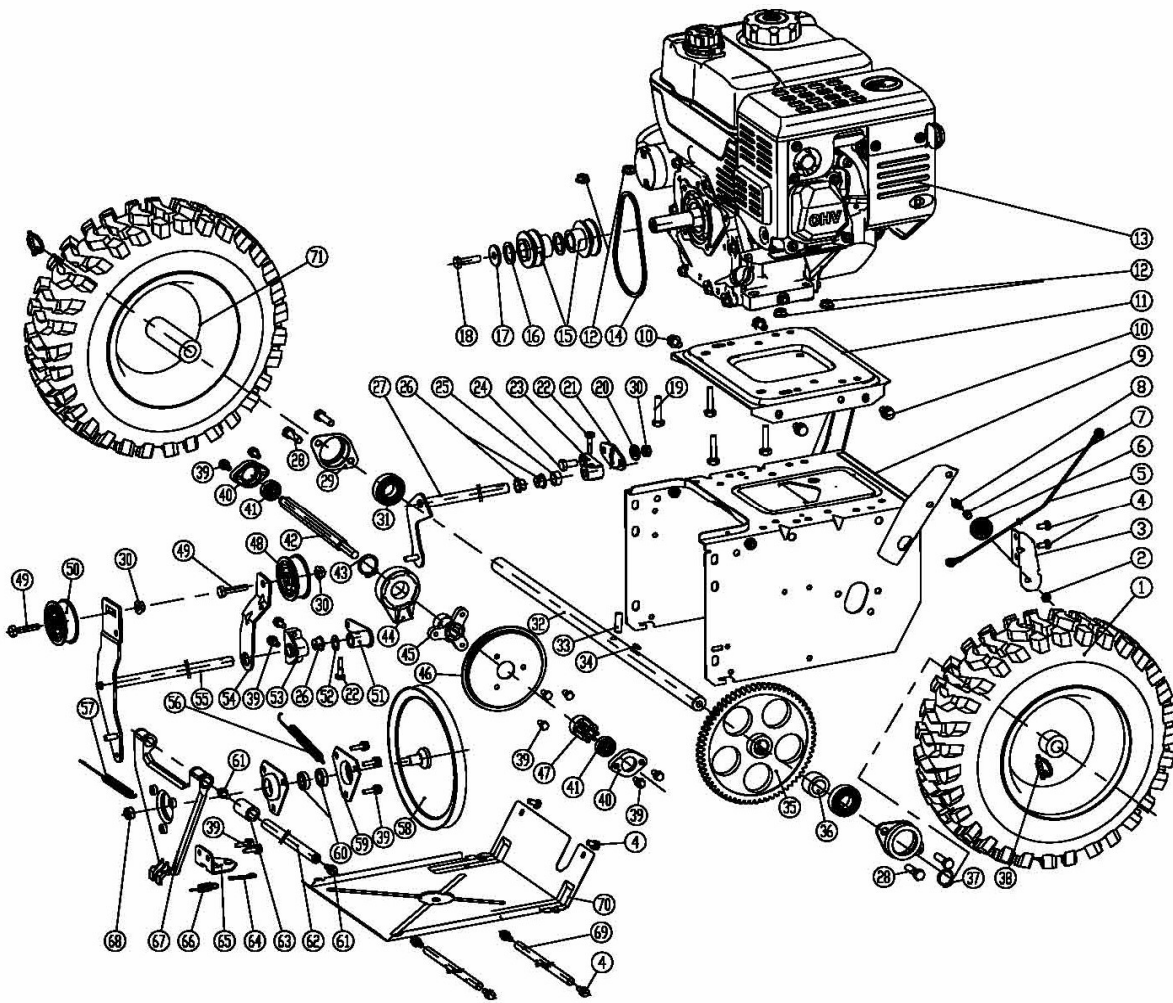


Line#	Part No.	English Description	Qty
1	KCB31-02	connecting rod	1
2	GB/T 6183.1-2000	hex locking nut M6	1
3	GB/T 41-2000	hex nut M8	1
4	KCB31-03	pin with hole	1
5	GB/T 899.1	hex locking nut M8	11
6	KCB31-04	steering plate	1
7	KC55-29	B pin	3
8	KCB31-05B	fixed steering plate	1
9	KCB31-06	steering level	1
10	S07*00447	washer 8x22x2	4
11	GB/T12-1988	bolt M8x40	4
12	GB/T 5780-2000	hex bolt M8x25 (left rotate)	2
13	GB/T5287-2002	big washer 8	1
14	KC21-01-06	belt pulley	1
15	GB/T1096	A key 6x6x20	1
16	GB/T9074.17	hex bolt M8x20	20
17	KCB31-07	side cover plast	2
18	KCB31-08	minor axis	1
19	GB/T1096	B parallel key 5x5x15	1
20	6203-2RZ	ball bearing	2
21	KCB31-09	bearing housing	1
22	KCB31-10	cardan	1
23	KCB31-39	screw M10	2
24	GB/T 41-2000	hex nut M10	2
25	KCB31-40	screw M8	2
26	KCB31-11B	universal wheel shaft	2
27	5033-86	3" universal wheel shaft	2

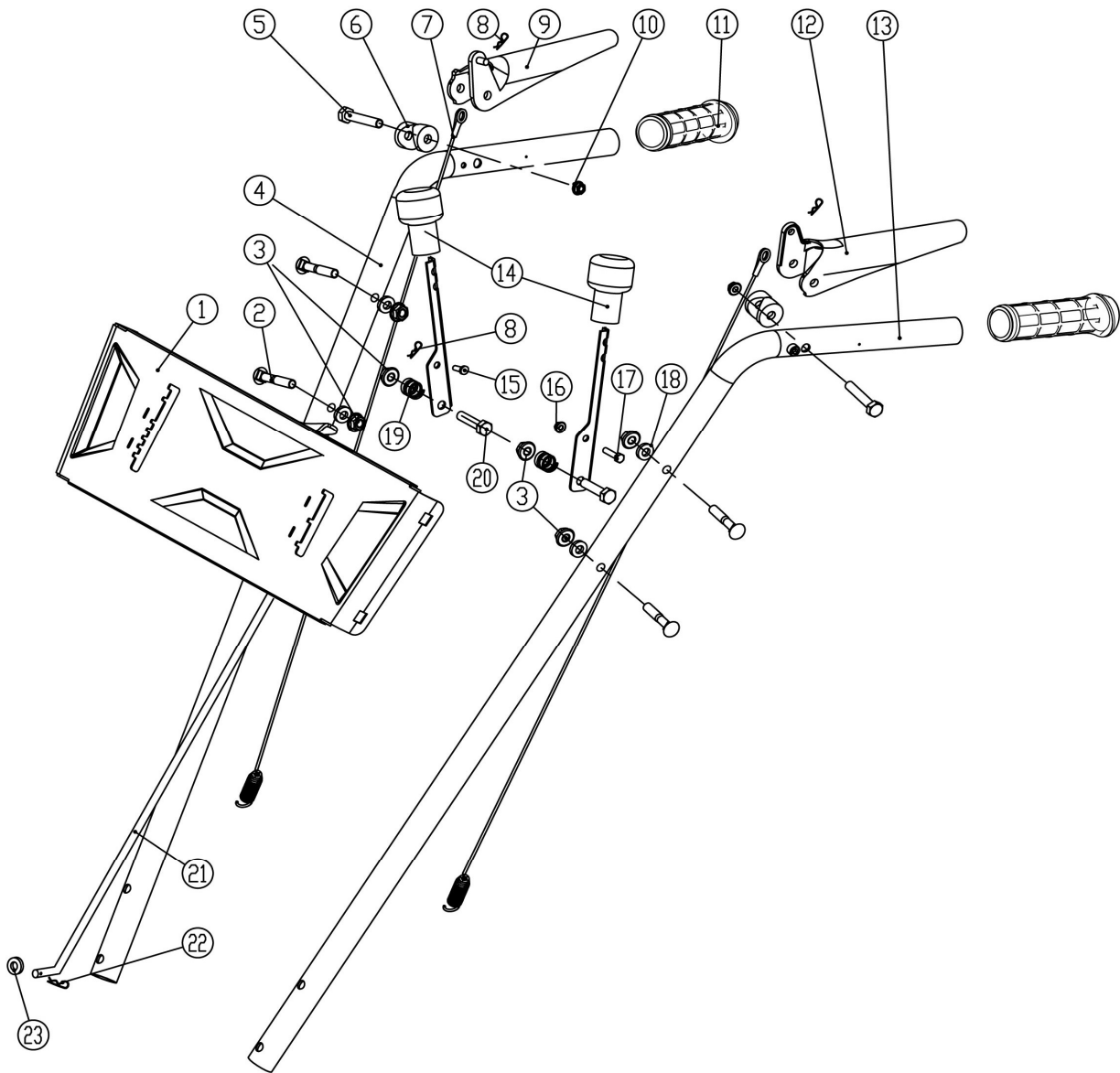
28	KCB31-12B	worm housing fixed plate	1
29	GB/T96.2	big washer8	4
30	KCB31-13	limited pad	2
31	GB/T 5780-2000	hex bolt M8x35	4
32	KCB31-14E	brush bracket 800	2
33	GB/T818-2000	screw M5x10	4
34	KCB31-37	oil cover	2
35	GB13871	FW out sealing ring 22x30x7	2
36	GB/T9074.17	hex bolt M6x20	10
37	KCB31-15B	worm housing(right)	1
38	KCB31-36	worm housing bearing	2
39	KCB31-16	worm gear	1
40	GB/T294-1994	bearing 30302	1
41	KCB31-17B	paper washer	1
42	GB/T 1096	A parallel key 6x6x18	1
43	KCB31-18B	tramission shaft	1
44	GB/T5787-1987	hex bolt M10x15	1
45	KCB31-41	washer	2
46	KCB31-19-1	brush pad	22
47	KCB31-19	brush	26
48	GB/T 5780-2000	hex bolt M8x25	1
49	GB/T 889.1	hex nut M10	2
50	KCB31-20	connector	2
51	KCB31-21BA	brush cover	1
52	0819-10	pin 6x40	2
53	GB/T 5780-2000	hex bolt M8x16	2
54	GB/T899.1	hex nut M6	2
55	CU0807	venting plug 8	1
56	KCB31-22B	worm housing (left)	1
57	GB/T301-1995	ball bearing 51104	1
58	GB894.1-86	check ring 20	1
59	GB13871	sealing ring $\phi 20 \times \phi 32 \times 7$	2
60	KCB31-24A	worm shaft	1
61	GB/T 6183.1-2000	hex locking nut M8	2
62	KC55-04	plastic nut seat	2
63	KCB31-23B	strut plate with brush cover	1
64	GB/T 5780-2000	hex bolt M8x50	2
65	S07*00447	washer 8x22x2	2
66	GB13871	sealing ring $\phi 17 \times \phi 30 \times 7$	1
67	GB/T 1096	parallel key 5x5x30	1
68	6003-2RZ	ball bearing 6003-2RZ	1
69	KC55-02-20	small belt tension washer	2
70	GB/T879-2000	spring pin 6x22	1
71	GB/T6563	hex locking screw M6X12	6
72	GB/T95-2002	washer 6	2
73	KCB31-26	bearing fixed plate	1
74	V10X705	belt	1

75 GB/T 9074.17	hex bolt M6x16	2
76 KC21-17C	washer for belt cover	2
77 KCB31-34	belt cover	1
78 GB/T 5780-2000	hex bolt M6x25	2



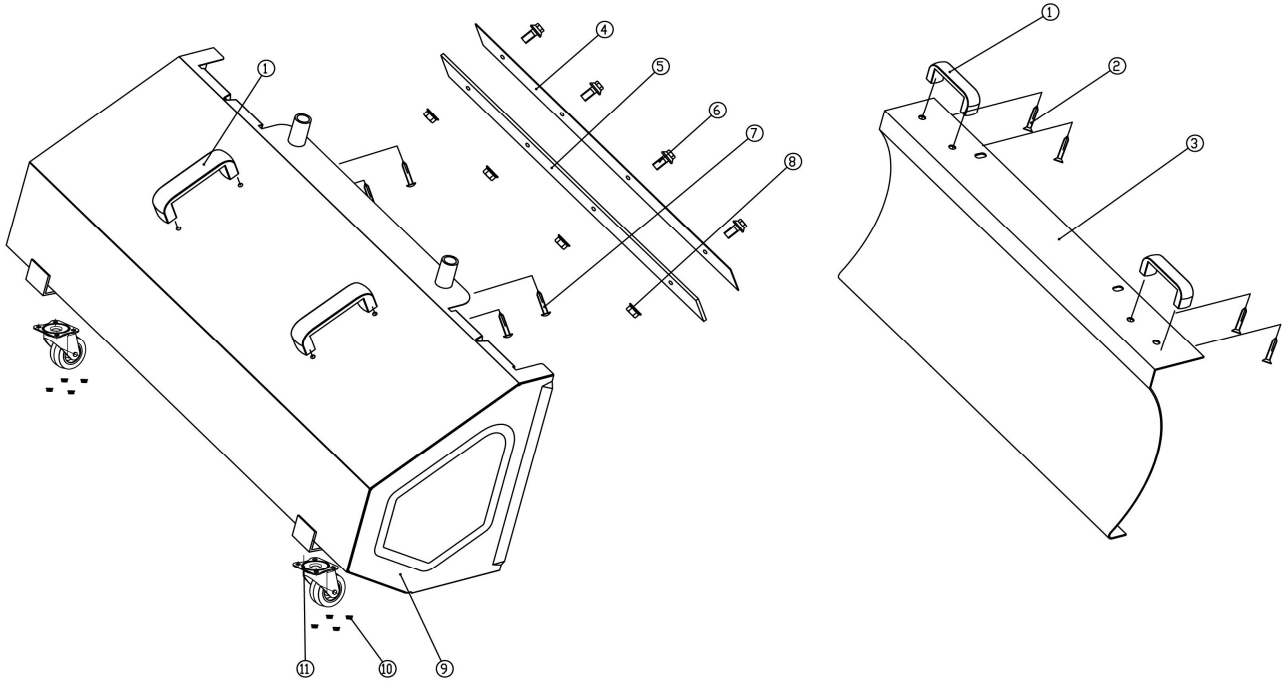
Line#	Part No.	English Description	Qty
1	(13) 4.10-6	13" tyre	2
2	GB/T899.1-2000	hex bolt M6	1
3	KCM24-02C-19	pulley seat	1
4	GB/T9074.13-1988	hex bolt M6x12	8
5	KC21-02C-01	short wire	1
6	KC40-28	pulley	1
7	KC21-02-2	shaft bushing	1
8	GB/T5780-2000	hex bolt M6x20	1
9	KC21-02C-02A	box assembly	1
10	GB/T9074.17-1988	hex bolt M8x20	4
11	KC21-02C-03	engine seat	1
12	DIN6927	hex screw M8	4
13	LC170F	engine	1
14	3LXP825	belt	1
15	KC21-02C-04	primary sheave	2
16	KC21-02C-05	primary sheave washer	6
17	GB/T5287-2002	big washer 8	1
18	GB/T5786-2000	hex bolt M8x1x30	1
19	GB/T5780-2000	hex bolt M8x40	4
20	GB/T95-2002	washer 8	1
21	KC21-02-05	gear adjust plate	1
22	GB/T9074.17-2000	hex bolt M6x20	2
23	KC21-02-06A	gear connector	1
24	GB/T5780-2000	hex bolt M8x20	3
25	KC21-02-34	pad	1
26	KC90-02-07	plastic shaft bushing	3
27	KC55-02-05	fork	1
28	GB/T9074.13-1988	hex bolt M8x16	4

29	KC90-02-11	bearing seat	2
30	GB/T899.1-200	hex screw M8	3
31	GB/T276-1997	ball bearing 6304	2
32	KC21-02C-06B	13" driving shaft	1
33	GB/T879.2-2000	spring pin $\phi$ 6x30	1
34	GB/T1905-2003	parallel key 6x6x22	1
35	KC21-02C-07	differential	1
36	KC21-02C-08	shaft bushing	1
37	GB894.2-86	spring washer 20	1
38	KCW-03	D pin 6x40	2
39	GB/T9074.13-1988	hex bolt M6x16	14
40	KC21-02-33	bearing seat	2
41	GB/T276-1994	ball bearing 6000-ZN	2
42	KC21-02-24	hex shaft	1
43	GB/T894.1-1986	spring washer 25	1
44	KC21-02-13	shaft	1
45	KC21-02-12B	rubber pulley seat	1
46	KC21-02-11A	rubber pulley	1
47	KC21-02-25	gear	1
48	KC55-02-21A	small tension pulley	1
49	GB/T5780-2000	hex bolt M8x30	2
50	KC55-02-21	small tension pulley	1
51	KCM24-02C-18	tension connector	1
52	GB/T955-1987	spring washer $\phi$ 12	1
53	KC21-02C-09	fixex block	1
54	KC21-02C-10	small tension plate	1
55	KC21-02C-11	big tension plate assembly	1
56	KC90-02-15	spring	1
57	KC21-02C-12	brake spring	1
58	KC21-02C-13	belt pulley	1
59	KC90-02-12	bearing seat	2
60	GB/T276-1997	ball bearing 6002	2
61	GB/T9074.13-1988	hex bolt M8x16	2
62	KC90-02-31	strut bar	1
63	KC55-02-10	spacer bush	2
64	S03*00493	B pin $\phi$ 1.5X25	1
65	KC21-02C-14	connecting plate assembly	1
66	KC21-02C-17	spring	1
67	KC21-02C-15	bracket for fric disc	1
68	GB/T899.1-2000	hex screw M12	1
69	KC55-02-40	strut bar	2
70	KC21-02C-16A	bottom plate	1
71	KC21-02-27	wheel hub	2



Line#	Part No.	English Description	Qty
1	KCB31-01	panel	1
2	GB/T12-1988	bolt M8x35	4
3	GB/T889.1-2000	hex locking nut M8	6
4	KC21-03-02R	handle	1
5	KC21-03C-2	handle screw	2
6	KC21-03C-08	handle pad	2
7	KC21-03C-01	long wire	2
8	S03*00493	B pin	3
9	KC21-03C-04	right control handle	1
10	GB/T 6183.1-2000	hex locking nut M6	2
11	KC21-03C-05	handle	2
12	KC21-03C-06	left control handle	1
13	KC21-03-02L	left handle	1
14	KCM24-04(M4)-2	control handle	2

15	KC55-03-06	wire pin	1
16	GB/T 889.1-2000	hex locking nut M6	1
17	GB/T 5780-2000	hex bolt M6x16	1
18	s07*00447	washer 8x22x2	4
19	KC55-03-04	spring	2
20	GB/T 5780-2000	hex bolt M8x35	2
21	KCB31-33A	starting connecting rod	1
22	KC55-29	spring clamp	1
23	GB/T95-2002	washer 8	1



Line#	Part No.	English Description	Qty
1	1106234	black handle	4
2	GB/T846-1985	screw ST4.2x16	4
3	KCB31-29B	push plate	1
4	KCB31-28B	plate	1
5	KCB31-30B	rubber plate	1
6	GB/T5787-1986	hex bolt M8x16	4
7	GB/T 845-1985	screw ST4.2x16-F	4
8	GB/T 889.1-2000	hex locking bolt M8	4
9	KCB31-31B	collecting box	1
10	GB/T 889.1-2000	hex locking nut M5	8
11	AD02000009	2" universal wheel	2