



MASALTA[®]



PARTS LIST

TAMPING RAMMER

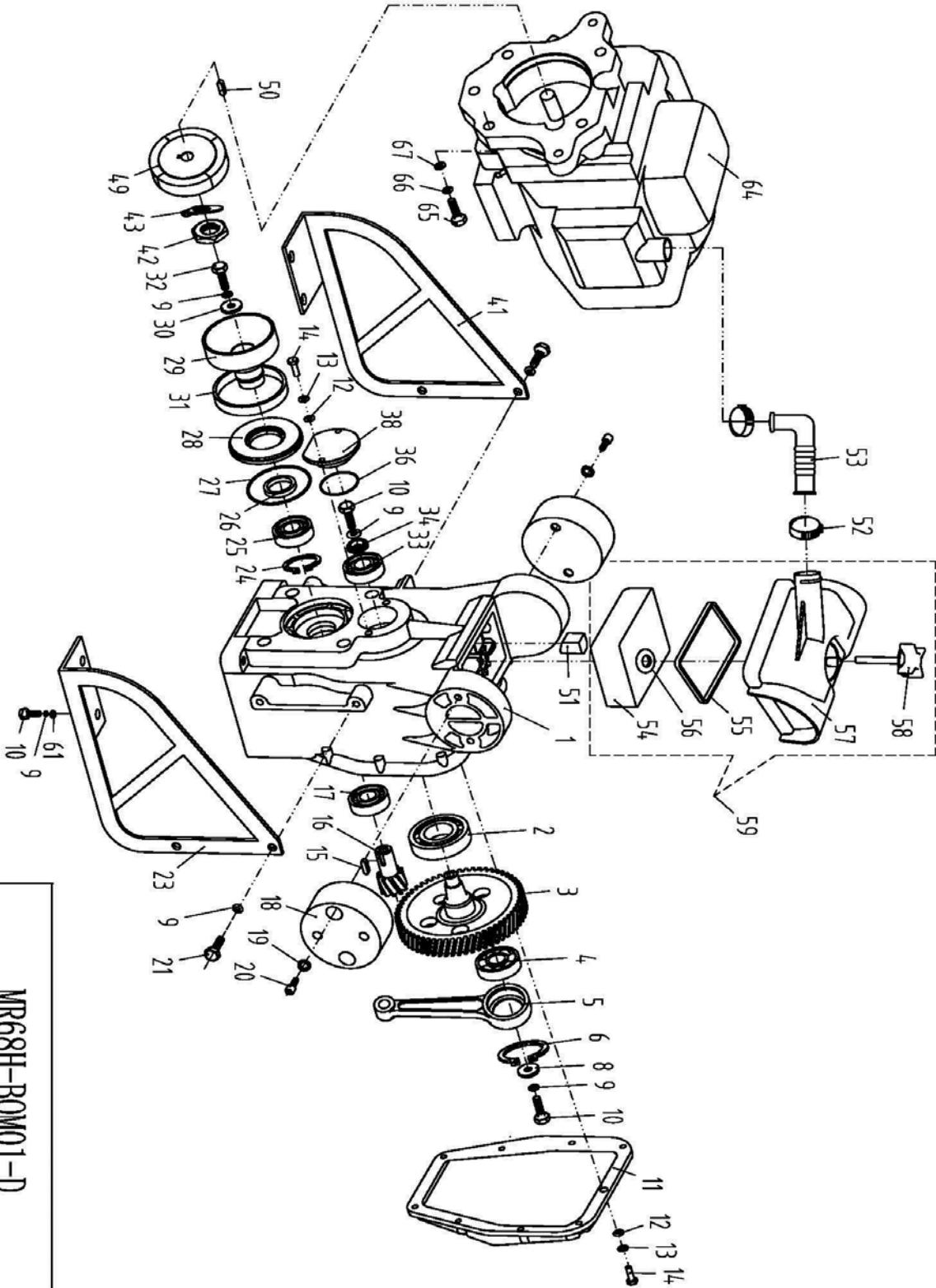
MR68H



PARTS LIST 1 MR68H SERIES

GEARBOX CASING ASSEMBLY

MR68H-BOM01-D



MR68H-BOM01-D

PARTS LIST 1

MR68H SERIES

GEARBOX CASING ASSEMBLY

MR68H-BOM01-D

ITEM NO.	PART NO.	DESCRIPTION	ERP NO.	QTY	REMARK
1	MRS80-804100D-A	CRANK CASE	40901017	1	FOR GX100 KRSB ENGINE
	MRS80-804100D-B	CRANK CASE	40901018	1	FOR GX100 KRB4 ENGINE
2	GB276-6207	BEARING 6207-GB276	21001062	1	
3	MRS80-804101A	CRANK GEAR	40601001	1	
4	GB276-6304	BEARING 6304-GB276	21001066	1	
5	MRS80-804301B	CONNECTING ROD	40407001	1	
6	GB893.1-52	RETAINING RING 52-GB893.1	20602008	1	
8	MRS80-804302	RETAINING RING	40504003	1	
9	GB93-8	SPRING WASHER 8-GB93	20509006	15	
10	GB5783-M8x25	BOLT M8X25-GB5783	20102102	6	
11	MRS80-804002C	GEAR COVER	40903020	1	FOR MR68H MASALTA
	MRS80-804002C-Z	GEAR COVER	40903021	1	FOR MR68H NEUTRAL
12	GB97.1-6	WASHER 6-GB97.1	20501005	11	
13	GB93-6	SPRING WASHER 6-GB93	20509004	11	
14	GB5783-M6x20	BOLT M6X20-GB5783	20102054	11	
15	GB1096-5x20	KEY 5X20-GB1096	20901053	1	
16	MRS80-804201B	GEAR SHAFT	40602001	1	
17	GB276-6204	BEARING 6204-GB276	21001059	1	
18	MRS80-806000	VIBRATION DAMPER	41201001	2	
19	GB93-10	SPRING WASHER 8-GB93	20509008	4	
20	GB70.1-M10x20	BOLT M10X20-GB70	20306150	4	
21	GB5783-M8x20	BOLT M8X20-GB5783	20102101	4	
23	MRS80-805002.R	PROTECTION FRAME, RIGHT FOR HONDA3	40207008	1	
24	GB894.1-35	RETAINING RING 35-GB894.1	20601014	1	
25	GB276-6007Z	BEARING 6007Z-GB276	21001052	1	
26	GB13871-FB40x52x8	SEAL 40X52X8-F GB13871	21106002	1	
27	GB3452.1-95x3.1	O-RING 95X3.1-GB3452.1	21101100	1	
28	MRS80-808000C	SPACE	40501001	1	
29	MRS80-807000A	CLUTCH DRUM	40506001	1	
30	MRS80-804202	RETAINING RING	40504001	1	
31	MRS80-808001	LOCATING SLEEVE	40504070	1	ONLY FOR GX100 KRB4 ENGINE

PARTS LIST 1

MR68H SERIES

GEARBOX CASING ASSEMBLY

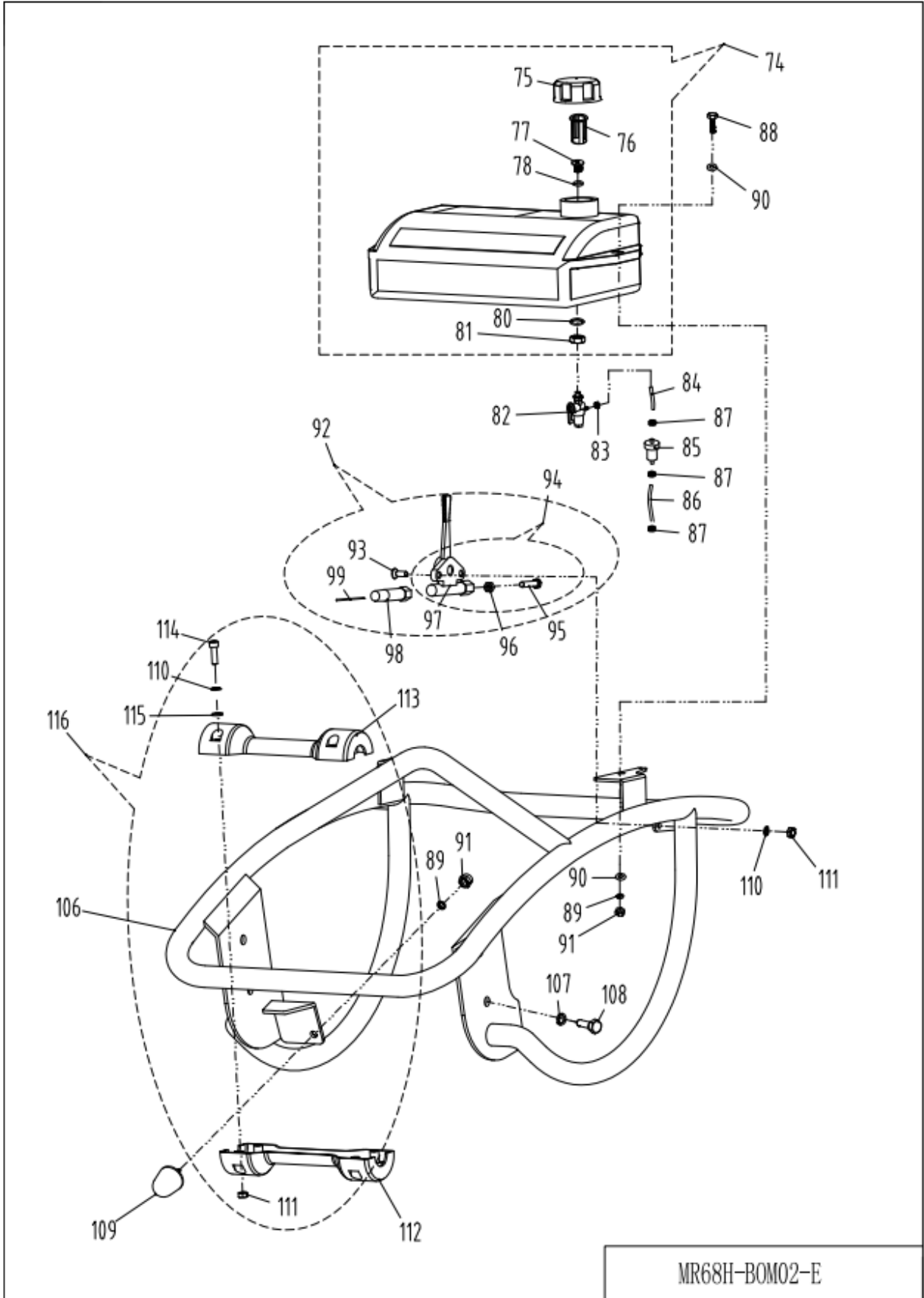
MR68H-BOM01-D

ITEM NO.	PART NO.	DESCRIPTION	ERP NO.	QTY	REMARK
32	GB5783-M8x30	BOLT M8X30-GB5783	20102105	1	
33	GB276-6204	BEARING 6204-GB276	21001059	1	
34	MRS80-804102	RETAINING RING	40504002	1	
36	GB3452.1-43.7x1.8	O-RING 43.7X1.8-GB3452.1	21101004	1	
38	MRS80-804004	BEARING COVER	40502001	1	
41	MRS80-805002.L	PROTECTION FRAME, LEFT	40207007	1	
42	GB6173-M12x1.25	NUT M12X1.25 GB6173	20407002	1	
43	MRS80-809006	WASHER	40504008	1	
49	MRS80-809000B	CLUTCH ASSY. (CHINESE)	50101011	1	
50	DIN6888-4x5	KEY 4X12	20902001	1	
51	MRS80-804405	ELEMENT	41402002	1	
52	DSHK-20-32 (9)	HOSE CLAMP 20-32	41406012	2	
53	MRS80-000001W	INTAKE PIPE	41204011	1	
54	MRS80-804403	AIR CLEANER ELEMENT	41402001	1	
55	MRS80-804404	PACKING, AIR CLEANER	41204001	1	
56	GB3452.1-7.5x1.8	O-RING 7.5X1.8-GB3452.1	21101002	1	
57	MRS80-804401	AIR CLEANER COVER	41205001	1	
58	MRS80-804402	KNOB	41205002	1	
59	MRS80-804400	AIR CLEANER ASSY.	50201017	1	59 (54~58)
61	GB97.1-8	WASHER 8-GB97.1	20501007	4	
64	GX100RT-KRSB	HONDA ENGINE GX100 KRSB &KR4	41401009	1	
	GX100RT-KRB4	HONDA ENGINE GX100 KRB4	41401007	1	
65	GB5783-M8x40	BOLT M8X40-GB5783	20102107	4	FOR GX100 KRSB ENGINE
	GB5783-M10x40	BOLT M10X40-GB5783	20102156	4	FOR GX100 KRB4 ENGINE
66	GB93-8	SPRING WASHER 8-GB93	20509006	4	FOR GX100 KRSB ENGINE
	GB93-10	SPRING WASHER 10-GB93	20509008	4	FOR GX100 KRB4 ENGINE
67	GB97.1-8	WASHER 8-GB97.1	20501007	4	FOR GX100 KRSB ENGINE
	GB97.1-10	WASHER 10-GB97.1	20501009	4	FOR GX100 KRB4 ENGINE

PARTS LIST 2
MR68H SERIES

FUEL TANK AND ARM REST ASSEMBLY

MR68H-BOM02-E



MR68H-BOM02-E

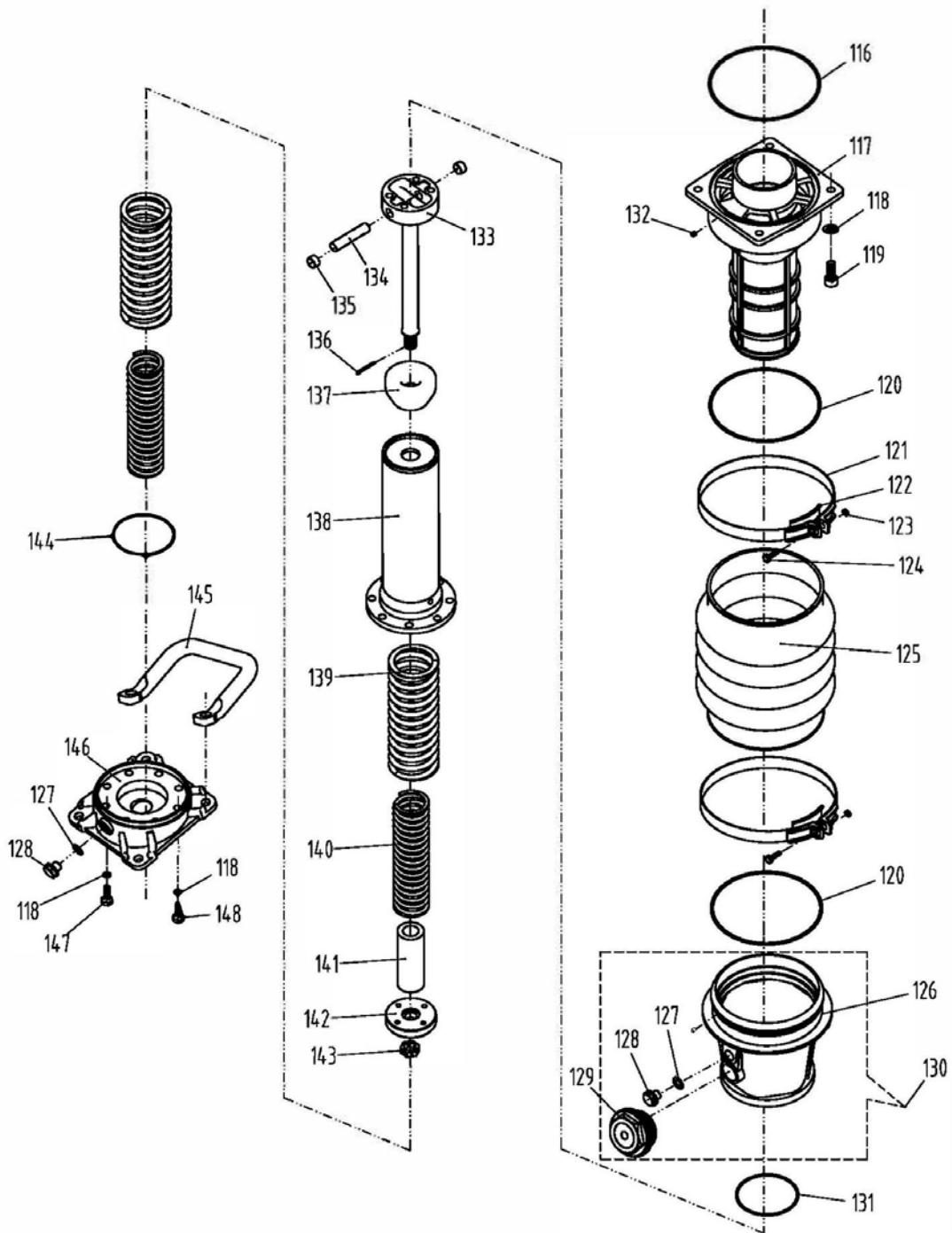
PARTS LIST 2 MR68H SERIES

FUEL TANK AND ARM REST ASSEMBLY MR68H-BOMO2-E

ITEM NO.	PART NO.	DESCRIPTION	ERP NO.	QTY	REMARK
74	MRS80-801000W	TANK ASSY FUEL	50201018	1	
75	MRS80-801002N	TANK CAP	40903075	1	
76	MRS80-801007A	OIL STRAINER	41402007	1	
77	MRS80-801006	CONNECTOR	41101001	1	
78	GB3452.1-14x3.55	O-RING 14X3.55-GB3452.1	21101150	1	
79	MRS80-801001N	TANK	41206022	1	
80	GB97.1-14	WASHER 14-GB97.1	20501012	1	
81	GB6173-M14x1.5	NUT M14X1.5-GB6173	20407003	1	
82	MRS80-801009W	FUEL COCK	41403001	1	
83	MRS80-801011W	HOSE CLAMP	41406003	1	
84	MRS80-801100W	FUEL HOSE (L1=100)	41001112	1	FOR GX100 KRSB ENGINE
	MR85D-801250W	FUEL HOSE (L=250)	41001227	1	FOR GX100 KRB4 ENGINE
85	MRS80-801010W	OIL STRAINER	41402006	1	FOR GX100 KRSB ENGINE
86	MRS80-801200W	FUEL HOSE (L2=200)	41001113	1	FOR GX100 KRSB ENGINE
87	MRS80-801011AW	TANK ASSY.	41406004	3	GX100 KRSB WITH THREE, GX100KRB4 WITH ONE
88	GB5783-M8x30	BOLT M8X30-GB5783	20102105	2	
89	GB93-8	SPRING WASHER 8 GB93-8	20509006	3	
90	GB97.1-8	WASHER 8 GB97.1	20501007	4	
91	GB889.1-M8	NUT M8 GB889.1	20405004	3	
92	MRS80-9910A	THROTTLE CONTROL ASSY.	41403005	1	92 (94 , 98 , 99 ,)
93	GB70.3-M6x16	BOLT M6X16 GB70.3	20308051	2	
94	MRS80-9910A-01W	THROTTLE CONTROL HANDLE COMPONENTS.	50201011	1	94 (95 , 96 , 97)
95	GB5783-M6x30	BOLT M6 X30	20102056	1	
96	GB6170-M6	NUT M6 GB6170	20401003	1	
97	MRS80-9910A-02W	THROTTLE CONTROL HANDLE	21302008	1	
98	MRS80-9910A-03W	THROTTLE WIRE	40101052	1	
99	MRS80-9910A-04W	THROTTLE SWITCH SLEEVE	49904014	1	
106	MRS80-805001F	HANDLE COMPONENTS	50501005	1	
107	GB93-10	SPRING WASHER 10	20509008	4	
108	GB5783-M10x20	BOLT M10X20	20102150	4	
109	MRS80-805004	RUBBER	41202003	1	
110	GB93-6	SPRING WASHER 6	20509004	4	
111	GB6170-M6	NUT M6 GB6170	20401003	4	
112	MRS80-805011-1	ROLLER	41201043	1	116 (110, 111, 112, 113, 114, 115) ONLY FOR GX100 KRSB ENGINE
113	MRS80-805011-2	ROLLER	41201187	1	
114	GB70.1-M6x20	BOLT MX20 GB70.1	20306053	4	
115	GB97.1-6	WASHER 6 GB97.1	20501005	4	
116	MRS80-805011.ZJ	ROLLER ASSY	50607001	1	

PARTS LIST 3
MR68H SERIES

DOWN CYLINDER ASSY
MR68H-BOM03-D



MR68H-BOM03-D

PARTS LIST 3

MR68H SERIES

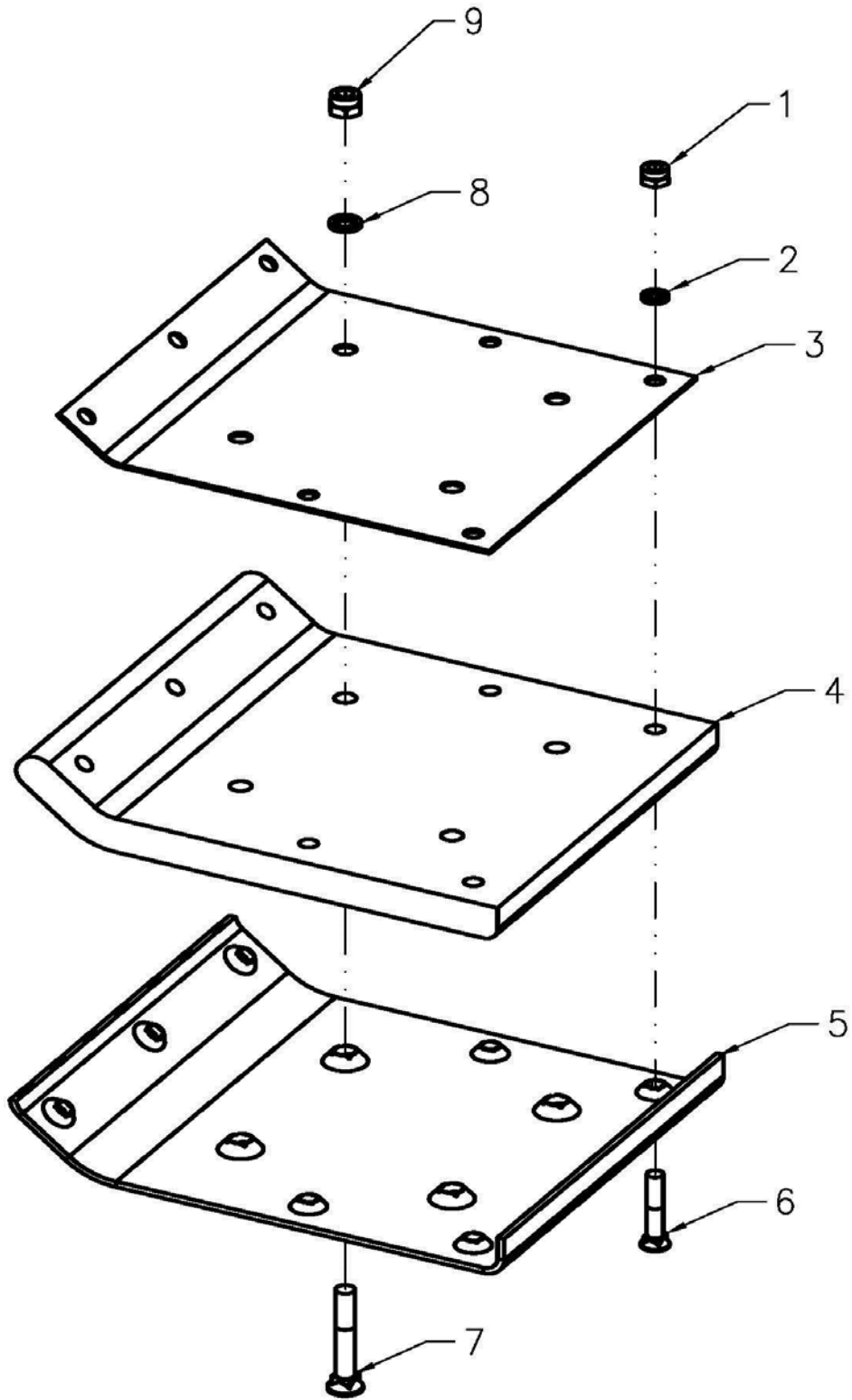
DOWN CYLINDER ASSY

MR68H-BOM03-D

ITEM NO.	PART NO.	DESCRIPTION	ERP NO.	QTY	REMARK
116	GB3452.1-160x5.3	O-RING 160X5.3-GB3452.1	21101200	1	
117	MRS80-803201B	GUIDE CYLINDER	40505001	1	
118	GB93-10	SPRING WASHER 10-GB93	20509008	12	
119	GB5783-M10X35	BOLT M10X35-GB5783	20102155	4	
120	GB3452.1-160x3.55	O-RING 160X3.55-GB3452.1	21101153	2	
121	MRS80-803204D	BELLOW CLAMP	40101001	2	
122	MRS62-3204C-04	SCALEBOARD	40102001	2	
123	GB6170-M8	NUT M8 GB6170	20401004	2	
124	GB5783-M8X40	BOLT M8X40-GB5783	20102107	2	
125	MRS80-803203	BELLOW	41205003	1	
126	MRS80-803111E	PROTECTION SLEEVE	40505002	1	
127	JB89-14	COPPER WASHER 14	21105004	1	
128	MRS80.GZ01	PLUG M14X1.5	40401001	1	
129	GB1160.2-M24x1.5	LEVEL GAUGE M24X1.5-GB1160.2	21110002	1	
130	MRS80-803112W	PROTECTION SLEEVE COMPONENTS	50201012	1	130 (126~129)
131	GB3452.1-95x2.65	O-RING 95X2.65-GB3452.1	21101055	1	
132	MRS80-803202	PIN	40402001	2	
133	MRS80-803301A	PISTON ROD	40406001	1	
134	MRS80-803302	PISTON PIN	40402002	1	
135	MRS80-803306	PISTON END CAP	41201038	2	
136	GB91-3.2x36	PIN 3.2X36 GB91	20805050	1	
137	MRS80-803304	STOPPER, UPPER	41202001	1	
138	MRS80-803102A	SPRING CYLINDER	40505004	1	
139	MRS80-803001D	SPRING, OUTER	40103002	2	
140	MRS80-803002D2	SPRING, INNER	40103001	2	
141	MRS80-803305	STOPPER, LOWER	41201040	1	
142	MRS80-803303A	PISTON END	40705001	1	
143	GB6178-M18x1.5	NUT M18X1.5-GB6178	20410001	1	
144	GB3452.1-87.5x3.55	O-RING 87.5X3.55-GB3452.1	21101152	1	
145	MRS80-802006B	LIFTING HOOK	41003002	1	
146	MRS80-803101D	FOOT PLATE	40804001	1	
147	GB70.1-M10x20	BOLT M10X20-GB70	20306150	4	
148	GB70.1-M10x40	BOLT M10X40-GB70	20306158	4	

PARTS LIST 4
MR68H SERIES

FOOT COMPONENTS



PMR70HN-BOM06-B

PARTS LIST 4
MR68H SERIES

FOOT COMPONENTS

ITEM NO.	PART NO.	DESCRIPTION	ERP NO.	QTY	REMARK
1	GB889.1-M10	HEXAGONAL NUT M10-GB889	20405006	7	
2	GB93-10	SPRING WASHER 10-GB93	20509008	7	
3	PMR70RN.09-01	RAM PANEL	40207011	1	
4	PMR70RN.09-02	CRASH PAD	40207012	1	
5	PMR70RN.09-03	RAM PLATE	40207013	1	
6	MRS80-802005A	BOLT M10 X 52	20103005	7	
7	MRS80-802004A-70	BOLT M12 X 70	20103004	4	
8	GB93-12	SPRING WASHER 12	20509009	4	
9	GB889.1-M12	SPRING WASHER 12	20405007	4	



Distributed By



MASALTA ENGINEERING CO., LTD

Add: 20 Dalian Road, Baohe Industrial Estate, Hefei, China

Tel: 86-551-64846600, 64846601 Fax: 86-551-64846616

E-mail: sales@masalta.com.cn, masalta@mail.hf.ah.cn,

[Http://www.masalta.com.cn](http://www.masalta.com.cn)