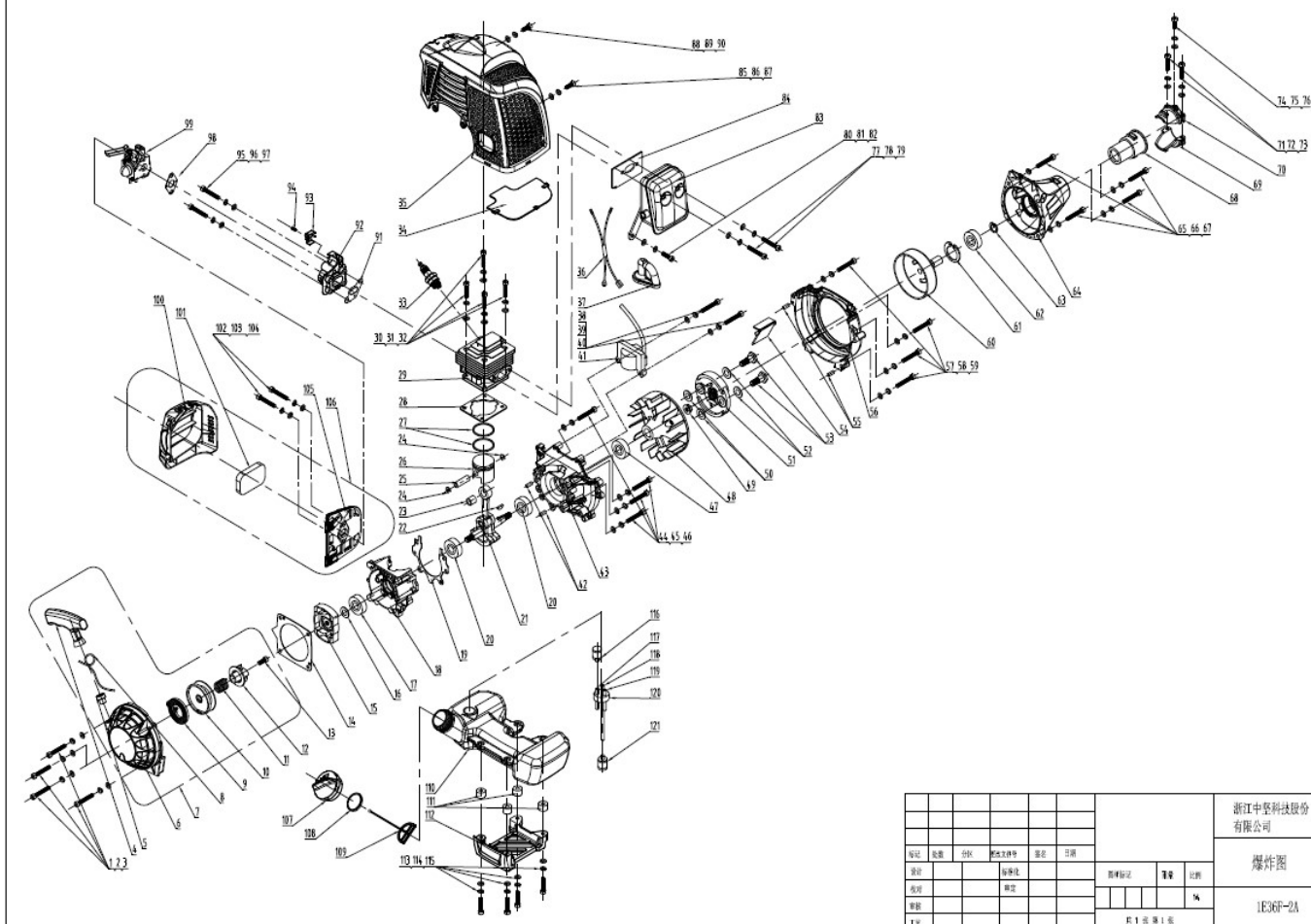


1E36F-2A GASOLINE ENGINE

1E36F-2A GASOLINE ENGINE



No.	Parts Code	Description	Qty
1	GB/T2671.2	screw M5x20	2
2	GB/T2671.2	screw M5x25	2
3	A62.0110.0002	start grip	1
4	A25.0110.0101	eyelet	1
5	C43.1110.0200	start housing	1
6	C43.1110.0000	start assembly	1
7	C43.1110.0001	start rope	1
8	C43.1110.0003	coil spring	1
9	C43.1110.0002	start pulley	1
10	C43.1110.0004	spring. Start	1
11	C43.1110.0005	ratchet wheel	1
12	GB/T9074.19	ST screw 4.8x19	1
13	GB/T9074.19	plate washer 5x16x1	1

14	C43.1101.0003	starter gasket	1
15	GB/T6175	nut M8	1
16	C43.0101.0200	start reel	1
17	GB/T97.1	flat washer 8	1
18	A38.0302.0200	OIL-SEAL 12x22x7	1
19	C33.0102.0002	crank case RH side	1
20	C33.0102.0003	gasket \ Crank case	1
21	GB/T276	ball bearing 6201	2
22	C33.1103.0100	crank shaft ass'y	1
23	GB/T1099	key 3x5x13	1
24	C33.0103.0300	bearing	1
25	C33.0103.0003	circlip \ Piston pin	2
26	C33.0103.0002	piston pin	1
27	C33.0103.0200	piston	1
28	C33.0103.0001	piston ring	2
29	C33.0101.0002	gasket \ Cylinder	1
30	C33.1101.0001	cylinder	1
31	GB/T2671.2	screw M5x20 \ Cylinder	4
32	A45.0106.0500	Spark Plug	1
33	C33.1101.0004	top housing	1
34	C33.0106.0200	wire	1
35	C43.1106.0001	Spark Plug cover	1
36	GB/T2671.2	screw M5x25 . Ignition	2
37	C33.0106.0100	ignition	1
38	GB/T119.2	pin $\phi 5 \times 10$	2
39	C33.0102.0001	crank case LH side	1
40	GB/T2671.2	screw M5x30 \ Crank case	4
41	A38.0302.0200	OIL-SEAL 12x22x7	1
42	C33.0106.0300	magneto rotor	1
43	GB/T6187	flange nut M8	1
44	C43.0101.0009	flat washer 8x16x1.5	2
45	C43.1101.0400	clutch assembly	1
46	GB/T755	washer 10	2
47	C43.0101.0008	bolt \ clutch	2

48	C33.0101.0006	plastic plate	1
49	GB/T119.2	pin $\phi 5 \times 10$	2
50	C33.1102.0001	fan cover	1
51	GB/T2671.2	screw M5x20	4
52	C43.0108.0100	clutch drum	1
53	GB/T893.1	circlip 35	1
54	GB/T276	ball bearing 6202-2z	1
55	GB/T894.1	circlip 15	1
56	C33.1108.0101	clutch drum housing	1
57	GB/T2671.2	screw M6x20	4
58	C43.0108.0002	rubber	1
59	C43.0108.0004	clamp RH	1
60	C43.0108.0003	clamp LH	1
61	GB/T2671.2	screw M5x25	2
62	GB/T2671.2	screw M5x12	1
63	GB/T2671.2	screw M5x60 . Muffler	2
64	GB/T2671.2	screw M5x12 . Muffler	1
65	C33.1101.0002		1
66	C33.1105.0100/0200	muffler	1
67	C33.1101.0005	gasket . Muffler	1
68	C33.0101.0005	gasket . Muffler	1
69	GB/T2671.2	screw M5x12	1
70	GB/T2671.2	screw M4x12	1
71	C33.0101.0003	gasket	1
72	C33.1101.0100	admitting pipe	1
73	C43.1101.0007	stamping	1
74	GB/T845	ST screw 3.5x9.5	1
75	GB/T2671.2	screw M5x22	2
76	A38.0301.0010	gasket . carburetor	1
77	C33.1101.0200	carburetor	1
78	C33.1104.0000	air box assembly	1
79	C43.1104.0001	air box base	1
80	GB/T2671.2	screw M5x45	2
81	C43.1104.0003	spone	1

82	C33.1104.0001	air box cover	1
83	C43.1107.0101	fuel tank cover	1
84	C43.1107.0103	gasket rubber	1
85	C43.1107.0102		1
86	C33.1107.0001	fuel tank ass'y	1
87	C43.1107.0002	rubber bump	4
88	C33.1101.0003	fuel tank housing	1
89	GB/T2671.2	screw M5x25 fuel tank	4
90	A45.0111.0200		1
91	C43.1107.0006	air tube	1
92	C43.1107.0004	fuel tube	1
93	C43.1107.0005	return tube	1
94	C43.1107.0003	retainer . fuel tube	1
95	A45.0102.0103		1
96	A38.0311.0500	filter fuel	1

TBC331SJ ENGINE UNIT

Ser. NO.	Part No.	DESCRIPTION (CN)	DESCRIPTION (CN)	Qty
1	GB/T70.1	螺钉 M5x20	screw M5x20	4
2	GB/T93	弹簧垫圈5	lock washer 5	4
3	GB/T97.1	平垫圈5	plate washer 5	4
4	YD62.02.00-3	启动手柄	start grip	1
5	YD25.02.01-2	拉绳护套	eyelet	1
6	TBC431D.01.12.02-00	启动器体	start housing	1
7	TBC431D.01.12.00-00	启动器总成	start assembly	1
8	TBC430D.01.12.00-2	启动拉绳	start rope	1
9	TBC430D.01.12.00-4	启动盘簧	coil spring	1
10	TBC431D.01.12.00-3	盘簧盖	start pulley	1
11	TBC430D.01.12.00-5	启动扭簧	spring. Start	1
12	TBC431D.01.12.00-6	启动轮	ratchet wheel	1
13	GB/T9074.19	自攻螺钉和大垫圈组合	ST screw 4.8x13	1
14	TBC430D.01.00.00-6	启动器铝垫	starter gasket	1
15	TBC430D.01.00.02-00	启动拨盘部件	start reel	1
16	GB/T97.1	平垫圈8	flat washer 8	1
17	YD38-3.01.01.02-00	油封 12x22x7	OIL-SEAL 12x22x7	1

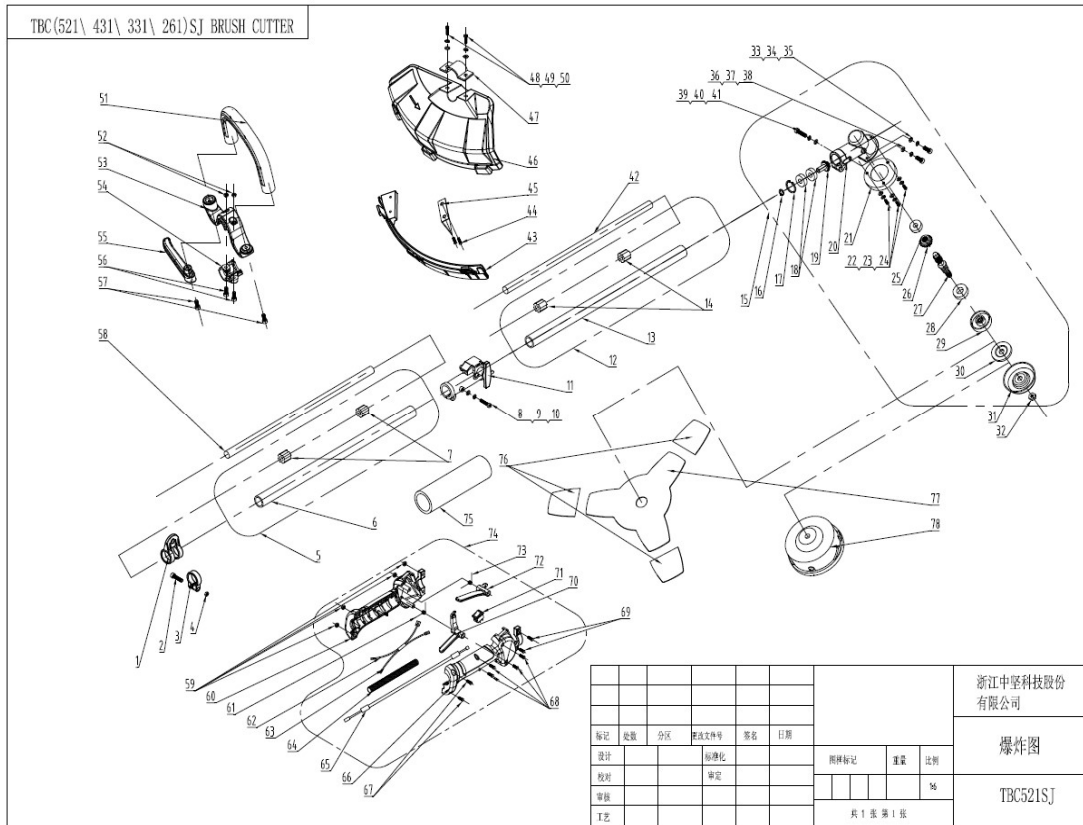
18	TBC330D.01.01.00-2	右箱体	crank case RH side	1
19	TBC330D.01.01.00-3	箱体密封垫	gasket \ Crank case	1
20	GB/T276	轴承6201 12x32x10	ball bearing 6201	2
21	TBC330D.01.03.01-00	曲轴连杆部件	crank shaft ass'y	1
22	GB/T1099	半圆键 3x5x13	key 3x5x13	1
23	TBC330D.01.03.03-00	滚针轴承	bearing	1
24	TBC330D.01.03.00-3	活塞销卡簧	circlip \ Piston pin	2
25	TBC330D.01.03.00-2	活塞销	piston pin	1
26	TBC330D.01.03.02-00	活塞	piston	1
27	TBC330D.01.03.00-1	活塞环	piston ring	2
28	TBC330D.01.00.00-2	汽缸密封垫	gasket \ Cylinder	1
29	TBC330D.01.00.00-1	汽缸	cylinder	1
30	GB/T70.1	螺钉 M5x20	screw M5x20 \ Cylinder	4
31	GB/T93	弹簧垫圈5	lock washer 5	4
32	GB/T97.1	平垫圈5	plate washer 5	4
33	YD45.01.11.04-00	火花塞	Spark Plug	1
34	TBC331D.01.00.00-7	隔热板	plastic palte	1
35	TBC331D.01.00.00-9	汽缸罩	top housing	1
36	TBC330D.01.11.02-00	熄火导线	wire	1
37	TBC430D.01.11.00-1	火花塞帽	Spark Plug cover	1
38	GB/T70.1	螺钉M5x25	screw M5x25 . Ignition	2
39	GB/T93	弹簧垫圈5	lock washer 5	2
40	GB/T97.1	平垫圈5	plate washer 5	2
41	TBC330D.01.11.01-00	点火器	ignition	1
42	GB/T119.2	销 $\phi 5 \times 10$	pin $\phi 5 \times 10$	2
43	TBC330D.01.01.00-1	左箱体	crank case LH side	1
44	GB/T70.1	螺钉M5x30	screw M5x30 \ Crank case	4
45	GB/T93	弹簧垫圈5	lock washer 5	4
46	GB/T97.1	平垫圈5	plate washer 5	4
47	YD38-3.01.01.02-00	油封 12x22x7	OIL-SEAL 12x22x7	1
48	TBC430D.01.10.00-00	飞轮总成	magneto rotor	1
49	GB/T6187	法兰螺母 M8	flange nut M8	1
50	TBC430D.01.00.00-9	垫圈 8x16x1.5	flat washer 8x16x1.5	2
51	TBC430D.01.00.04-00	蹄块部件	clutch assembly	1

52	GB/T755	波型垫圈 10	washer 10	2
53	TBC430D.01.00.00-8	蹄块螺栓	bolt \ clutch	2
54	TBC330D.01.00.00-6	导风板	plastic plate	1
55	GB/T119.2	销 $\phi 5 \times 10$	pin $\phi 5 \times 10$	2
56	TBC331D.01.01.00-4	边盖	fan cover	1
57	GB/T70.1	螺钉M5x20	screw M5x20	4
58	GB/T93	弹簧垫圈5	lock washer 5	4
59	GB/T97.1	平垫圈5	plate washer 5	4
60	TBC430D.01.14.01-00	被动盘部件	clutch drum	1
61	GB/T893.1	孔用弹性挡圈35	circlip 35	1
62	GB/T276	轴承6202-2z 15x35x11	ball bearing 6202-2z	1
63	GB/T894.1	轴用弹性挡圈15	circlip 15	1
64	TBC331D.01.14.00-1	输出座	clutch drum housing	1
65	GB/T70.1	螺钉M6x20	screw M6x20	4
66	GB/T93	弹簧垫圈6	lock washer 6	4
67	GB/T97.1	平垫圈6	plate washer 6	4
68	TBC430D.01.14.00-2	输出座减震套	rubber	1
69	TBC430D.01.14.00-4	右半圆夹板	clamp RH	1
70	TBC430D.01.14.00-3	左半圆夹板	clamp LH	1
71	GB/T70.1	螺钉M5x25	screw M5x25	2
72	GB/T93	弹簧垫圈5	lock washer 5	2
73	GB/T97.1	平垫圈5	plate washer 5	2
74	GB/T70.1	螺钉M5x12	screw M5x12	1
75	GB/T93	弹簧垫圈5	lock washer 5	1
76	GB/T97.1	平垫圈5	plate washer 5	1
77	GB/T70.1	螺钉M5x55	screw M5x55 . Muffler	2
78	GB/T93	弹簧垫圈5	lock washer 5	2
79	GB/T97.1	平垫圈5	plate washer 5	2
80	GB/T70.1	螺钉M5x12	screw M5x12 . Muffler	1
81	GB/T93	弹簧垫圈5	lock washer 5	1
82	GB/T97.1	平垫圈5	plate washer 5	1
83	TBC330D.01.09.00-00	消声器	muffler	1
84	TBC330D.01.00.00-5	消声器密封垫	gasket . Muffler	1
85	GB/T70.1	螺钉M5x12	screw M5x12	1

86	GB/T93	弹簧垫圈5	lock washer 5	1
87	GB/T97.1	平垫圈5	plate washer 5	1
88	GB/T70.1	螺钉M4x12	screw M4x12	1
89	GB/T93	弹簧垫圈4	lock washer 4	1
90	GB/T97.1	平垫圈4	plate washer 4	1
91	TBC330D.01.00.00-3	进气管密封垫	gasket	1
92	TBC331D.01.00.01-00	进气管	admitting pipe	1
93	TBC431D.01.00.00-12	油门线压板	stamping	1
94	GB/T845	自攻螺钉ST3.5x9.5	ST screw 3.5x9.5	1
95	GB/T70.1	螺钉M5x20	screw M5x20	2
96	GB/T93	弹簧垫圈5	lock washer 5	2
97	GB/T97.1	平垫圈5	plate washer 5	2
98	TBC331D.01.00.00-4	化油器密封垫	gasket . carburetor	1
99	TBC331D.01.06.00-00	化油器	carburetor	1
100	TBC331D.01.08.00-2	空滤器盖	air box cover	1
101	GJB25D-2.01.08.00-2	滤芯	spone	1
102	GB/T70.1	螺钉M5x55	screw M5x55	2
103	GB/T93	弹簧垫圈5	lock washer 5	2
104	GB/T97.1	平垫圈5	plate washer 5	2
105	TBC431D.01.08.00-1	空滤器座	air box base	1
106	TBC331D.01.08.00-00	空滤器	air box assembly	1
107	TBC431D.01.13.01-1	油箱盖	fuel tank cover	1
108	TBC431D.01.13.01-3	密封垫圈	gasket rubber	1
109	TBC431D.01.13.01-2	防掉板		1
110	TBC331D.01.13.00-1	油箱	fuel tank ass'y	1
111	TBC431D.01.13.00-2	橡胶衬圈	rubber bump	4
112	TBC331D.01.00.00-8	油箱压板	fuel tank housing	1
113	GB/T70.1	螺钉M5x25	screw M5x25 fuel tank	4
114	GB/T93	弹簧垫圈5	lock washer 5	4
115	GB/T97.1	平垫圈5	plate washer 5	4
116	YD45.03.00-5	平衡器体		1
117	TBC431D.01.13.00-6	通气管	air tube	1
118	TBC430D.01.13.00-4	燃油管	fuel tube	1
119	TBC430D.01.13.00-5	回油管	return tube	1

120	TBC431D.01.13.00-3	燃油管座	retainer . fuel tube	1
121	TD38-3.03.04-00	汽油滤体部件	filter fuel	1

TBC331SJ BASIC UNIT



Ser. NO.	Part No.	DESCRIPTION (CN)	Qty
1	TBC430D.03.02-00	harness clamp assembly	1
2	GB/T70.1	screw M5x16	1
3	TBC430D.03.00-2	clamp	1
4	GB/T6170	nut M5	1
5	TBC430DJ.03.02-00	back shaft assembly	1
6	TBC430DJ.03.02-1	back AL tubing	1
7	TBC430D.03.04-00	rubber\ shaft	2
8	GB/T70.1	screw M5x12	1
9	GB/T93	lock washer 5	1
10	GB/T97.1	plate washer 5	1
11	TBC430DJ03.03-00	connector assembly	1
12	TBC430DJ.03.01-00	front shaft assembly	1
13	TBC430DJ.03.01-1	front AL tubing	1
14	TBC430D.03.03-00	rubber\ shaft	2
15	TBC431D.04.00-00	gear box assembly	1
16	GB/T894.1	circlip 10	1
17	GB/T893.1	circlip 26	1

18	GB/T276	ball bearing 6000-2z	2
19	TBC431D.04.00-2	pinion	1
20	TBC431D.04.00-1	gear box	1
21	TBC431D.04.00-7	top guard	1
22	GB/T70.1	screw M5x8	3
23	GB/T93	lock washer 5	3
24	GB/T97.1	plate washer 5	3
25	GB/T276	bearing 6000-2z	1
26	TBC431D.04.00-4	gear	1
27	TBC431D.04.00-3	gear shaft	1
28	GB/T276	ball bearing 6002-2z	1
29	TBC431D.04.00-6	blade retainer	1
30	TBC431D.04.00-5	cap washer	1
31	TBC431D.04.00-8	bottom guard	1
32	GB/T6177.2	flange nut M10x1.25 left	1
33	GB/T70.1	screw M6x12	1
34	GB/T93	lock washer 6	1
35	GB/T97.1	plate washer 6	1
36	GB/T70.1	screw M5x12	1
37	GB/T93	lock washer 5	1
38	GB/T97.1	plate washer 5	1
39	GB/T70.1	screw M6x25	1
40	GB/T93	lock washer 6	1
41	GB/T97.1	plate washer 6	1
42	TBC430DJ.03.00-1	driver shaft	1
43	TBC431D.06.01-1		1
44	GB/T845	ST screw 4.8x13	2
45	TBC431D.06.00-2	cutting blade	1
46	TBC431D.06.02-00	guard	1
47	TBC430D.06.00-1	clamp \ guard	1
48	GB/T70.1	screw M6x20	2
49	GB/T93	lock washer 6	2
50	GB/T97.1	plate washer 6	2
51	TBC431S.05.01-1	front handle	1

52	GB/T6170	nut M5	2
53	TBC431S.05.01-2	handle base	1
54	TBC431S.05.01-3	clamp	1
55	TBC431S.05.01-4	bar	1
56	GB/T70.1	screw M5x25	2
57	GB/T845	ST screw 4.8x19	2
58	TBC430DJ.03.00-1	driver shaft	1
59			
60			
61			
62			
63			
64			
65			
66			
67			
68			
69			
70			
71			
72			
73			
74			
75	TBC430S.02.00-1	foam grip	1
76	TBC430D.02.00-2	blade cover	3
77	TBC430D.02.00-1	blade	1
78	TBC430D.02.01-00	string head assembly	1