

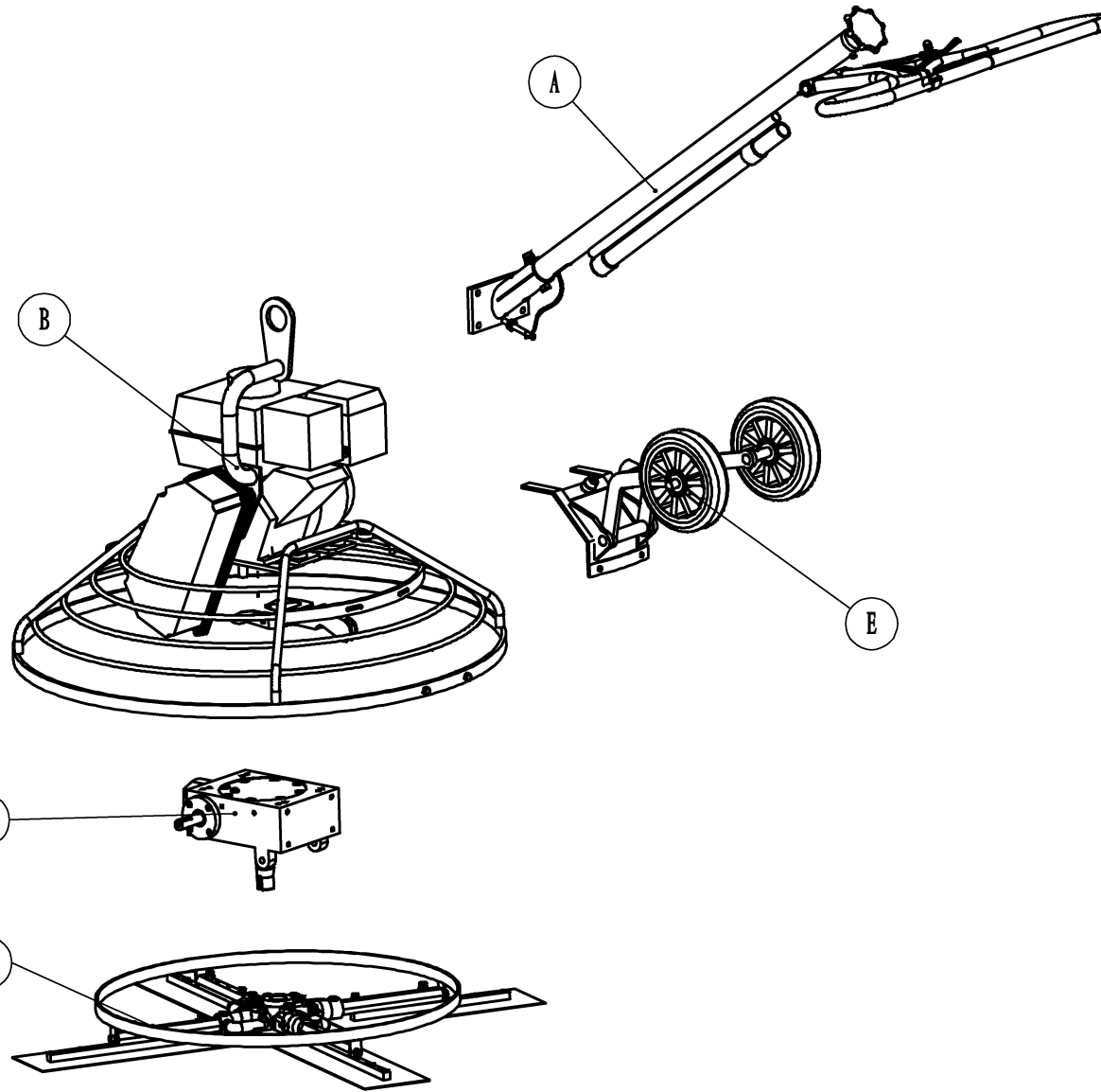


PARTS MANUAL

WALK-BEHIND POWER TROWEL

MT36 MT42 MT46





MT36.42.46-BOM00-A	

A

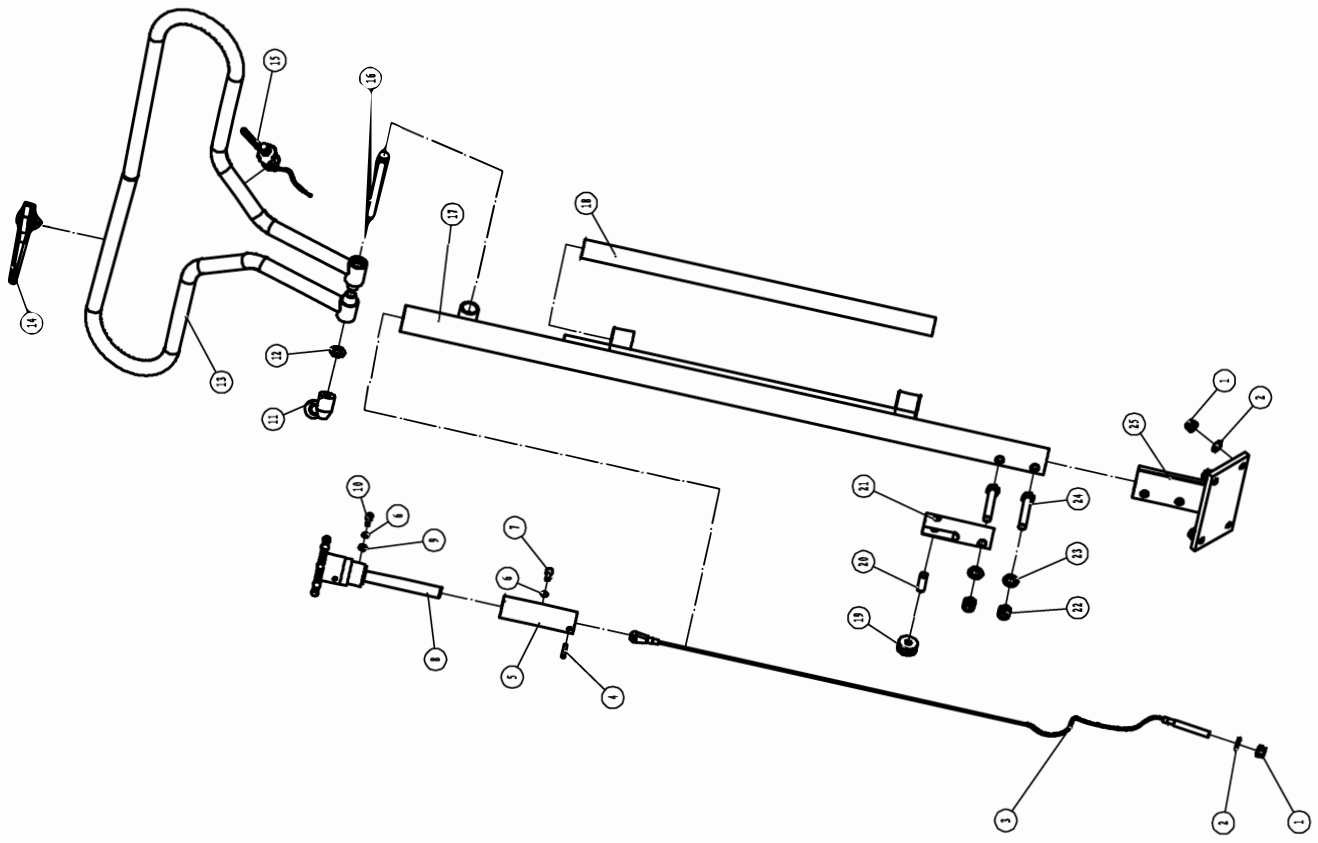
B

PARTS LIST GENERAL
MT36/MT42/MT46

MT36、42、46-BOM00-A

ITEM NO.	PART NO.	DESCRIPTION	QUANTITY	REMARK	ERP NO.
A	MT36	HANDLE ASSY. FOR MT36	1		
	MT42. 46	HANDLE ASSY. FOR MT42/MT46	1		
B	MT36	MAIN BODY ASSY., MT36	1		
	MT42	MAIN BODY ASSY., MT42	1		
	MT46	MAIN BODY ASSY., MT46	1		
C	MT36. 42. 46	REDUCING MECHANISM	1		
D	MT36	SPIDER PLATE ASSY., MT36	1		
	MT42	SPIDER PLATE ASSY., MT42	1		
	MT46	SPIDER PLATE ASSY., MT46	1		
E	MT36	TROLLEY WHEEL	1		

MT36、42、46-BOM01-A	



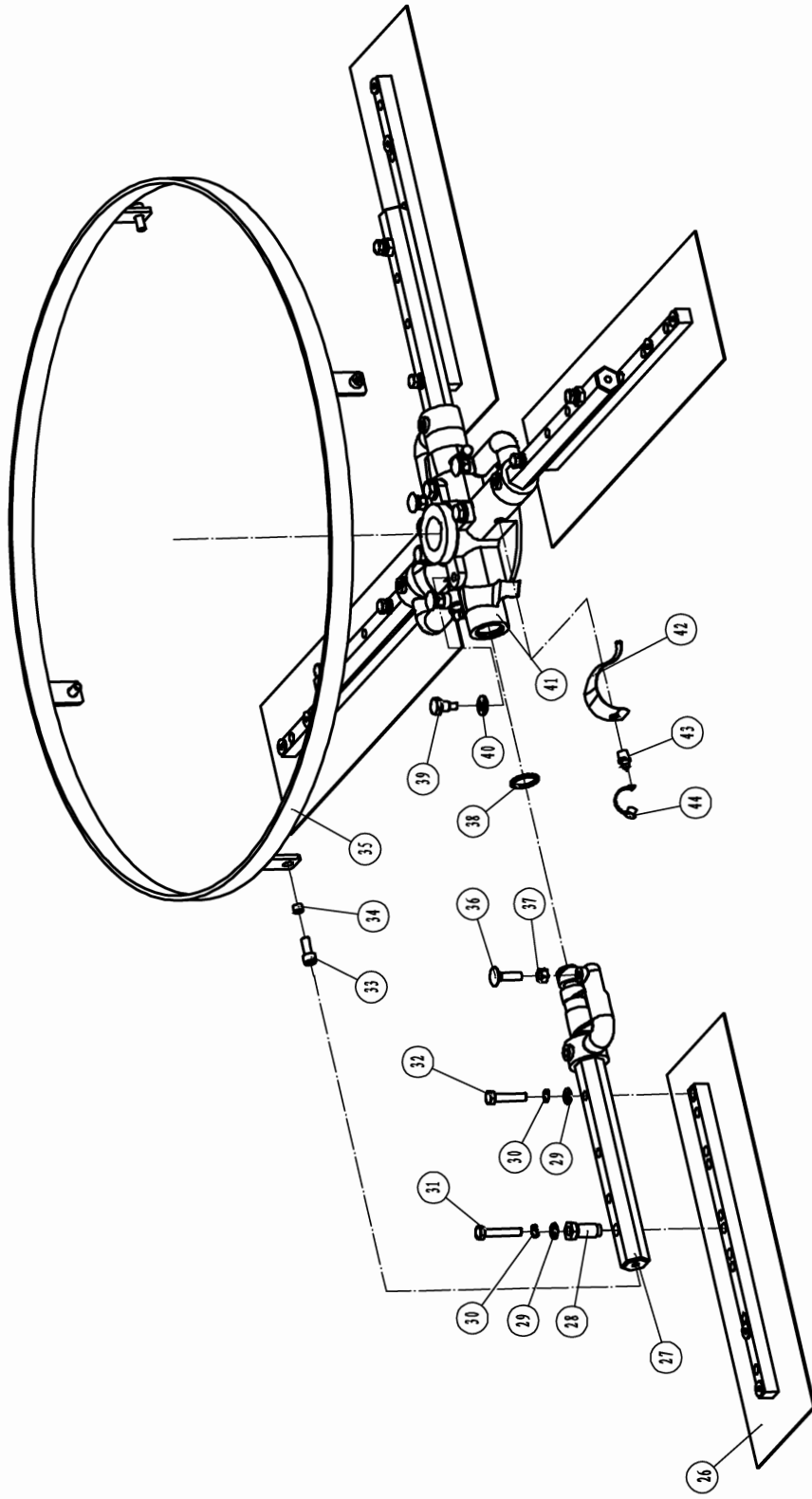
MT36、42、46-BOM01-A

PARTS LIST 1
MT36/MT42/MT46

MT36、42、46-BOM01-B

ITEM NO.	PART NO.	DESCRIPTION	QUANTY	REMARK	ERP No.
1	GB889.1-M10	LOCK SCREW Φ10	5		20405006
2	GB97.1-10	WASHER Φ10	5		20501009
3	MT36-05-03-02	WIRE. MT36	1		40101069
	MT42.46-05-03-02	WIRE. MT42/46	1		21399004
4	GB879-5×35	PIN	1		20802110
5	MT36.42.46-05-03-01	SCREW	1		40706007
6	GB93-6	SPRING WASHER	2		20509004
7	M6×8	NUT	1		20306049
8	MT36-05-02-00	TROWEL CONTROL ASSY.	1		54601125
9	GB97.1-6	SPACER	1		20501005
10	GB5783-M6×12	BOLT	1		20102051
11	MT24-03-03-10	HANDLE BALL ROD	1		40101061
12	GB97.1-12	WASHER 12	1		20501024
13	MT36.42.46-05-06-04	MT ROUND HANDLE ASSY.	1		40305109
14	MT36-05-06-05W	SAFETY STOP SWITCH ASSY.	1		54601013
	170 ON OFF SWITCH OF GASOLING MICRO- CULTIVATOR	ON-OFF SWITCH		OPPTIONAL PARTS(with a fastener)	41403100
15	MT36.42.46-05-07-01ZJ	TROLLEY CONTROL ASSY.	1		54601156
	MT36/42/46-05-07-01 (3301)	SWITCH ASSY. FOR CLIENT 3301	1		41404015
	MT36-05-07-01(EY20)	TROLLEY CONTROL ASSY. FOR EY20	1		41404016
16	GB5782-M12×130	BOLT M12	1		20101115
17	MT36-05-01-00	HANDLE LEVER (MT36)	1		54601008
	MT42.46-05-01-00	HANDLE LEVER (MT42、46)	1		54601016
18	MT36-05-01-06	LIFT ROD (MT36)	1		40408006
	MT42.46-05-01-06	LIFT ROD (MT42.46)	1		40408010
19	MT36-05-03-04	PULLEY	1		41405019
20	GB119-10×35	PIN	1		20801006
21	MT36.42.46-05-03-03	PULLEY TRACKET	1		40203315
22	GB889.1-M12	LOCK SCREW M12	2		20405007
23	GB97.1-12	WASHER 12	2		20501010
24	GN5782-M12×70	BOLT M12x70	2		20101099
25	MT36-05-04-01	JUNCTION PLATE	1		40201085

MT36、42、46-BOM02-A



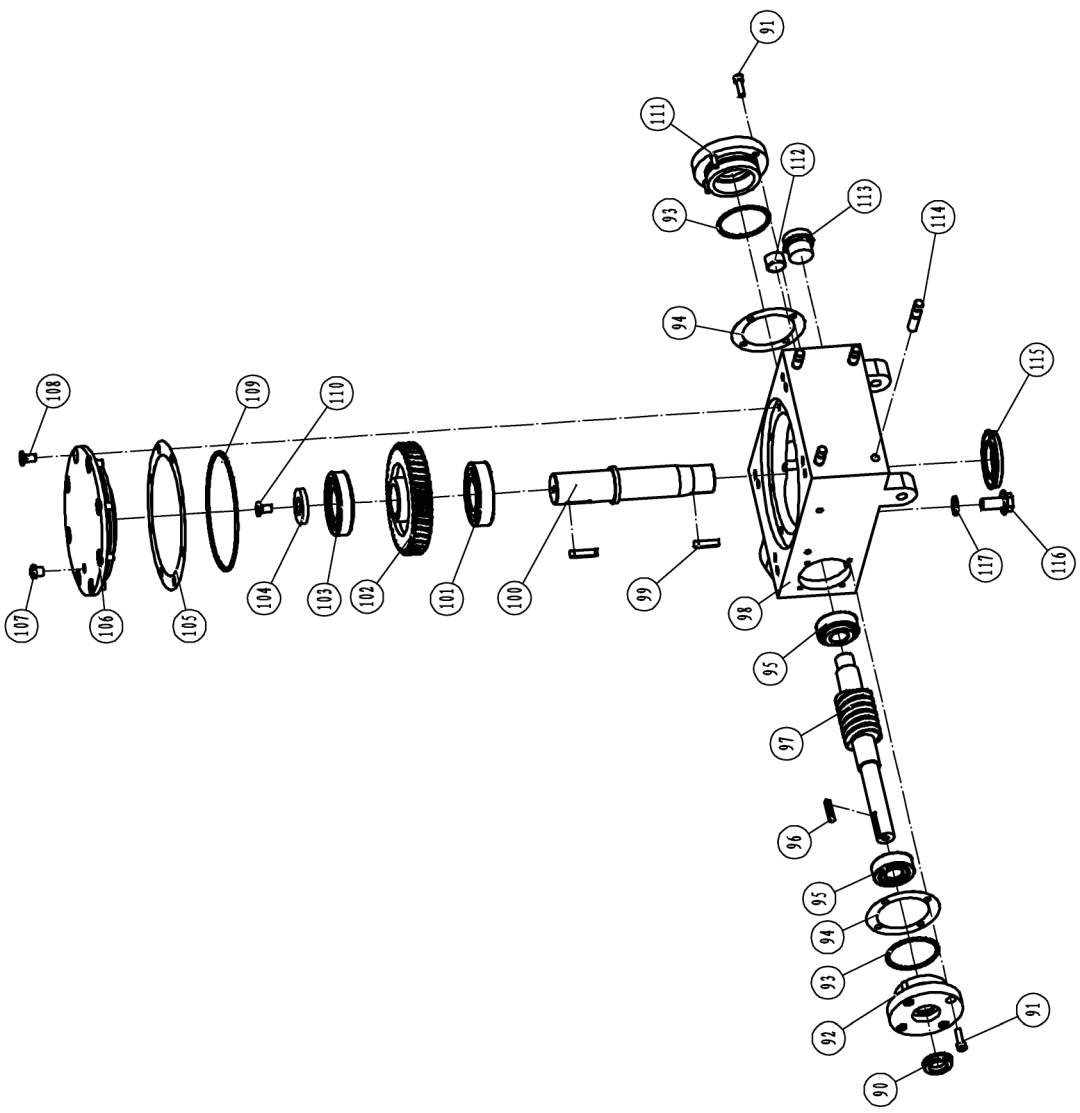
MT36、42、46-BOM02-A

PARTS LIST 2

MT36/MT42/MT46

MT36、42、46-BOM02-A

ITEM NO.	PART NO.	DESCRIPTION	QTY	REMARK	ERP No.
26	MT36-04-00-11	BLADE, MT36	4		40302070
	MT42-04-00-11	BLADE, MT42	4		40302080
	MT46-04-00-11	BLADE, MT46	4		40302079
27	MT36-06-PWT	TROWEL ARM EXTENDED, MT36	4		40101084
	MT42.46-06-PWT	TROWEL ARM EXTENDED, MT42 & MT46	4		40101090
28	MT36-04-00-08	BOLT FOR ADJUSTING BLADE M14*1.0	4		40401053
29	GB97.1-8	SPACER	8		20501007
30	GB93-8	SPRING WASHER	8		20509006
31	5/16-18UNF×50	SCREW	4		20109021
32	5/16-18UNF×38	SCREW	4		20109022
33	GB70.1-M8×20	SCREW M8X20 (MT42、46)	4		20306122
34	MT42.46-04-00-14	ALU. SLEEVE (MT42、46)	4		40504151
35	MT42.46-04-00-12	OUTER RING (MT42、46)	1		40507046
36	GB14-M8x30	BOLT M8X30	4		20110021
37	GB6170-M8	I TYPE NUT M8	4		20401004
38	GB3452.1-24x3	O RING	4		21101020
39	MT36-04-00-06	BOLT	4		40401054
40	GB97.1-10	WASHER 10	4		20501009
41	MT36-04-00-04	SPIDER PLATE ONLY	1		40302069
42	MT36-04-00-10	SPRING STRIP	4		40201081
43	GB11152-M10x1	CUP	4		20426027
44	Φ6	CUP COVER	4		41201127



PARTS LIST 3
MT36/MT42/MT46

MT36、42、46-BOM03-A

ITEM NO.	PART NO.	DESCRIPTION	QTY	REMARK	ERP No.
45	GB889.1-M10	LOCK SCREW M10	4		20405006
46	GB97.1-10	WASHER 10	4		20501009
47	MT36-01-00-00	PROTECTIVE RING ASSY. (MT36)	1		40302067
	MT36-01-00-BY	PROTECTIVE FRAME MT36	1		40302068
	MT42-01-00-00	PROTECTIVE RING ASSY. (MT42)	1		54601017
	MT46-01-00-00	PROTECTIVE RING ASSY. (MT46)	1		54601015
48	MT36-06-00-03	BELT GUARD	1	DIAMETER AXLE Φ 19.05、Φ 20	40301075
	MT42.46-06-00-03	BELT GUARD	1	DIAMETER AXLE Φ 25、Φ 24	40206118
49	GB70.1-M6×20	SCREW M6X20	4	DIAMETER AXLE Φ 19.05、Φ 20	20306069
	GB70.1-M6×25	SCREW M6X25	4	DIAMETER AXLE Φ 25、Φ 24	20306077
50	GB93-6	SPRING WASHER 6	4		20509022
51	GB97.1-6	WASHER 6	4		20501023
52	GB5783-M8×50	BOLT (S)	1	DIAMETER AXLE Φ 20、Φ 25	20102110
	GB5783-M8×55	BOLT (S+LIFTING HOOK)	1	DIAMETER AXLE Φ 20	20102111
	5/16-24×38	BOLT (Q ENGINE)	1	DIAMETER AXLE Φ 19.05	20109036
	5/16-24×45	BOLT (Q ENGINE+LIFTING HOOK)	1	DIAMETER AXLE Φ 19.05	20109032
	7/16-20×25	BOLT (Q ENGINE)	1	DIAMETER AXLE Φ 25.4	20109030
53	Φ 8×Φ 30×3	LARGE WASHER	1	DIAMETER AXLE Φ 19.05、Φ 20	20504011
	Φ 8×Φ 40×3	LARGE WASHER	1	DIAMETER AXLE Φ 25、Φ 24	20519009
54	MT36-02-00-07G	PIPE FOR CLUTCH (S ENGINE)	1	DIAMETER AXLE Φ 20	41004010
	MT36-02-00-07Y	PIPE FOR CLUTCH (Q ENGINE)	1	DIAMETER AXLE Φ 19.05	41004012
	MT36-02-00-07C. GZ	LONG PIPE FOR CLUTCH (S+LIFTING HOOK)	1	DIAMETER AXLE Φ 20	40504193
	MT36-02-00-07C. YZ	LONG PIPE FOR CLUTCH (Q+LIFTING HOOK)	1	DIAMETER AXLE Φ 19.05	40504191
	MT42.46-02-00-07G	PIPE FOR CLUTCH (S ENGINE)	1	DIAMETER AXLE Φ 25	40705038
55	AV660Li	A-BELT	1	DIAMETER AXLE Φ 19.05、Φ 20	21201158
	A650Li	BELT A650 (MT36)	1	ROBIN EY20	82202013
	AV710Li	A-BELT (MT42, 46)	1	DIAMETER AXLE Φ 25、Φ 24	21201161
56	MT36-02-00-00G	CLUTH ASSY. (S ENGINE)	1	DIAMETER AXLE Φ 20	54601002
	MT36-02-00-00Y	CLUTCH ASSY. (Q ENGINE)	1	DIAMETER AXLE Φ 19.05	54601105
	MT42.46-02-00-00G	CLUTCH ASSY. (S ENGINE)	1	DIAMETER AXLE Φ 25	54601103
	MT42.46-02-00-00Y	CLUTCH ASSY. (Q ENGINE)	1	DIAMETER AXLE Φ 25.4	54601104
57	MT36-06-00-04G	CLUTCH ADJUSTING SLEEVE (MT36 S ENGINE)	1	DIAMETER AXLE Φ 20	40504134
	MT36-06-00-04Y	CLUTCH ADJUSTING SLEEVE (MT36 Q ENGINE)	1	DIAMETER AXLE Φ 19.05	40504160
	MT36-06-00-04C. GZ	LONG ADJUSTING SLEEVE OF CLUTCH (MT36 S ENGINE)	1	DIAMETER AXLE Φ 20	40504192
	MT36-06-00-04C. YZ	LONG ADJUSTING SLEEVE OF CLUTCH (MT36 Q ENGINE)	1	DIAMETER AXLE Φ 19.05	40504190
	MT42.46-06-00-04G	CLUTCH ADJUSTING SLEEVE (MT42.46 S ENGINE)	1	DIAMETER AXLE Φ 25	40504136
58	MT36-11-01-01	VIBRATION DAMPER	4		41201126
	MT36-06-00-02	MOUNTING PLATE, BELT GUARD (MT36)	1	DIAMETER AXLE Φ 19.05、Φ 20	40206102

PARTS LIST 3
MT36/MT42/MT46

MT36、42、46-BOM03-A

ITEM NO.	PART NO.	DESCRIPTION	QTY	REMARK	ERP No.
59	MT42.46-06-00-02G	MOUNTING PLATE, BELT GUARD (MT42.46)	1		40204089
	MT42.46-06-00-G270F	MOUNTING PLATE, BELT GUARD (MT42.46)	1	G270F	40204077
60	GB70.3-M8×20	INNER HEXAGON COUNTERSUNK SCREW BLACK	2	DIAMETER AXLE Φ 25	20308111
	5/16-24*1"	U. S. INNER HEXAGON COUNTERSUNK SCREW	2	DIAMETER AXLE Φ 25.4	99901044
61	MT36-B-DG	LIFTING HOOK (MT36)	1		54601098
	MT42.46-DG	LIFTING HOOK (MT42.46)	1		54601095
62	GX160H1-SX	HONDA	1	DIAMETER AXLE Φ 20	41401013
	GX160UT2-SX4	HONDA	1		41401001
	EX17	ROBIN	1		41401024
	EY20	ROBIN	1		41401029
	GX200U-SM14	HONDA	1		41401012
	GX160H1-QX	HONDA	1	DIAMETER AXLE Φ 19.05	41401014
	GX160UT2-QX4	HONDA	1		41401002
	G200F	LONCIN	1		41401042
	GX270H-SH	HONDA	1	DIAMETER AXLE Φ 25	41401016
	EX27	ROBIN	1		41401025
	GX270U-QA2	HONDA	1	DIAMETER AXLE Φ 25.4	41401003
	GX270H QXHQ	HONDA	1		41401072
	270F	LONCIN	1		41401095
	63	GB818-M3×8	CROSS RECESS HEAD SCREW (STAINLESS STEEL)	1	NOT FOR ROBIN AND LOCIN ENGINE
64	MT36-05-07-02	BOLT	1	40203310	
65	GB97.1-5	WASHER 5 (STEEL)	1	20501021	
66	GB889.1-M5	LOCK SCREW M5 (STEEL)	1	20405021	
67	MT36-11-04-01	GUIDE COVER (MT36)	1	40204074	
	MT42.46-11-04-01	GUIDE COVER (MT42.46)	1	40204076	
68	GB93-4	SPRING WASHER 4 (MT36)	2	20509001	
69	GB818-M4×8	CROSS RECESS HEAD SCREW (MT36)	2	20301001	
	GB12618-3.2×7	RIVET (MT42.46)	3	20705003	
70	GB889.1-M8	FLAT WASHER	4	DIAMETER AXLE Φ 19.05、Φ 20	
71	GB97.1-8	FLAT WASHER	4		20501007
	GB96.1-8	BIG WASHER	4	DIAMETER AXLE Φ 25、Φ 25.4	20504003
72	GB1096-5×5×33	KEY	1	DIAMETER AXLE Φ 20	20901062
	4.78×4.78×38	KEY	1	DIAMETER AXLE Φ 19.05	20901257
	7×7×33	KEY	1	DIAMETER AXLE Φ 25	20901258
	6.3×6.3×43	KEY	1	DIAMETER AXLE Φ 25.4	20901259
73	GB5783-M8×20	HEXAGONAL BOLT	4	FOR S ENGINE AND LOCIN ENGINE	20102101
	GB5783-M8×25	HEXAGONAL BOLT (SUITABLE FOR LIFTING HOOK)	4	FOR S ENGINE AND LOCIN ENGINE	20102102
	5/16-24x20	HEX BOLT (Q ENGINE)	4	FOR Q ENGINE NOT INCLUDING LOCIN	20109033
	5/16-24x25	HEX BOLT (Q ENGINE) (SUITABLE FOR LIFTING HOOK)	4	FOR Q ENGINE NOT INCLUDING LOCIN ENGINE	20109031
74	GB5783-M8×16	HEX HEAD SCREW	1		20102116
	GB5783-M8×20	HEX HEAD SCREW (SUITABLE FOR LIFTING HOOK)	1		20102101

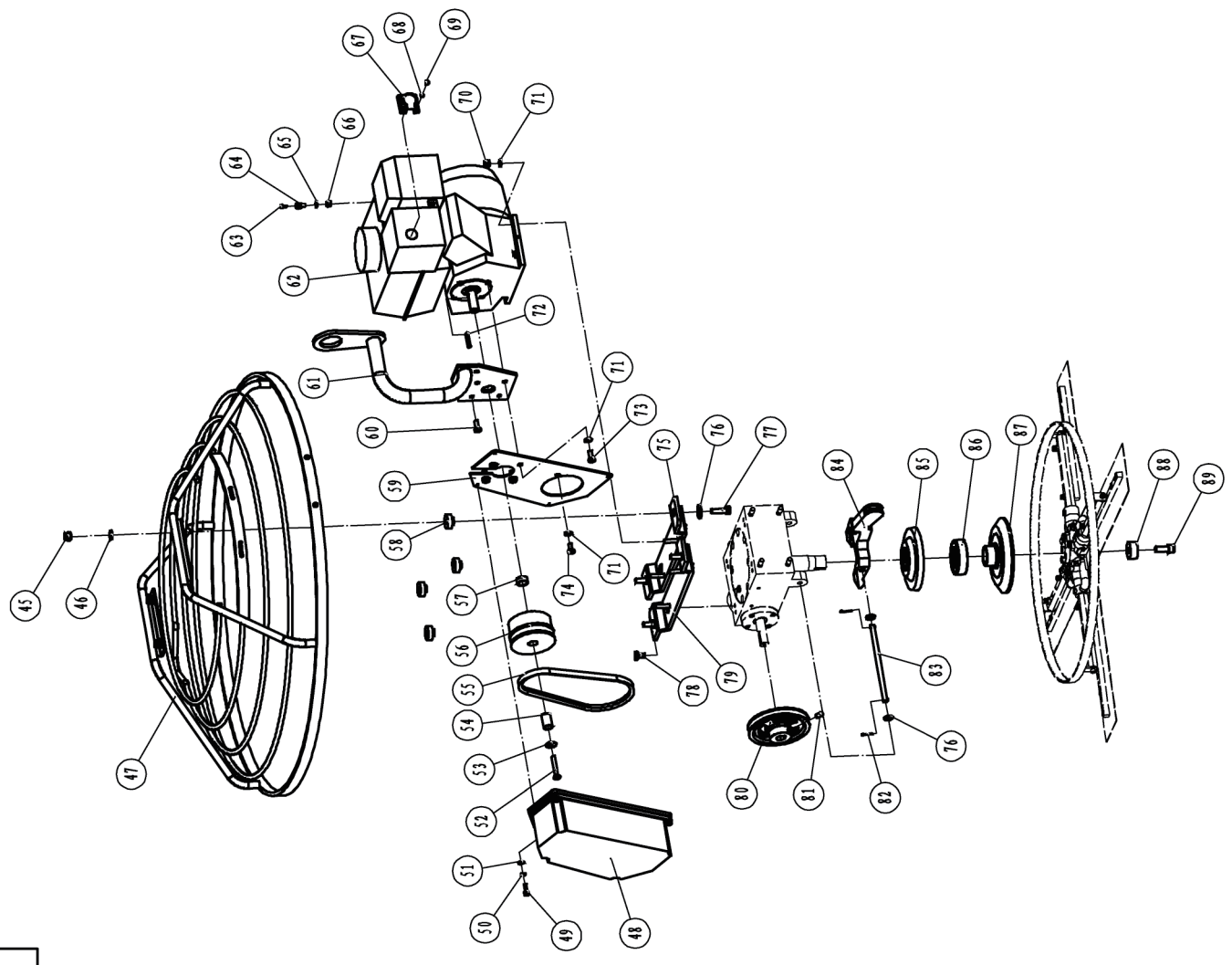
PARTS LIST 3
MT36/MT42/MT46

MT36、42、46-BOM03-A

ITEM NO.	PART NO.	DESCRIPTION	QTY	REMARK	ERP No.
75	MT36-06-01-02-BJ	RIGHT PLATE ASSEMBLY (MT36)	1	DIAMETER AXLE Φ 19.05、Φ 20	54601131
	MT42.46-06-01-02-BJ	RIGHT PLATE ASSEMBLY (MT42, MT46)	1	DIAMETER AXLE Φ 25、Φ 25.4	54601134
76	GB96.1-10	BIG WASHER	6		20504005
77	GB5783-M10×35	HEX HEAD SCREW	4		20102155
78	GB70.3-M10×20	SUNK SCREW	4	DIAMETER AXLE Φ 19.05、Φ 20	20308147
	GB70.3-M10×20	SUN SCREW	8	DIAMETER AXLE Φ 25、Φ 25.4	20308147
79	MT36-06-01-01-BJ	LEFT PLATE ASSEMBLY	1	DIAMETER AXLE Φ 19.05、Φ 20	54601130
	MT42.46-06-01-01-BJ	LEFT PLATE ASSEMBLY	1	DIAMETER AXLE Φ 25、Φ 25.4	54601133
80	MT36-06-00-01	PULLEY	1		40607048
81	GB78-M8×16	HEX HEAD SCREW M8	1		20312009
82	GB91-2.5×16	PIN	2		20805005
83	MT36-05-05-02	PIN FOR FORK	1		40102022
84	MT36-05-05-01	FORK	1		40101059
85	MT36-04-00-01	BEARING PLATEN	1		40503033
86	MT36-04-00-02 (51209)	BEARING 51209	1		21012012
87	MT36.42.46-04-00-05	BLADE PLATEN	1		40503032
88	MT36-04-00-05	CROSS WASHER	1		41201125
89	GB70.1-M12×30 12.9	SOCKET CAP SCREW	1		20306014

A

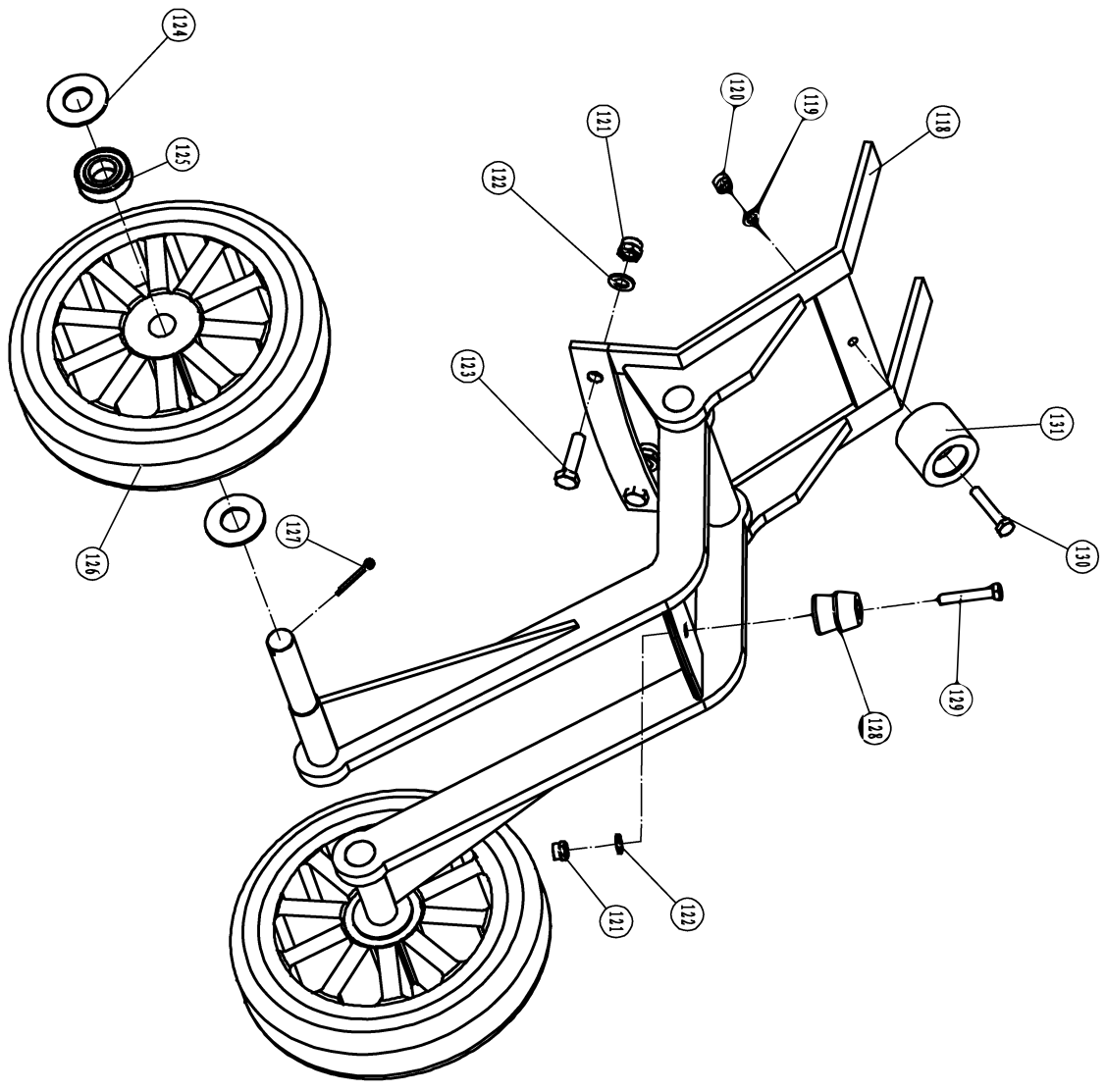
B



PARTS LIST 3
MT36/MT42/MT46

MT36、42、46-BOM04-A

ITEM NO.	PART NO.	DESCRIPTION	QTY	REMARK	ERP No.
90	GB13871-TC20×32×7	SEAL	1		21106038
91	GB70.1-M6×20	SOCKET CAP SCREW	8		20306048
92	MT36-03-00-05	FLANGE, INPUT SHAFT	1		40503034
93	GB3452.1-55×3	O-RING	2		21101021
94	MT36-03-00-06	PLATE, SEAL	2		40504141
95	GB297-32204	BEARING	2		21007005
96	GB1096-5×30	KEY	1		20901055
97	MT36-03-00-07	GEAR, WORM & SHAFT ASSY.	1		40405008
98	MT36.42.46-03-00-01	CASE, GEAR	1		40901047
99	GB1096-8×30	KEY A	2		20901163
100	MT36-03-00-09	TURBOSHAFT	1		40403016
101	GB276-6207-2RS	BEARING 6207	1		21001086
102	MT36-03-00-08	GEAR, WORM	1		40605001
103	GB297-30207	BEARING 30207	1		21007004
104	MT36-03-00-10	WAHSER	1		40504139
105	MT36-03-00-03	WASHER (BIG)	1		40504140
106	MT36-03-00-02	TOP COVER	1		40201082
107	MT36-03-00-11	VENT VALVE	1		40402068
108	GB70.3-M8×16	SOCKET CAP SCREW	8		20308110
109	GB3452.1-130×3	O-RING	1		21101019
110	GB70.3-M8×20	SOCKET CAP SCREW	1		20308111
111	MT36-03-00-04	COVER	1		41201128
112	ZG1/2	HEXAGONAL HEAD PLUG	1		21102004
113	GB1160.2-M27×1.5	OIL GAUGE	1		21110007
114	GB901-M10×40	DOWEL SCREW	4		20110019
115	GB13871-TC35×54×8	O-RING	1		21106040
116	JB1000-M12×1.25	OUTER HEXAGONAL PLUG	1		21103006
117	JB1002-12	COPPER PAD	1		21105007



MT36-BOM05-A

B

A

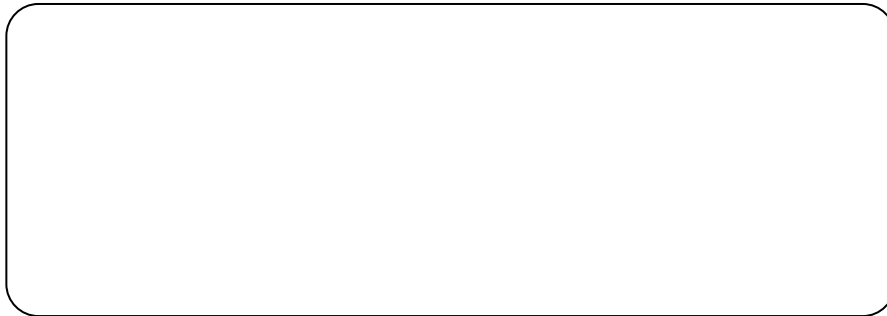
PARTS LIST 5
MT36/MT42/MT46

MT36-BOM05-A

ITEM NO.	PART NO.	DESCRIPTION	QTY	REMARK	ERP No.
118	MT36.BY.01	WHEEL STAND	1	FOR MT36	40101088
119	GB97.1-6	FLAT WASHER	2		20501005
120	GB889.1-M6	LOCK NUT M6	2		20405002
121	GB889.1-M8	LOCK NUT M8	2		20405004
122	GB97.1-8	FLAT WASHER	2		20501007
123	GB5783-M8×25	HEXAGONAL HEAD BOLT	2		20102102
124	φ 35 × φ 18 × 3	FLAT WASHER	4		20519010
125	GB276-6003-2RS	BEARING	4		21001085
126	φ 200 × φ 15 × 56	WHEEL	2		41405010
127	GB91-3.2×36	PIN	2		20805050
128	MT36.BY-01	RUBBER LOCATING BLOCK	1		41105018
129	GB70.1-M6×30	SOCKET HEAD SCREW	1		20306058
130	GB5783-M6×25	HEXAGONAL HEAD BOLT	1		20102055
131	MT36.BY-02	RUBBER LOCATING BLOCK	1		41105019



Distributed By



Manufacturer:

Carlow Hire & Sales Ltd,
T/A Doyle's Importers & Distributors
Shamrock Commercial Park, Dublin Road,
Castlecomer, County Kilkenny. Ireland
Tel: +353 564441988 Fax:+353 564441978

Website: www.doyles.ie