



OPERATION MANUAL

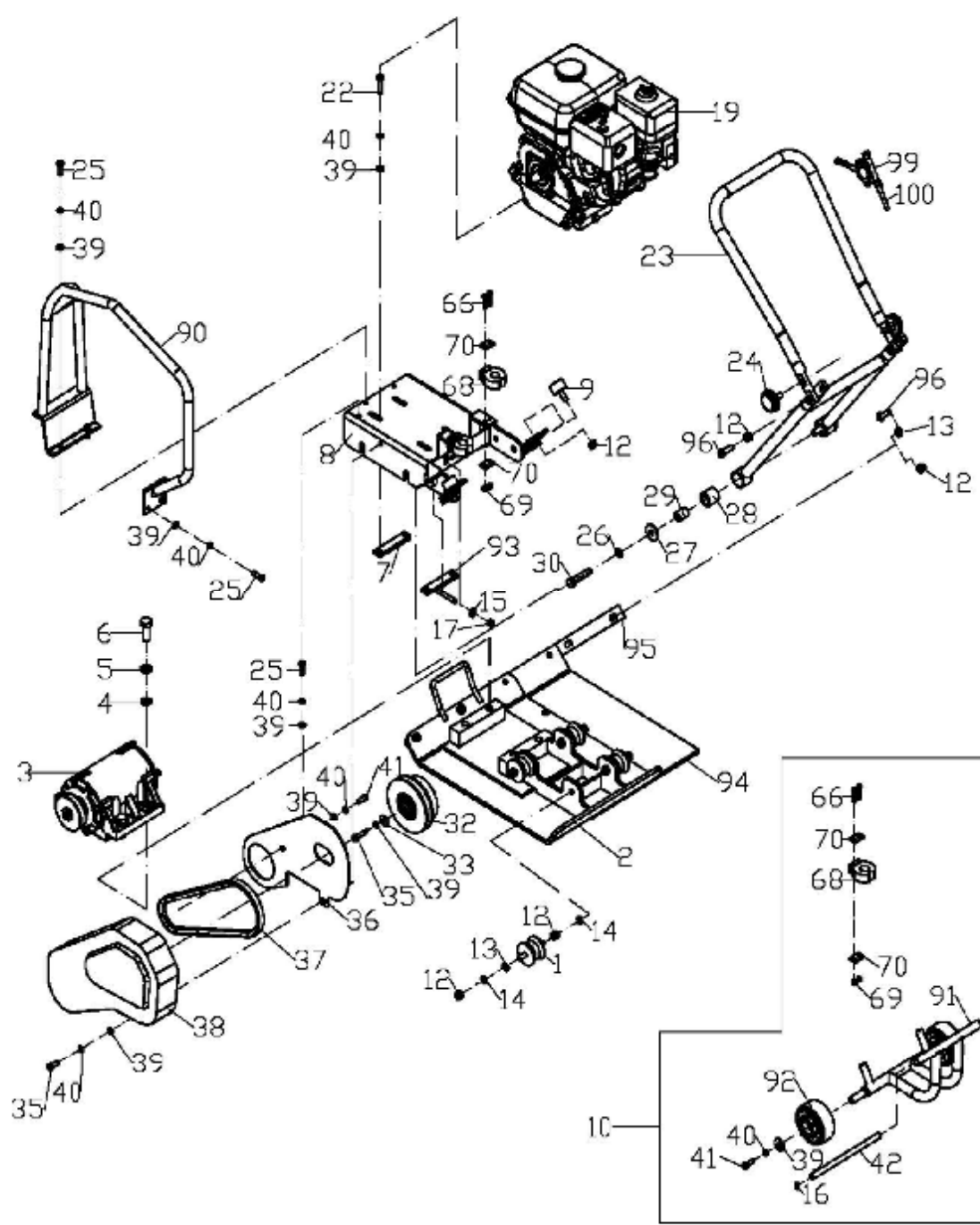
PLATE COMPACTOR MS60



WARNING

CE

To reduce the risk of injury, all operators and maintenance personnel must read and understand these instructions before operating, changing accessories, or performing maintenance on Masalta power equipment. All possible situations cannot be covered in these instructions. Care must be exercised by everyone using, Maintaining or working near this equipment.



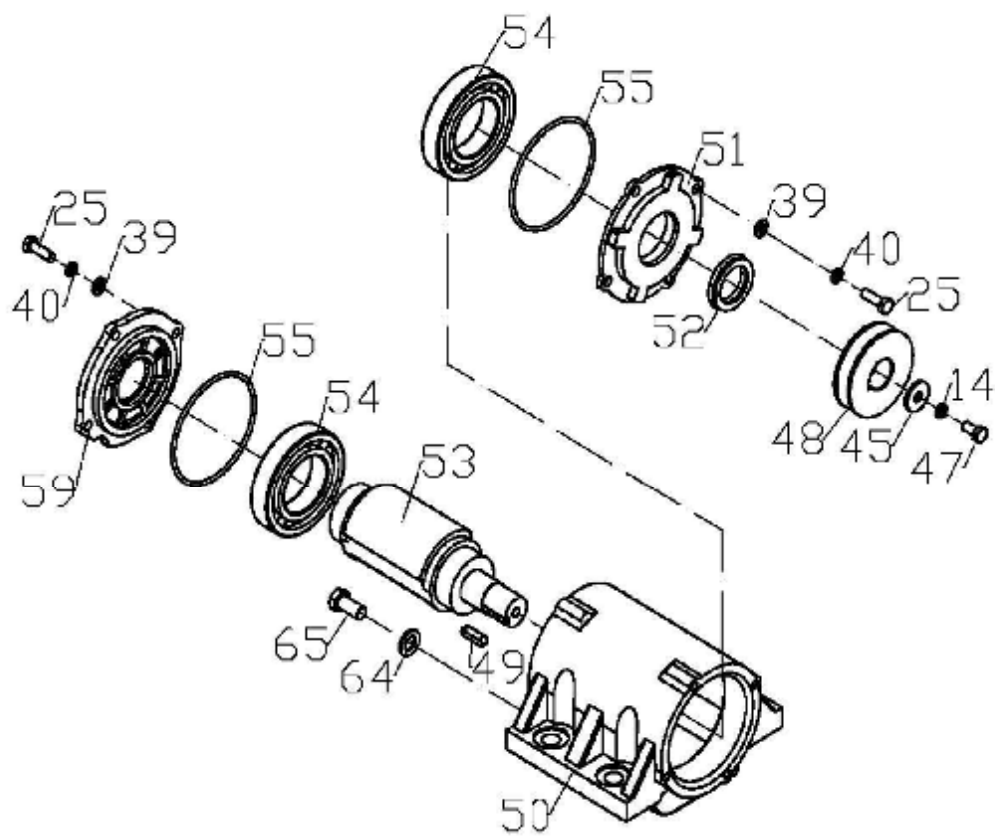
MS60 PARTS LIST 1

MS60 PARTS LIST 1

ITEM NO.	PART NO.	DESCRIPTION	QTY	REMARK
1	103100	SHOCK ABSORBER	4	
2	103000	BASE PLATE	1	
3	104000	VIBRATOR ASSY	1	
4	095016	WASHER 16-GB93	4	
5	093016	SPRING WASHER 16-GB93	4	
6	057016-40	BOLT M16 X 40 - GB5783-86	4	
7	105100	ENGINE NUT	1	
8	105000	ENGINE MOUNTING PLATE WITH WHEEL PLATE	1	
9	106100	CUSHION PAD	2	
10	108000	TROLLEY WHEEL	1	
12	061010	NUT M10 - GB6170	15	
13	095010	WASHER 10 - GB95	7	
14	093010	SPRING WASHER 10 - GB93	9	
15	108010	WASHER	1	
16	089013	CIRCLIP FOR SHAFT 12 - GB894 (OPTIONAL)	2	
17	061008	NUT M8 - GB6170	1	
19	101000-1	CHINESE ENGINE	1	
	101000-2	HONDA ENGINE	1	
	101000-3	ROBIN ENGINE	1	
	101000-4	B&S ENGINE	1	
22	057008-40	BOLT M8 X 40 - GB5783	4	
23	106000	FOLDABLE HANDLE ASSY.	1	
24	106007	KNOB 10X35	2	
25	057008-25	BOLT M8 X 25 - GB5783	13	
26	093012	SPRING WASHER 12 - GB93	2	
27	096012	WASHER 12 - GB96	2	
28	106002	RUBBER MOUNT	2	

MS60 PARTS LIST 1

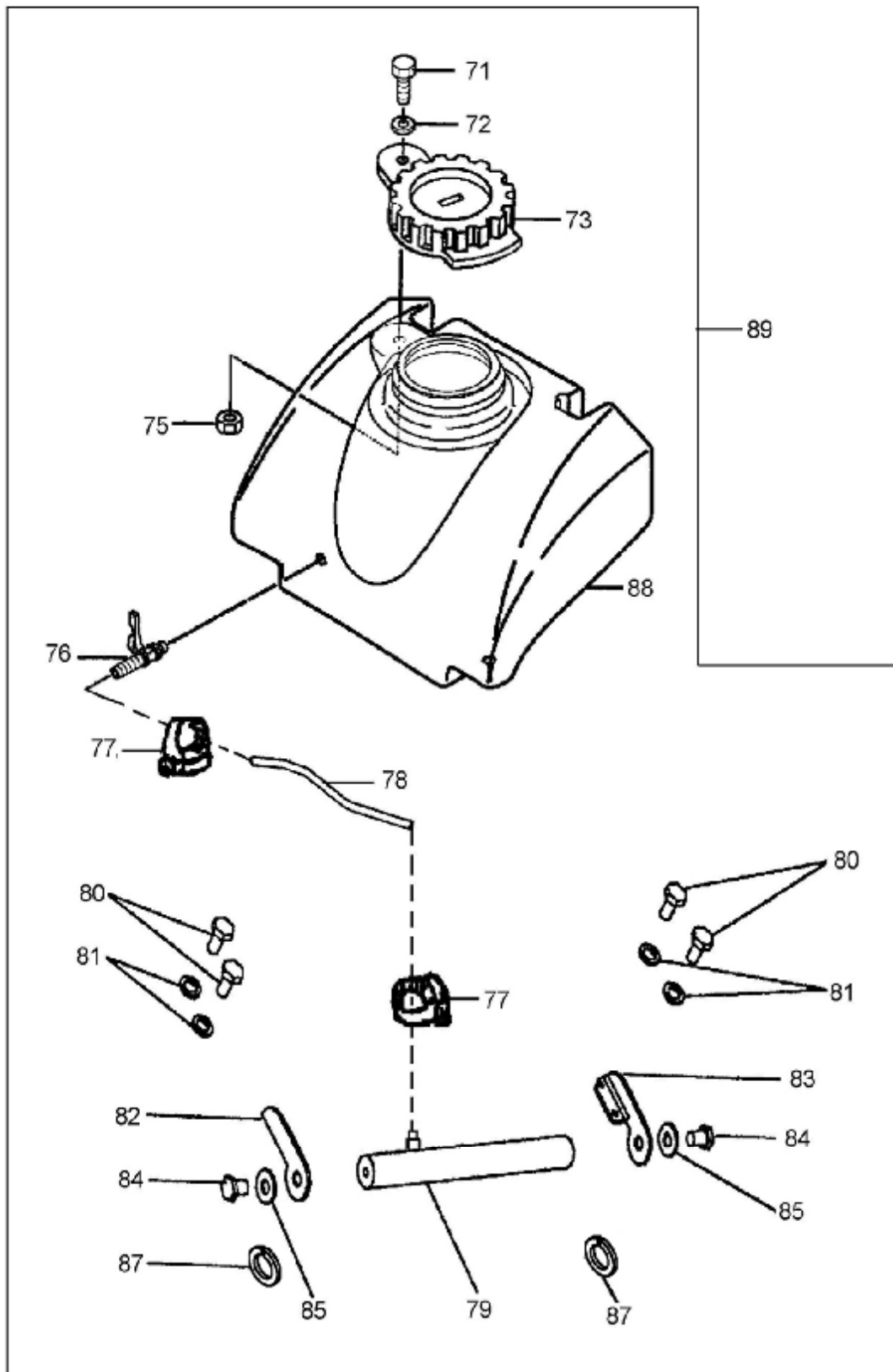
ITEM NO.	PART NO.	DESCRIPTION	QTY	REMARK
29	106003	COLLAR	2	
30	057012	BOLT M12 x 60-GB5782	2	
32	152000-1	CLUTCH PULLEY ASSY (18MM)	1	
	152000-2	CLUTCH PULLEY ASSY (19MM)	1	
	152002-3	CLUTCH PULLEY ASSY (19.05MM)	1	
	152000-4	CLUTCH PULLEY ASSY (20MM)	1	
33	152005	CLUTCH WASHER	3	
36	107001	INSIDE BELT COVER	1	
37	011544	V-BELT	1	
38	107000	BELT COVER	1	
39	095008	WASHER 8 - GB95	19	
40	093008	SPRING WASHER 8-GB93	21	
41	057008-16	BOLT M8 X 20 - GB5783	3	
42	108100	WHEEL PIN	1	
66	057006	BOLT M6 X 30	4	
68	105001	RUBBER CLIP	2	
69	061006	NUT M6	4	
70	105002	CLIP PLATE	4	
90	101100	PROTECTIVE FRAME (OPTIONAL)	1	
91	108001	WHEEL SHAFT	1	
92	108002	WHEEL	2	
93	105003	NUT STRIP	1	
94	103001	RUBBER MAT (OPTIONAL)	1	
95	103002	FIX STRIP (OPTIONAL)	1	
96	057010-40	BOLT M10X30-GB5783 (OPTIONAL)	2	
99	A2004001-1	THROTTLE CONTROL LEVER (OPTIONAL)	1	
100	1560006-2	THROTTLE CONTROL WIRE (OPTIONAL)	1	



MS60 PART LIST 2

MS60 PARTS LIST 2

ITEM NO.	PART NO.	DESCRIPTION	QTY	REMARK
45	154003	WASHER 10	1	
47	057010-25	BOLT M10 x 20-GB5783	1	
48	154004-1	PULLEY	1	
49	010008	KEY 8X16	1	
51	154006	CASE COVER (L)	1	
52	098035	OIL SEAL 35 x 48 X 10-GB9877	1	
53	104007	ECCENTRIC ROTATOR	1	
54	027011	BERING 6211-GB276	2	
59	154008	CASE COVER (R)	1	
60	154009	VIBRATING CASE	1	
64	154001	PACKING PIECE 14	1	
65	154002	PLUG SCREW 12X1.25	1	



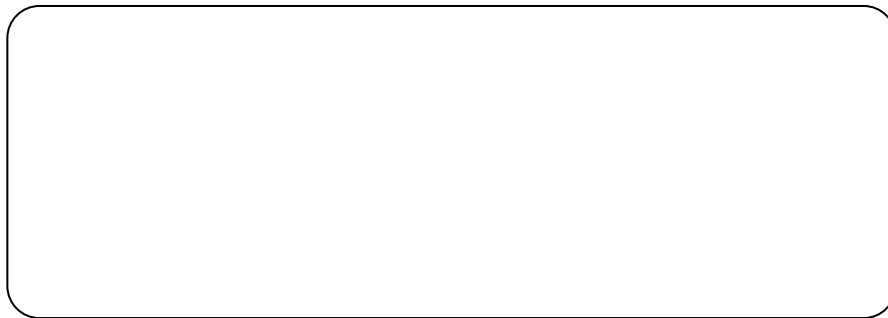
MS60 PARTS LIST 3

MS60 PARTS LIST 3

ITEM NO.	PART NO.	DESCRIPTION	QTY	REMARK
71	0081800	BOLT M10X30-GB818	1	
72	0097010	WASHER 10-GB97.1	1	
73	A2008005-1	CAP OF WATER TANK	1	
75	0088910	NUT M10-GB889	1	
76	A2008007-1	COCK	1	
77	A2008003-1	CLIP HOOP	1	
78	A2008008	HOSE ϕ 10X100	1	
79	A2008009-1	SPRING PIPE	1	
80	0070008	BOLT M8X16-GB70	4	
81	0093008	SPRING WASHER8-GB93	4	
82	A2008010	PIPE HOLDER (L.)	1	
83	A2008011	PIPE HOLDER (R.)	1	
84	0057838	BOLT M8X16-GB5783	2	
85	0093008	SPRING WASHER8-GB93	2	
86	A2008012	SEAT PACKING	2	
87	A2008013	SPRING WASHER8	2	
88	A2008006-1	WATER TANK	1	
89	2008014	WATER TANK ASSY. (OPTIONAL)	1	



Distributed By



Manufacturer:

Carlow Hire & Sales Ltd,
T/A Doyle's Importers & Distributors
Shamrock Commercial Park, Dublin Road,
Castlecomer, County Kilkenny. Ireland
Tel: +353 564441988 Fax:+353 564441978

Website: www.doyles.ie