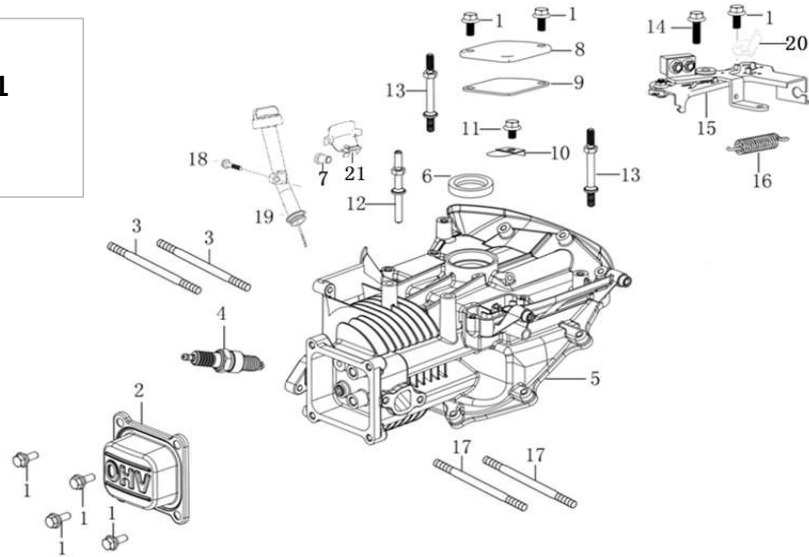


LC1P70FE-B01
TE50005997-0000091



(CRANK CASE)

No.	Part No.	Description		Reqd. QTY
1	380140067-0003	Hexagon bolt with flange	GB/T 5789 M6 L=12; 镀蓝白锌Q16	7
2	120230224-0001	Cylinder head cover	TE50;	1
3	380180147-0001	Stud	T302 M6 L=70.5; 镀蓝白锌Q16	2
4	270960089-0001	Spark plug	F7RTC 无干扰 阻值8-14kΩ;	1
5	110810451-0001	Crankcase body	TE50;	1
6	380650893-0001	Oil seal	T327 d=25.4 D=41.25 b=6 丙烯酸脂CII; 满足REAC	1
7	380822360-0001	Bushing	T320 外径10(带Φ14.5台阶) 内径6.5 长13 风扇	1
8	110840041-0001	CAP, BREATHER CHAMBER	T327;	1
9	110850030-0002	PACKING, BREATHER CHAMBER	T327; 通机变更单号TJGGBG2020006	1
10	140250026-0001	Leaf valve	T327; Cr3+钝化	1
11	380140039-0003	Hexagon bolt with flange	GB/T 5789 M6 L=8; 镀蓝白锌Q16	1
12	380850016-0001	Stay stud	T323 M6 L=72; 镀蓝白锌Q16	1
13	380850010-0001	Stay stud	T321 M6 L=78; 镀蓝白锌Q16	2
14	380140077-0005	Hexagon bolt with flange	GB/T 5789 M6 L=20; 镀蓝白锌Q16	1