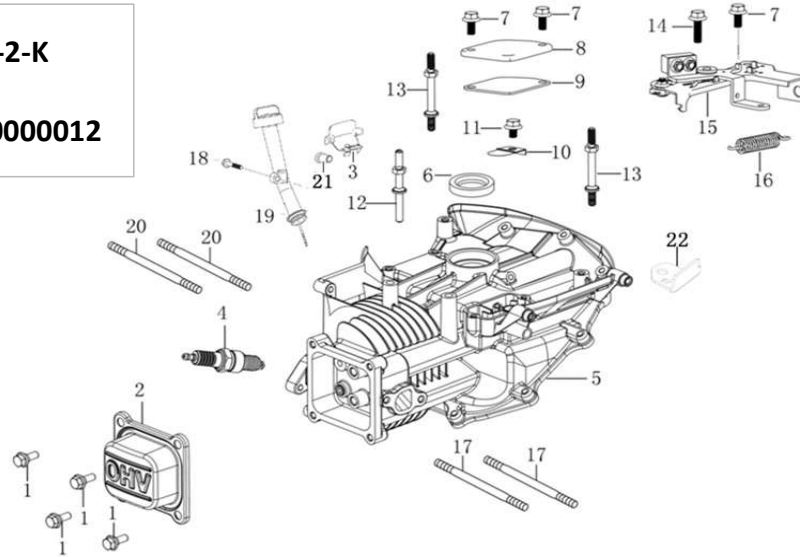


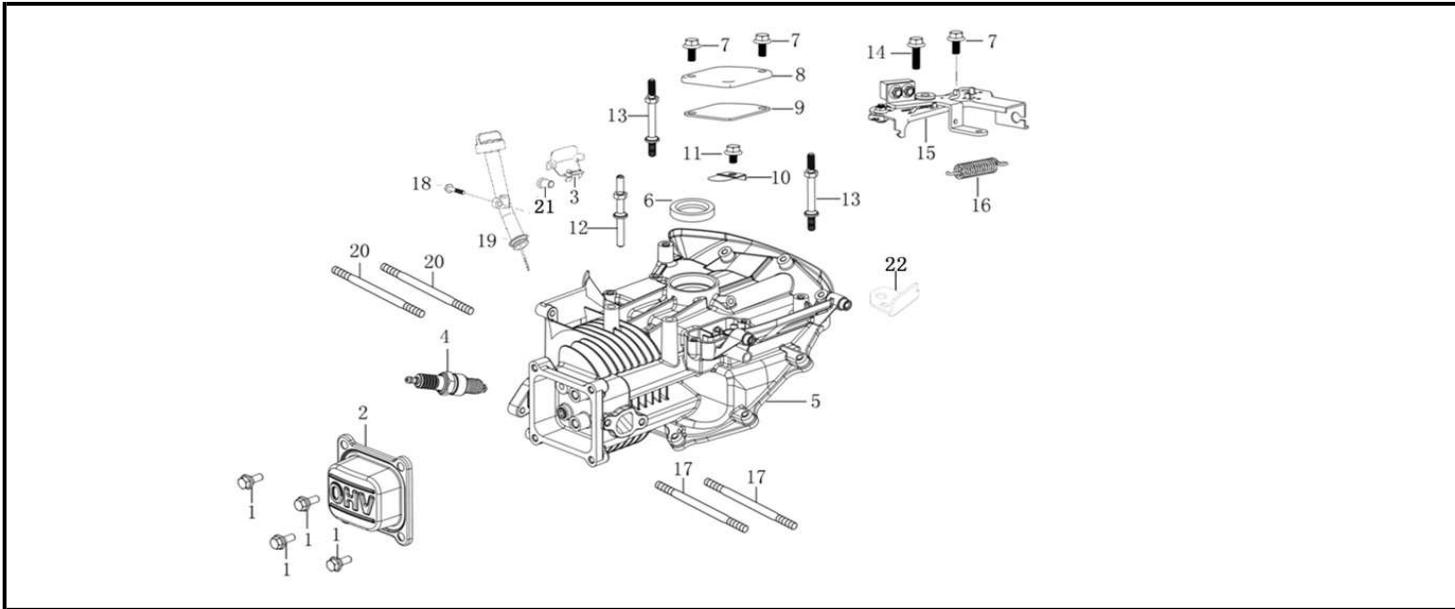
LC1P65FE-2-K

T327006849-0000012

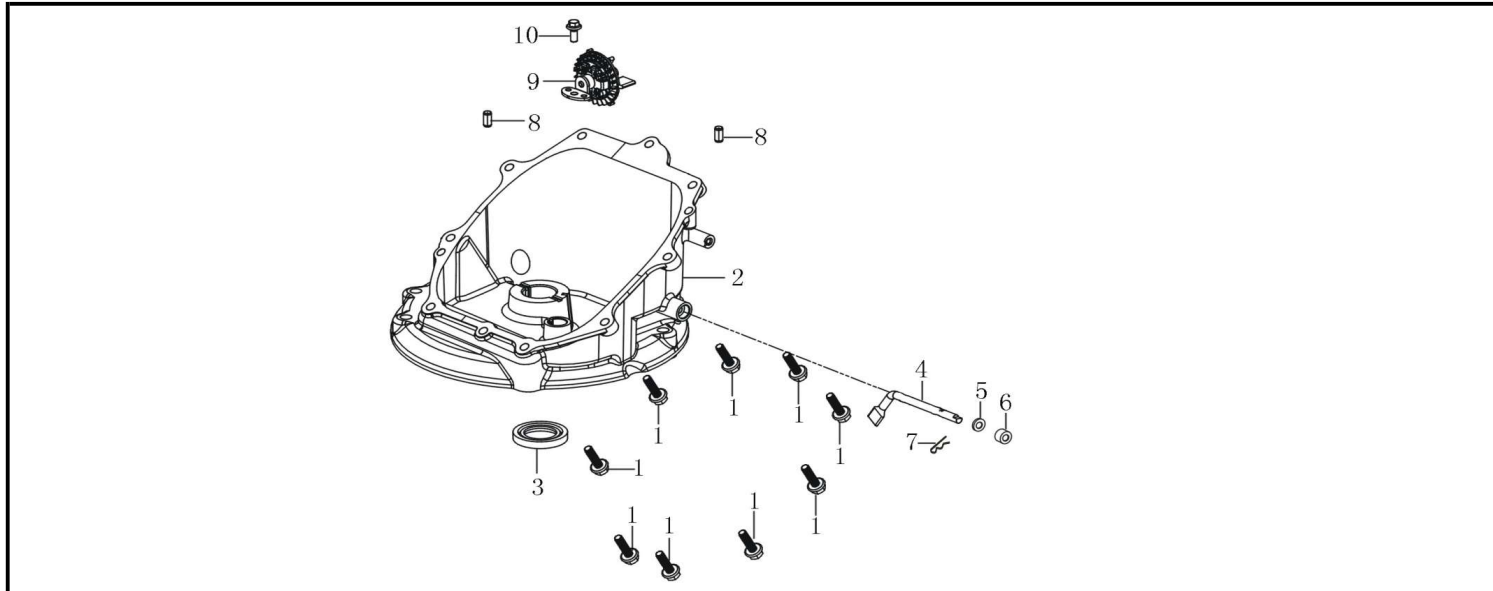


曲轴箱 (CRANK CASE)

序号 No.	零部件件号 Part No.	Description	规格状态	数量 Reqd. QTY
1	380020070-0001	Hexagon shaft shoulder bolt	T370 M6×16.5(Φ8×3.5); 镀蓝白锌Q16	4
2	120230260-0001	Cylinder head cover	T323 B款; 打胶 镀蓝白锌Q16	1
3	160200075-0001	Side plate	T327 箱体右侧护罩;	1
4	270960014-0001	Spark plug	F7RTC 无干扰;	1
5	110810363-0001	Crankcase body	T327;	1
6	380650335-0001	Oil seal	T320 d=25 D=38 b=7;	1
7	380140067-0003	Hexagon bolt with flange	GB/T 5789 M6 L=12; 镀蓝白锌Q16	3
8	110840041-0001	CAP, BREATHER CHAMBER	T327;	1
9	110850030-0002	PACKING, BREATHER CHAMBER	T327; 通机变更单号TJGGBG2020006	1
10	140250026-0001	Leaf valve	T327; Cr3+钝化	1
11	380140039-0003	Hexagon bolt with flange	GB/T 5789 M6 L=8; 镀蓝白锌Q16	1
12	380850016-0001	Stay stud	T323 M6 L=72; 镀蓝白锌Q16	1
13	380850010-0001	Stay stud	T321 M6 L=78; 镀蓝白锌Q16	2
14	380140077-0005	Hexagon bolt with flange	GB/T 5789 M6 L=20; 镀蓝白锌Q16	1

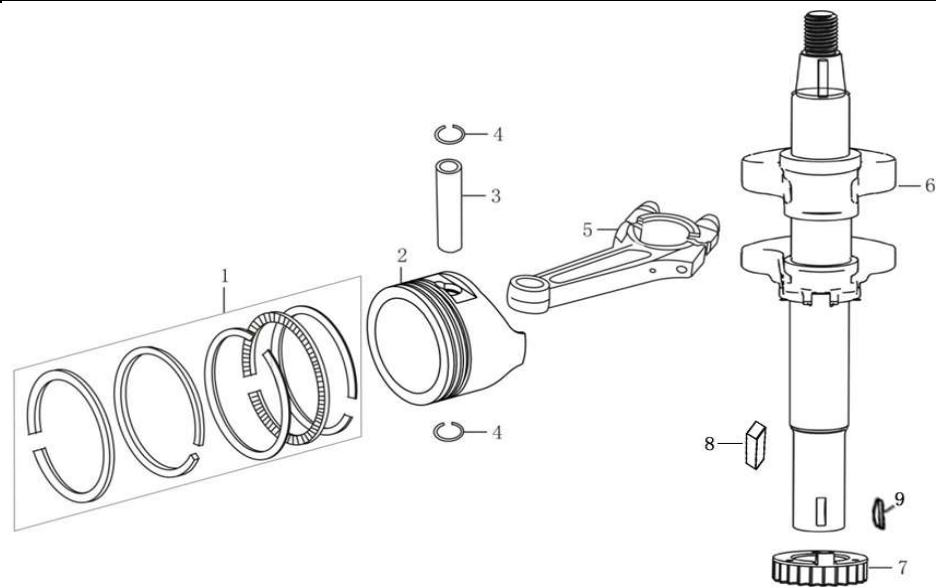


序号 No.	零部件件号 Part No.	Description	规格状态	数量
				Reqd. QTY.
15	293030023-0001	Engine brake	T327;	1
16	381140582-0001	Tension spring	T325_制动器弹簧_15圈;	1
17	380180210-0001	Stud	T327_M6 L=87;镀蓝白锌Q16	2
18	380140100-0003	Hexagon bolt with flange	GB/T 5789 M6 L=25;镀蓝白锌Q16	1
19	110690125-0002	Oil rule combination	T327_2#;本色黑6#Q80	1
20	380180147-0001	Stud	T302 M6 L=70.5;镀蓝白锌Q16	2
21	380822360-0001	Bushing	T320 外径10(带Φ14.5台阶) 内径6.5	1
22	160200082-0001	Side plate	T327_箱体左侧护罩;镀蓝白锌Q16	1



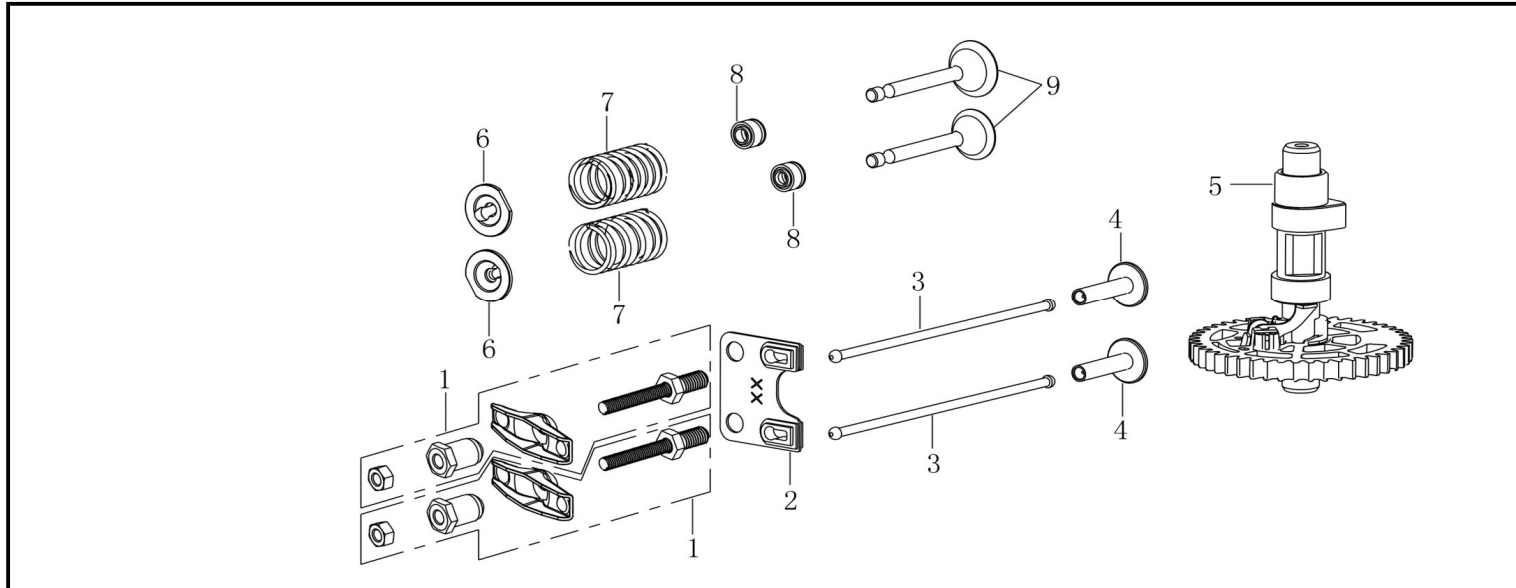
曲轴箱盖 (Crankcase cover)

序号 No.	零部件件号 Part No.	Description	规格状态	数量
				Reqd. QTY.
1	380140103-0004	Hexagon bolt with flange	GB/T 5789 M6 L=25;镀蓝白锌Q16	9
2	110820198-0002	Crankcase cover	T327;通机规格变更单FM202205250360	1
3	380650893-0001	Oil seal	T327 d=25.4 D=41.25 b=6 丙烯酸脂CII;满足REAC	1
4	171630031-0001	Speed regulating arm	T327;	1
5	380450527-0001	Flat washer	T05K T21 内径6 外径13 厚度1 65Mn;氧化Q07	1
6	380650338-0001	Oil seal	T320 d=6 D=11 b=4;	1
7	381350004-0001	Pin clip	T040 调速臂用;	1
8	380600241-0001	ocation pin	T323 d=6 L=16;	2
9	171750039-0001	Components of governor gear	T327 直齿;	1
10	380140167-0002	Hexagon bolt with flange	GB/T 16674.1 M5 L=12;镀蓝白锌Q16	1



### 曲轴/活塞 (CRANKSHAFT/PISTON)

序号 No.	零部件号 Part No.	Description	规格状态	数量
				Reqd. QTY.
1	130070150-0001	Piston ring combination	T320_一二环槽宽1mm;	1
2	130030375-0001	Piston	T327_桶型活塞, 一、二环厚1mm, 组合环厚2.5mm, 压	1
3	130060030-0001	Piston pin	T030_ $\phi 13 \times 47$ ;	1
4	380560055-0001	Steel cable baffle ring	T030_活塞销挡圈;	2
5	130150142-0001	Connecting rod	T327_中心距78;	1
6	130290672-0001	crankshaft	T327_F轴 球墨铸铁;	1
7	130230061-0001	Timing driving wheel	T327_正时主动齿轮 直齿;	1
8	380620030-0001	Key	GB/T1095 L=38 4.78 $\times$ 4.78 A型;	1
9	380620119-0001	Key	ANSI B17.2-1967 (R1998)_5/32 $\times$ 5/8;	1



配气机构 (CAMSHAFT)

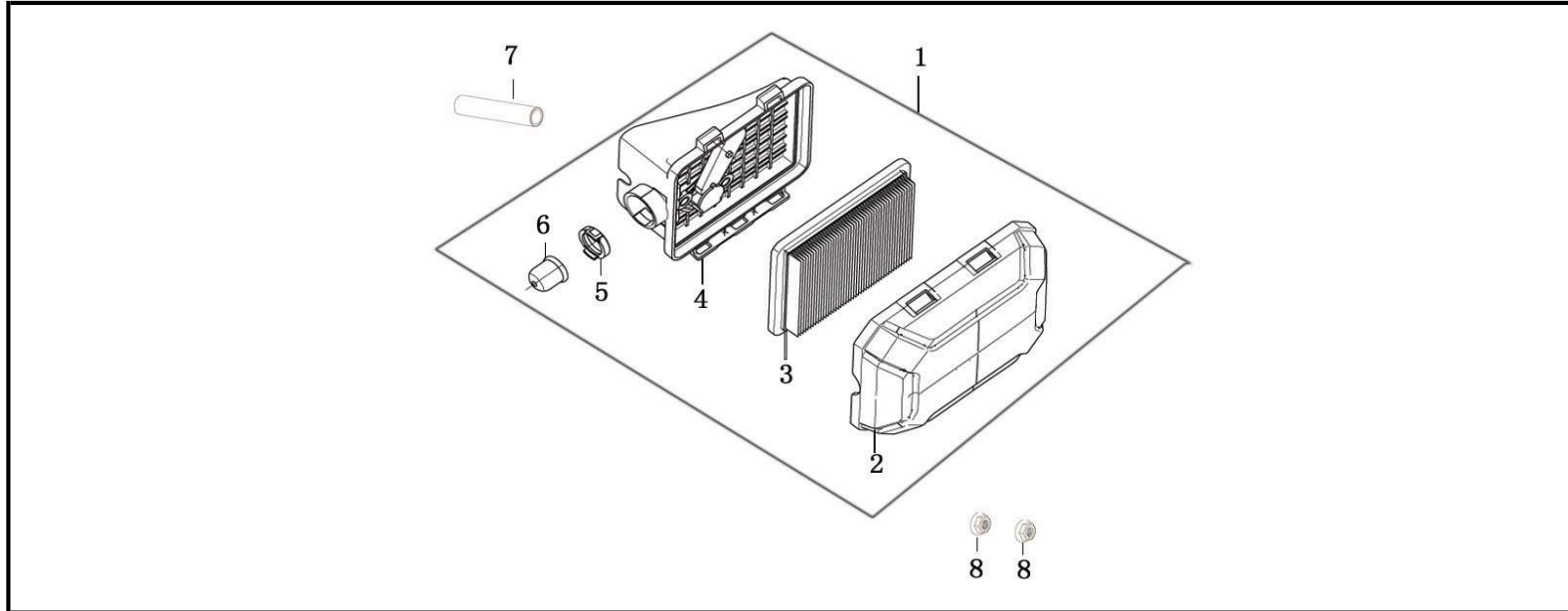
序号 No.	零部件件号 Part No.	Description	规格状态	数量
				Reqd. QTY.
1	140450060-0001	Valve rocker combination	T323;	2
2	140710013-0002	Plate, push rod guide	T323;通机工程更改通知单号2017-0180_镀蓝白锌Q	1
3	140670028-0001	Push rod	T302 长127.5 整体实芯;	2
4	140690021-0001	Lifter, Valve	T290; 含Hg/Cr6/Pb/PBB/PBDE≤1000ppm, Cd≤100pp	2
5	140020174-0001	Camshaft assy	T327 直齿;	1
6	140380020-0001	Retainer, valve spring	T320 排气门用;	2
7	140340039-0001	Inner spring of valve	T322 7圈; 含Hg/Cr6/Pb/PBB/PBDE≤1000ppm, Cd≤1	2
8	140400016-0001	Valve oil seal	T05K; 含Hg/Cr6/Pb/PBB/PBDE≤1000ppm, Cd≤100pp	2
9	500550034-0001	Valve Kit	T320;	1











空滤器 (AIR CLEANER)

序号 No.	零部件件号 Part No.	Description	规格状态	数量
				Reqd. QTY.
1	180021124-0002	Air filter	T327_4# 带加浓阀和加浓阀固定件;满足REACH要求	1
2	180070264-0001	Air filter casing cover	T327;	1
3	180130178-0001	Air filter element	T321 滤芯体;	1
4	180280128-0001	Air filter seat	T327;	1
5	173270002-0001	Starting valve fixture	T320;	1
6	170260008-0001	primer valve	T320;	1
7	380741304-0002	Breather tube	T327;满足ROHS要求	1
8	380370066-0001	Hexagon nut with flange	GB/T 6177.1_不带防滑齿_M6;镀蓝白锌Q16	2





