

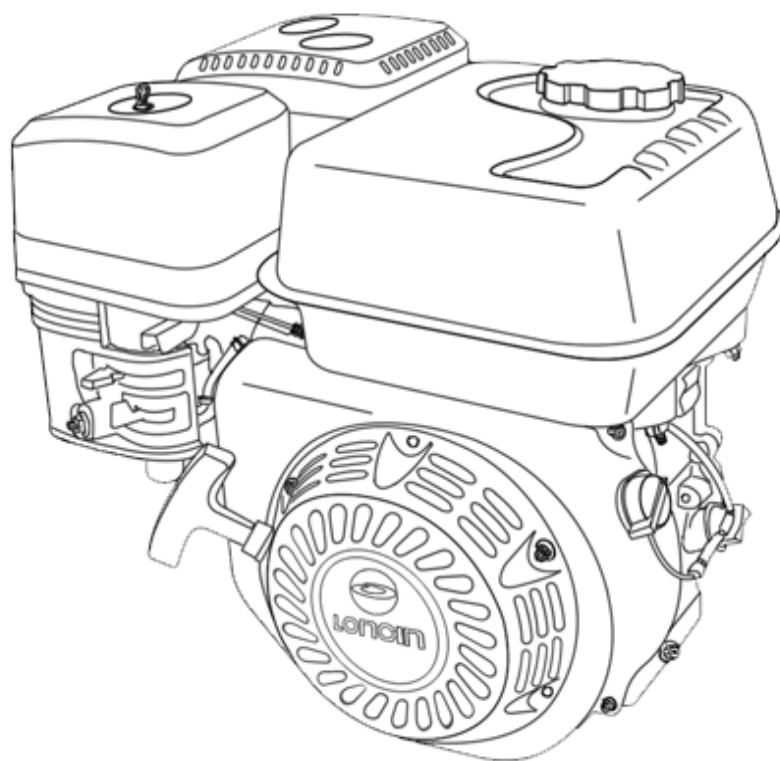


汽油机零部件图册

DRAWING OF ENGINE

LC168F (D) -I
LC168F (D) -II
LC168F (D) -IB
LC168F (D) -IIB
LC168F (D) -IC
LC168F (D) -IIC

G160F (D)
G200F (D)
G160F (D) -B
G200F (D) -B
G160F (D) -C
G200F (D) -C



重庆隆鑫通机动力有限公司

CHONGQING LONCIN GENERAL PURPOSE ENGINE CO., LTD.

零件目录使用说明(Instruction for use of parts catalogue)

本零件目录是根据2004年8月所能得到的最新资料编制而成的。

This parts catalogue was prepared based on the latest information available as of August 2004.

请注意2004年8月以后本零部件目录的修订通知。

See the parts catalogue news for any revision that is made after August 2004.

当订购零件时，一定要明确指出其零件编号。

Always specify the part number when ordering a part.

注意本零件目录所给出的图形可能与实际零件外形有所不同。

Note that the illustrations can differ from the actual parts in shape.

当需要对零部件目录的内容进行更改或增加时，本公司将在适当的时间出版修订版，为保证在任何时候都可以使用到最新版本的零部件目录建议拥有最新的修订版本。如果要检查修订版本是否已经发行，请直接与LONCIN联系。

When modifications or additions to this parts catalogue are made, a revised edition will be issued at an appropriate time, We recommend obtaining such revisions in order to keep your parts catalogue up-to-date at all times. To check whether a parts catalogue revision has been issued, please contact your LONCIN distributor.

示例 (Example)

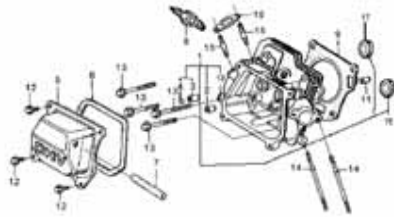
序号 No.	零部件图号 Part No.	零部件名称	Description	数量 (Reqd. QTY)		
				LC168F(D)-I		
10	080801-100	飞轮螺母	NUT, SPECIAL	1		
11	110100-136	飞轮总成	FLYWHEEL COMP	(1)		

LC168F(D)-I表示LC168F-I及LC168FD-I；[LC168F(D)-I means LC168F-I and LC168FD-I]

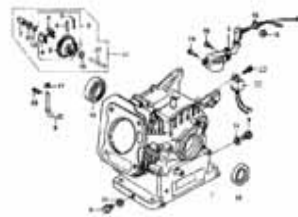
1 表示LC168F-I及LC168FD-I各1个；[1 means LC168F-I has 1 QTY and LC168FD-I has 1 QTY]

(1) 表示LC168F-I没有，LC168FD-I有1个。[(1) means LC168F-I require 0 QTY and LC168FD-I require 1 QTY]

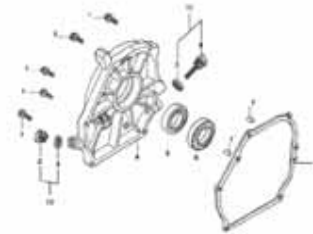
汽缸头 (CYLINDER HEAD)



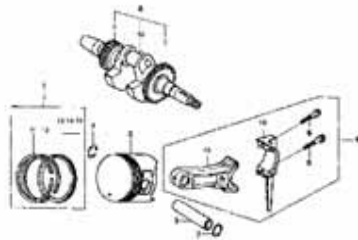
曲轴箱体 (CRANK CASE)



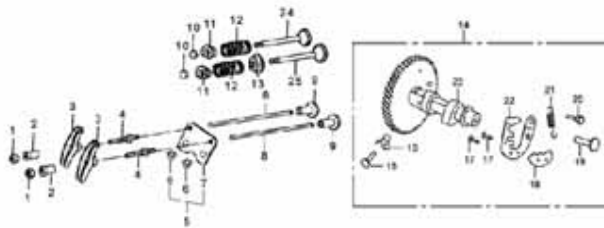
曲轴箱盖 (CRANK CASE COVER)



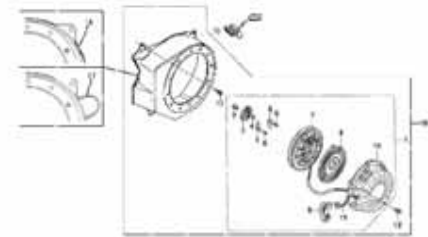
曲轴/活塞 (CRANKSHAFT/PISTON)



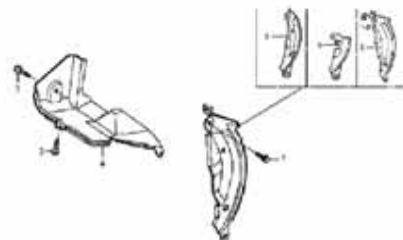
配气系统 (GAS DISTRIBUTION ADJUSTMENT)



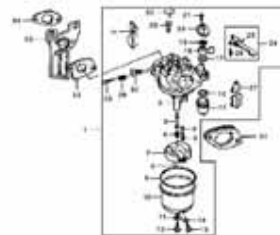
起动机组件 (STARTER SUBASSEMBLY)



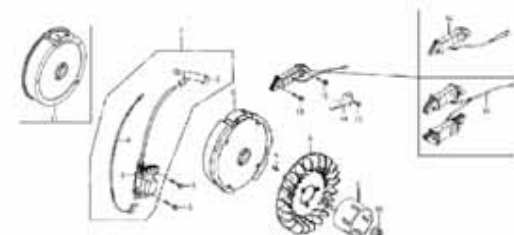
导风部件 (DIVERSTON ASSY.)



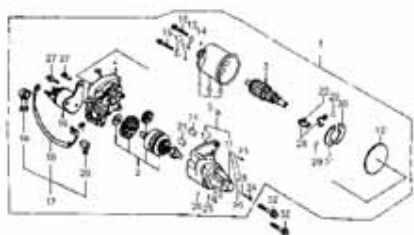
化油器 (CARBURETOR)



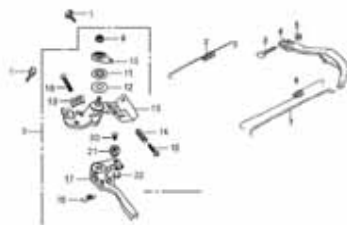
飞轮/点火线圈 (FLYWHEEL/COIL ASSY.)



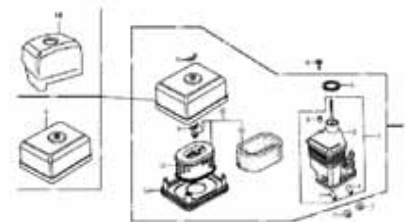
启动电机 (STARTER MOTOR)



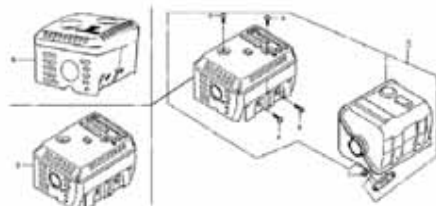
调速控制系统 (CONTROL SYSTEM)



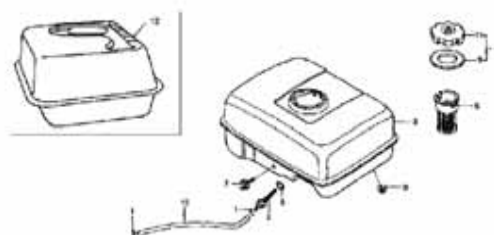
空滤器 (AIR CLEANER)



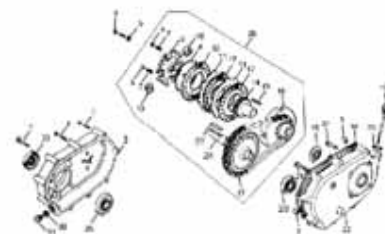
消音器 (MUFFLER)



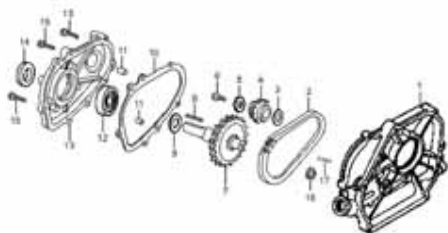
燃油箱 (FUEL TANK)

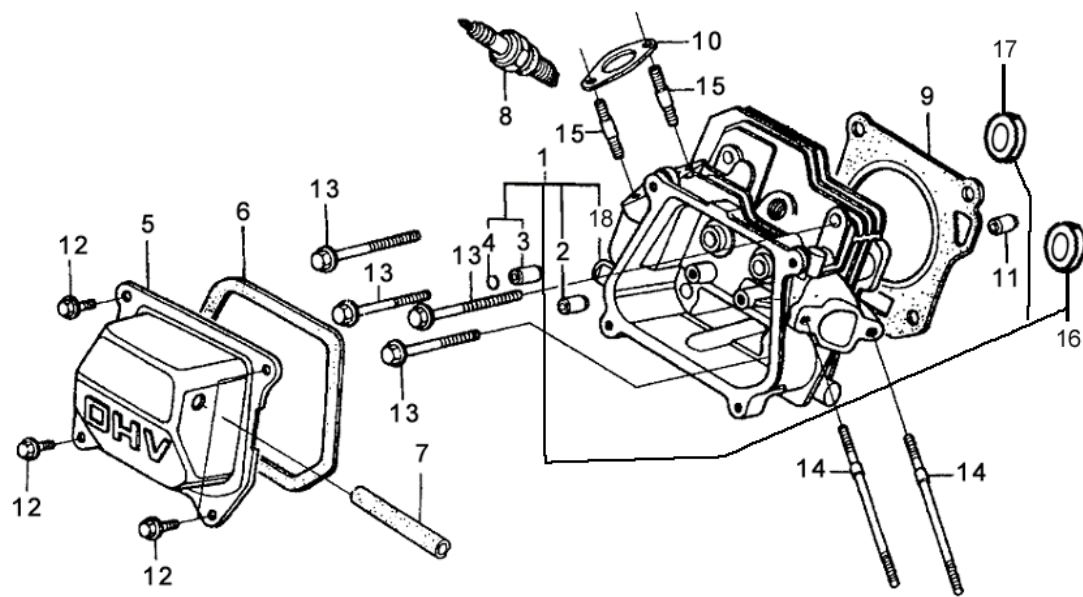


离合器减速箱 (CLUTCH RETARDER)



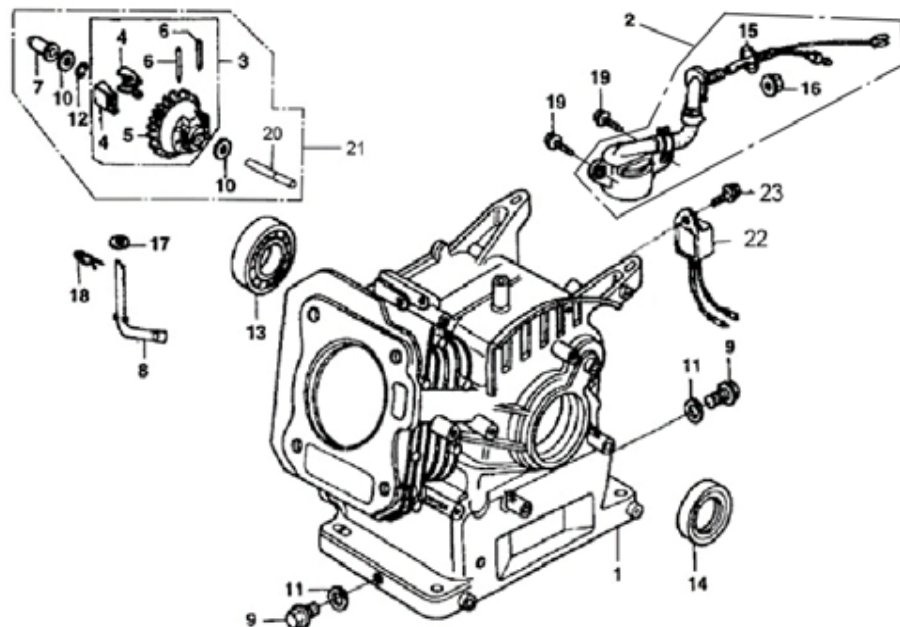
减速箱 (RETARDER)





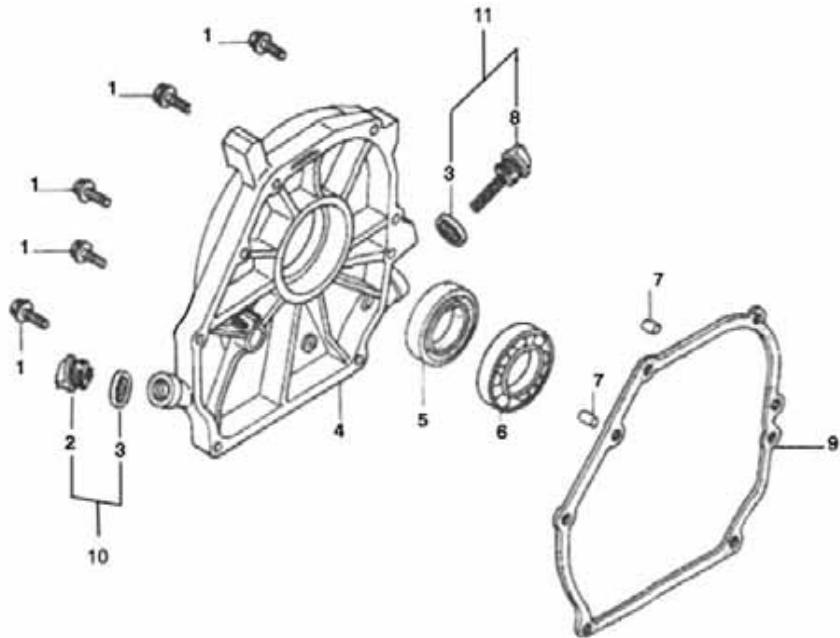
汽缸头 (CYLINDER HEAD)

序号 No.	零部件图号 Part No.	零部件名称	Description	数量 (Reqd. QTY)			
				LC168F(D)-I	LC168F(D)-II	G160F(D)	G200F(D)
1	101100-129	汽缸头	HEAD COMP.,CYLINDER	1	-	1	-
	101100-133	汽缸头	HEAD COMP.,CYLINDER	-	1	-	1
2	101152-129	进气门导管	GUIDE, IN. VALVE	1	1	1	1
3	101153-129	排气门导管	GUIDE, EX. VALVE	1	1	1	1
4	101154-129	气门导管夹	CLIP, VALVE GUIDE	1	1	1	1
5	101200-129	缸头盖组合	COVER COMP., HEAD	1	1	1	1
6	101002-129	缸头盖密封垫	PACKING, HEAD COVER	1	1	1	1
7	112002-129	废气管	TUBE, BREATHER	1	1	1	1
8	101001-129	火花塞	PLUG, SPARK	1	1	1	1
9	101003-129	汽缸垫	GASKET, CYLINDER	1	-	1	-
	101003-133	汽缸垫	GASKET, CYLINDER	-	1	-	1
10	113001-129	消声器垫	GASKET, MUFFLER	1	1	1	1
11	081202-100	定位销 10×14	PIN, DOWEL	2	2	2	2
12	SB0614-0000000DL	螺栓 M6×14	BOLT, FLANGE, 6×14	4	4	4	4
13	080201-100	缸头螺栓	BOLT, FLANGE, 8×55	4	4	4	4



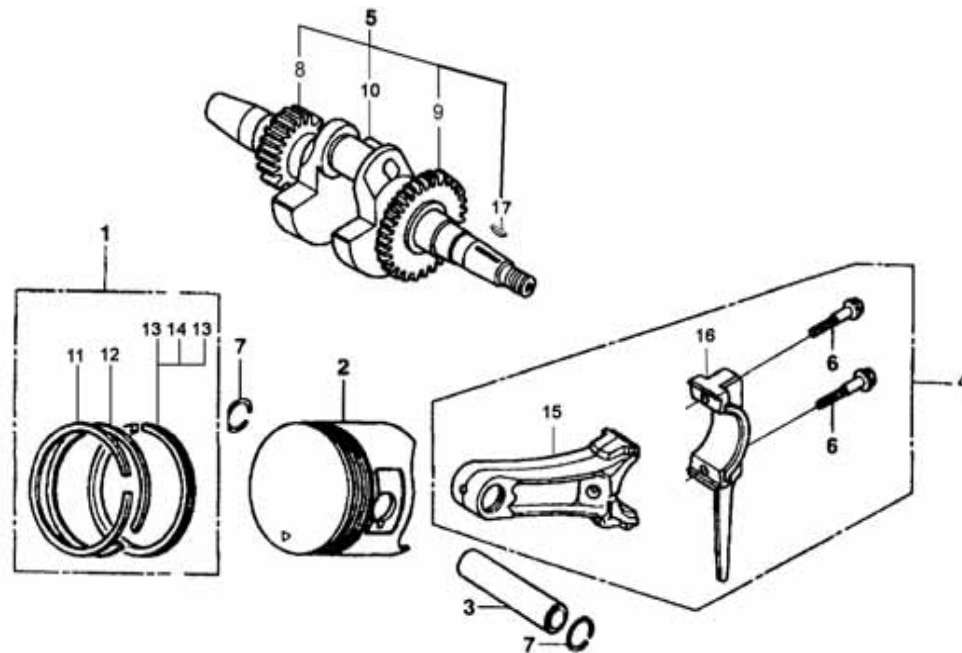
曲轴箱体 (CRANK CASE)

序号 No.	零部件图号 Part No.	零部件名称	Description	数量 (Reqd. QTY)			
				LC168F(D)-I	LC168F(D)-II	G160F(D)	G200F(D)
1	102100-129	曲轴箱体	CRANK CASE	1	-	1	-
	102100-133	曲轴箱体	CRANK CASE	-	1	-	1
2	102200-129	机油传感器	OIL LEVEL SWITCH	1	1	1	1
3	115254-129	尼龙齿轮组合	GOVERNOR GEAR ASSY.	1	1	1	1
4	115256-129	调速飞块	WEIGHT, GOVERNOR	2	2	2	2
5	115255-129	调速尼龙齿轮	GEAR, GOVERNOR	1	1	1	1
6	115257-129	调速飞块销	PIN, GOVERNOR WEIGHT	2	2	2	2
7	115251-129	调速帽	SLIDER, GOVERNOR	1	1	1	1
8	115005-129	调速臂	SHAFT, GOVERNOR ARM	1	1	1	1
9	080301-100	放油螺栓	BOLT, DRAIN PLUG	2	2	2	2
10	115258-129	平垫	WASHER, PLAIN	2	2	2	2
11	080710-100	放油螺栓平垫	WASHER, DRAIN PLUG	2	2	2	2
12	115252-129	调速芯轴卡圈	CLIP, GOVERNOR HOLDER	1	1	1	1
13	081610-10000030	轴承6205	BEARING, RADIAL BALL	1	1	1	1
14	081118-100	油封25 × 41.25 × 6	OIL SEAL 25×41.25×6	1	1	1	1



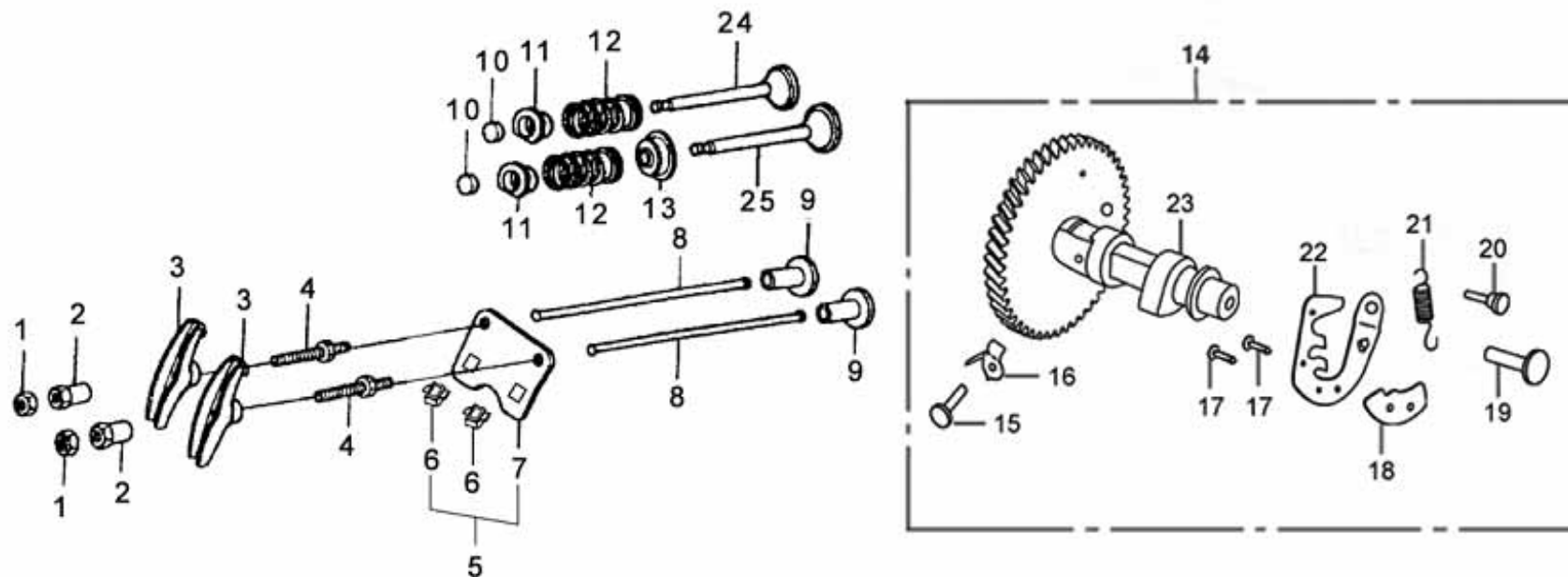
曲轴箱盖 (CRANK CASE COVER)

序号 No.	零部件图号 Part No.	零部件名称	Description	数量 (Reqd. QTY)			
				LC168F(D)-I	LC168F(D)-II	G160F(D)	G200F(D)
1	SB0832-0000000DL	螺栓M8 × 32	BOLT , FLANGE	6	6	6	6
2	103251-129	机油塞尺	OIL STICK	1	1	1	1
3	103152-129	机油标尺密封圈	PACKING , OIL FILLER CAP	2	2	2	2
4	103001-129	曲轴箱盖	COVER	1	1	1	1
5	081118-100	油封25 × 41.25 × 6	OIL SEAL	1	1	1	1
6	081610-100000030	轴承6205	BEARING	1	1	1	1
7	081210-100	定位销 8 × 14	PIN , DOWEL	2	2	2	2
8	103151-129	机油标尺	OIL FILLER CAP	1	1	1	1
9	103002-129	曲轴箱盖密封垫	PACKING , CASE COVER	1	1	1	1
10	103200-129	机油塞尺组合	OIL FILLER ASSY.	1	1	1	1
11	103100-129	机油标尺组合	CAP ASSY.	1	1	1	1
12							
13							
14							
15							



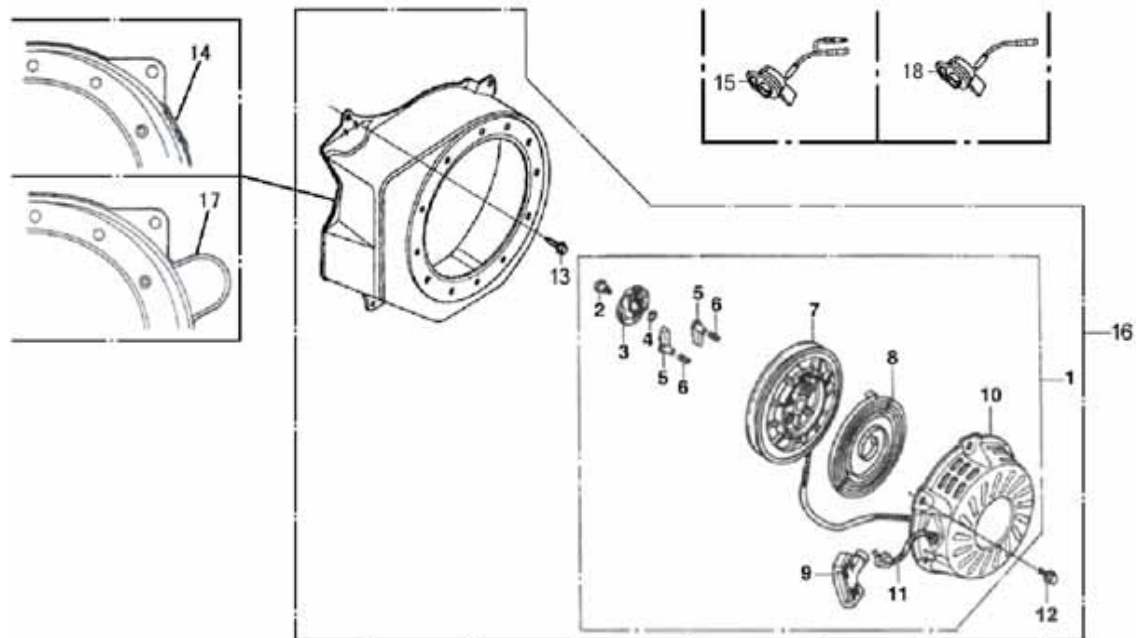
曲轴/活塞 (CRANKSHAFT/PISTON)

序号 No.	零部件图号 Part No.	零部件名称	Description	数量 (Reqd. QTY)			
				LC168F(D)-I	LC168F(D)-II	G160F(D)	G200F(D)
1	105100-129	活塞环	RING SET	1	1	1	1
2	105001-129	活塞	PISTON	1	-	1	-
	105001-133	活塞	PISTON	-	1	-	1
3	105002-129	活塞销	PIN , PISTON	1	1	1	1
4	105200-129	连杆	ROD ASSY ., CONNECTING	1	1	1	1
5	104100-129	曲轴	CRANKSHAFT COMP	1	-	1	-
	104100-133	曲轴	CRANKSHAFT COMP	-	1	-	1
6	102253-129	连杆螺栓	BOLT , CONNECTING ROD	2	2	2	2
7	105003-129	活塞销挡圈	CLIP , PISTON PIN	2	2	2	2
8	104153-129	正时齿轮	GEAR, TIMING	1	1	1	1
9	104152-129	调速主动齿轮	GEAR, CRANKSHAFT	1	1	1	1
10	104151-129	曲轴本体	CRANKSHAFT	1	-	1	-
	104151-133	曲轴本体	CRANKSHAFT	-	1	-	1
11	105151-129	第一道环	RING , FIRST	1	1	1	1
12	105152-129	第二道环	RING , SECOND	1	1	1	1



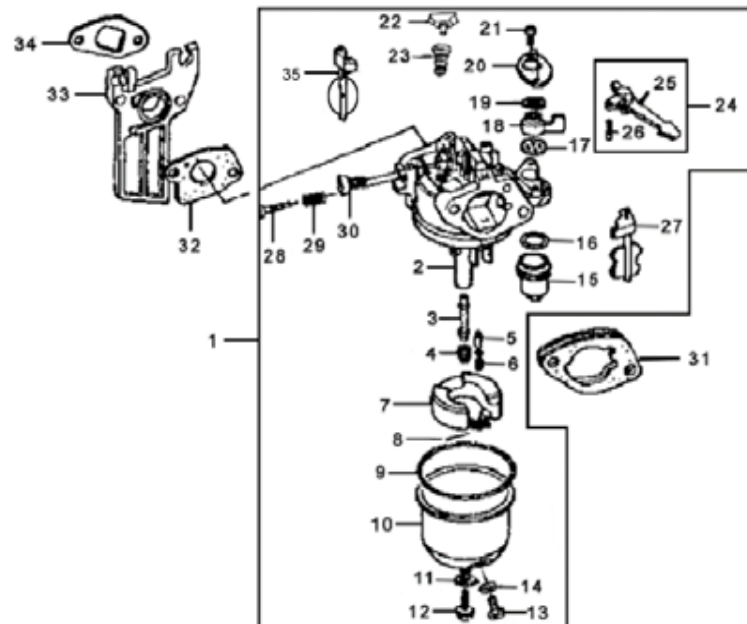
配气系统(GAS DISTRIBUTION ADJUSTMENT)

序号 No.	零部件图号 Part No.	零部件名称	Description	数量 (Reqd. QTY)			
				LC168F(D)-I	LC168F(D)-II	G160F(D)	G200F(D)
1	106354-129	气门锁紧螺母	NUT , PIVOT ADJUSTING	2	2	2	2
2	106353-129	气门调整螺母	PIVOT , ROCKER ARM	2	2	2	2
3	106351-129	摇臂	ARM , VALVE ROCKER	2	2	2	2
4	106352-129	气门调整螺栓	BOLT , PIVOT , ARM	2	2	2	2
5	106200-129	推杆限位组合	PLATE ASSY.,	1	1	1	1
6	106252-129	推杆导向块	BLOCK , GUIDE	2	2	2	2
7	106251-129	推杆限位板	PLATE , PUSH ROD GUIDE	1	1	1	1
8	106002-129	推杆	ROD , PUSH	2	2	2	2
9	106001-129	挺柱	LIFTER , VALVE	2	-	2	-
	106001-133	挺柱	LIFTER , VALVE	-	2	-	2
10	106008-129	气门调整帽	RATATOR , VALVE	2	2	2	2
11	106006-129	排气门弹簧座	RETAINER , VALVE SPRING	2	2	2	2
12	106005-129	气门弹簧	SPRING , VALVE	2	2	2	2
13	106007-129	挡油罩	SEAL , GUIDE	1	1	1	1
14	106100-129	凸轮轴	CAMSHAFT ASSY.	1	-	1	-



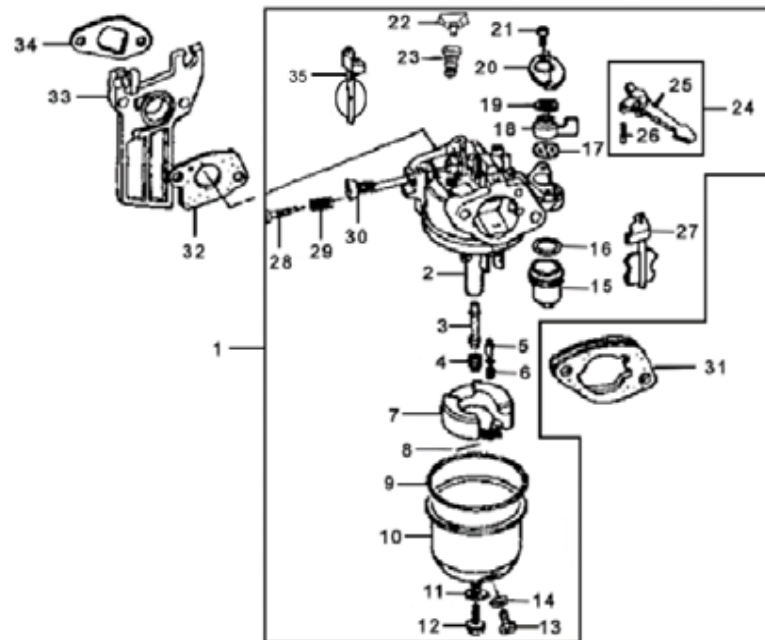
起动机组件 (STARTER SUBASSEMBLY)

序号 No.	零部件图号 Part No.	零部件名称	Description	数量 (Reqd. QTY)			
				LC168F(D)-I	LC168F(D)-II	G160F(D)	G200F(D)
1	107150-129	起动机拉盘	STARTER ASSY.	1	1	1	1
2	107160-129	紧固螺栓	SCREW , SETTING	1	1	1	1
3	107156-129	压块	GUIDE , RATCHET	1	1	1	1
4	107157-129	弹簧	SPRING , FRICTION	1	1	1	1
5	107151-129	棘爪	RATCHET , STARTER	2	2	2	2
6	107158-129	复位扭簧	SPRING , RETURN	2	2	2	2
7	107154-129	起动机轮	REEL , RECOIL STARTER	1	1	1	1
8	107153-129	平面涡卷弹簧	SPRING , RECOIL STARTER	1	1	1	1
9	107152-129	起动手柄	KNOB , RECOIL STARTER	1	1	1	1
10	107159-129	拉盘罩	COVER COMP ., FAN	1	1	1	1
11	107155-129	拉绳	ROPE	1	1	1	1
12	SB0608-0000000DL	螺栓 M6 × 8	BOLT , FLANGE 6×8	3	3	3	3
13	SB0610-0000000DL	螺栓 M6 × 10	BOLT , FLANGE 6×10	4	4	4	4
14	107250-129	风扇罩组合	COVER COMP ., FAN	1	1	1	1
15	111200-129001000	熄火开关(配机油报警器)	SWITCH ASSY., ENGINE STOP(OIL ALERT)	1	1	1	1



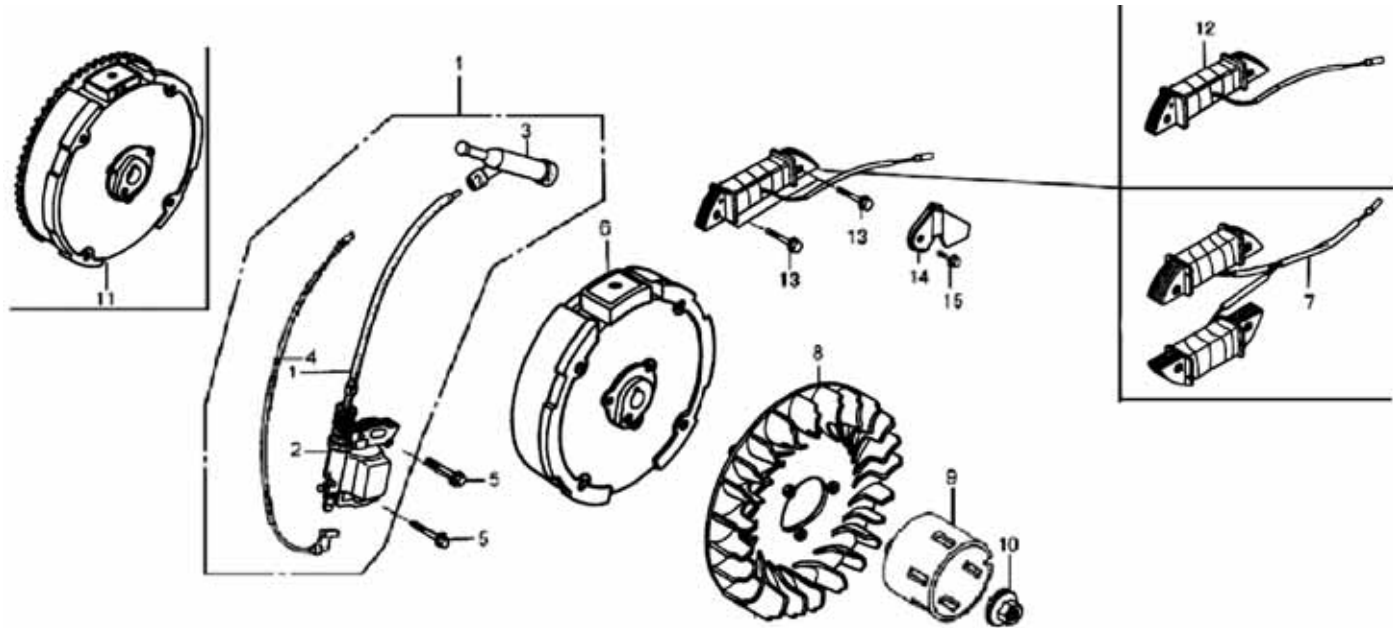
化油器 (CARBURETOR)

序号 No.	零部件图号 Part No.	零部件名称	Description	数量 (Reqd. QTY)			
				LC168F(D)-I	LC168F(D)-II	G160F(D)	G200F(D)
1	109100-129	化油器	CARBURETOR	1	-	1	-
	109100-133	化油器	CARBURETOR	-	1	-	1
2	109151-129	化油器本体	CARBURETOR'S NOUMENON	1	-	1	-
	109151-133	化油器本体	CARBURETOR'S NOUMENON	-	1	-	1
3	109163-129	主喷管	NOZZLE , MAIN	1	-	1	-
	109163-133	主喷管	NOZZLE , MAIN	-	1	-	1
4	109164-129	主量孔	JET , MAIN	1	-	1	-
	109164-133	主量孔	JET , MAIN	-	1	-	1
5	109158-129	浮子阀体	VALVE , FLOAT	1	1	1	1
6	109159-129	浮子阀弹簧	SPRING , VALVE SET	1	1	1	1
7	109153-129	浮子	FLOAT	1	1	1	1
8	109154-129	浮子销	PIN , FLOAT	1	1	1	1
9	109156-129	油杯密封圈	GASKET , OIL CUP	1	1	1	1
10	109155-129	油杯	OIL CUP	1	1	1	1
11	109179-129	油杯螺栓垫片	GASKET , OIL CUP BOLT	1	1	1	1
12	109180-129	油杯螺栓	BOLT , OIL CUP	1	1	1	1



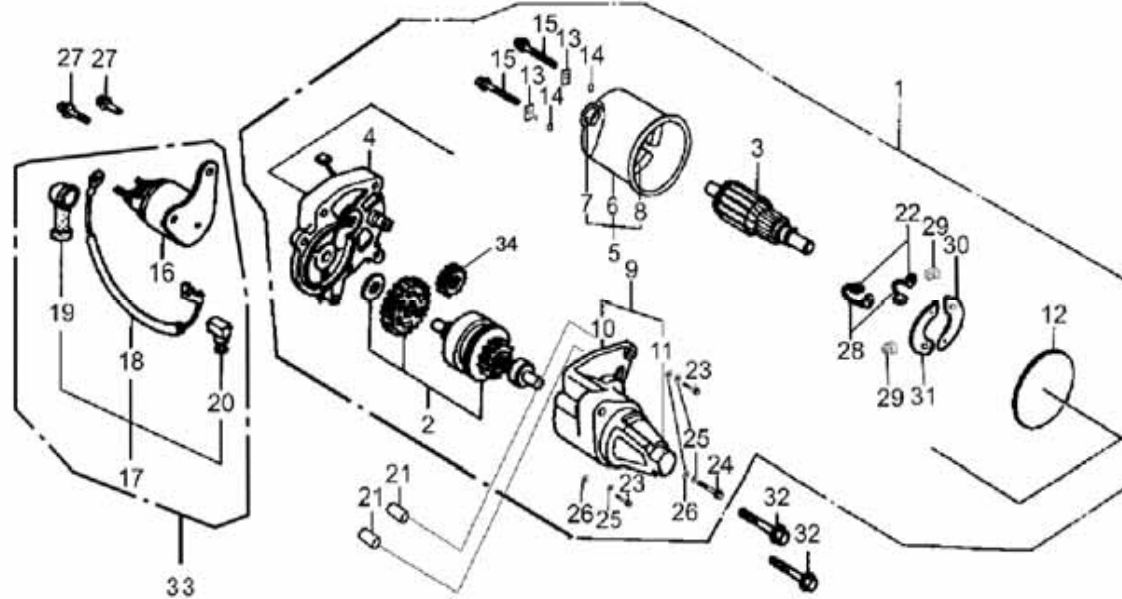
化油器 (CARBURETOR)

序号 No.	零部件图号 Part No.	零部件名称	Description	数量 (Reqd. QTY)			
				LC168F(D)-I	LC168F(D)-II	G160F(D)	G200F(D)
13	109182-129	放油螺栓	DRAIN BOLT	1	1	1	1
14	109181-129	放油螺栓垫片	GASKET , DRAIN BOLT	1	1	1	1
15	109173-133	燃油沉淀杯	CUP , FUEL STRAINER	-	1	-	1
16	109184-133	燃油沉淀杯密封圈	PACKING , FUEL STRAINER CUP	-	1	-	1
17	109172-129	油开关密封垫	PACKING , FUEL COCK	-	1	-	1
18	109171-129	油开关手柄	LEVER , COCK	-	1	-	1
19	109183-129	油开关弹簧垫片	SPRING , COCK LEVER	-	1	-	1
20	109170-129	油开关固定盖	PLATE , LEVER SETTING	-	1	-	1
21	D20308	螺钉 M3 × 8	SCREW , PAN , 3×8	-	2	-	2
22	109165-129	怠速量孔堵头	BOTTOM SUB , JET SET	1	1	1	1
23	109162-129	怠速量孔组合	JET SET , PILOT	1	1	1	1
24	109167-129	阻风门手柄组合	LEVER COMP.,CHOKE	1	1	1	1
25	109168-129	阻风门手柄	CHOKE LEVER	1	1	1	1
26	109169-129	阻风门手柄销	PIN , CHOKE LEVER	1	1	1	1
27	109160-129	阻风门组合	CHOKE SET	1	1	1	1



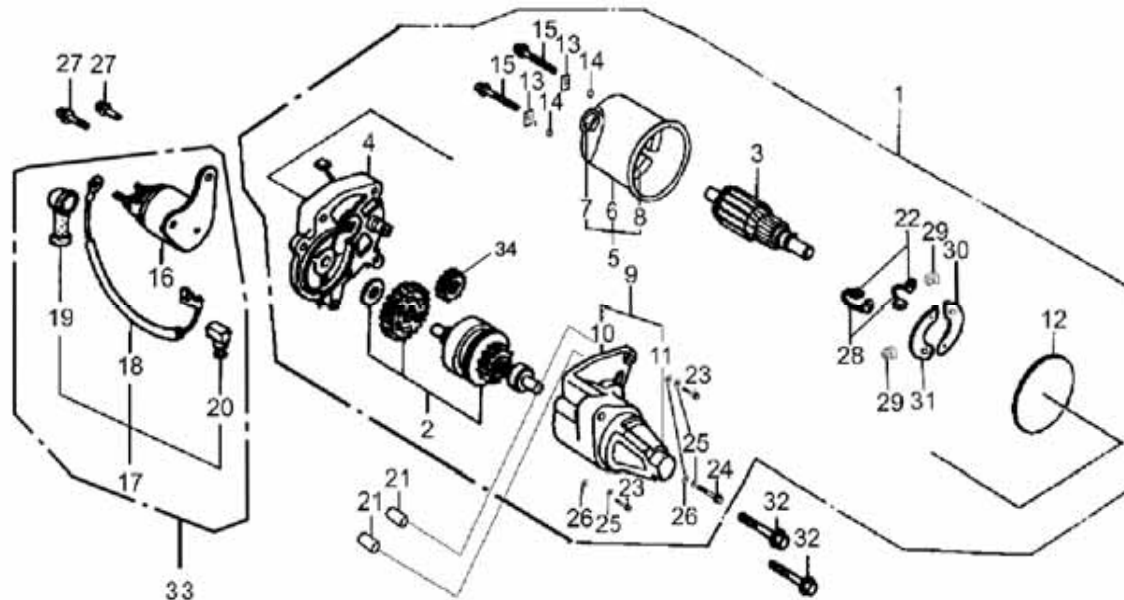
飞轮/点火线圈 (FLYWHEEL/COIL ASSY.)

序号 No.	零部件图号 Part No.	零部件名称	Description	数量 (Reqd. QTY)			
				LC168F(D)-I	LC168F(D)-II	G160F(D)	G200F(D)
1	111100-129	点火器	COIL ASSY . , IGNITION	1	1	1	1
2	111151-129	点火线圈	COIL , IGNITION	2	2	2	2
3	111152-129	火花塞帽	CAP ASSY . , NOISE SUPPRESS	1	1	1	1
4	111153-129	熄火线	CORD , STOP SWITCH	1	1	1	1
5	SB0630-0000000DL	螺栓 M6 × 30	BOLT , FLANGE , 6×30	2	2	2	2
6	110100-129	飞轮	FLYWHEEL COMP	1	1	1	1
7	111300-1562	充电线圈	COIL ASSY . , CHARGE	(1)	(1)	(1)	(1)
8	110001-129	叶轮	FAN , COOLING	1	1	1	1
9	110002-129	起动机杯	PULLEY , STARTER	1	1	1	1
10	080801-100	飞轮螺母	NUT , SPECIAL	1	1	1	1
11	110100-136	飞轮	FLYWHEEL COMP	(1)	(1)	(1)	(1)
12	111300-1561	充电线圈	COIL ASSY . , CHARGE	(1)	(1)	(1)	(1)
13	SB0635-0000000DL	螺栓 M6 × 35	BOLT , FLANGE , 6×35	2	2	2	2
14	111002-136	充电线圈压板	CLAMPER , CORD	(1)	(1)	(1)	(1)
15	SB0608-0000000DL	螺栓 M6 × 8	BOLT , FLANGE , 6×8	(1)	(1)	(1)	(1)



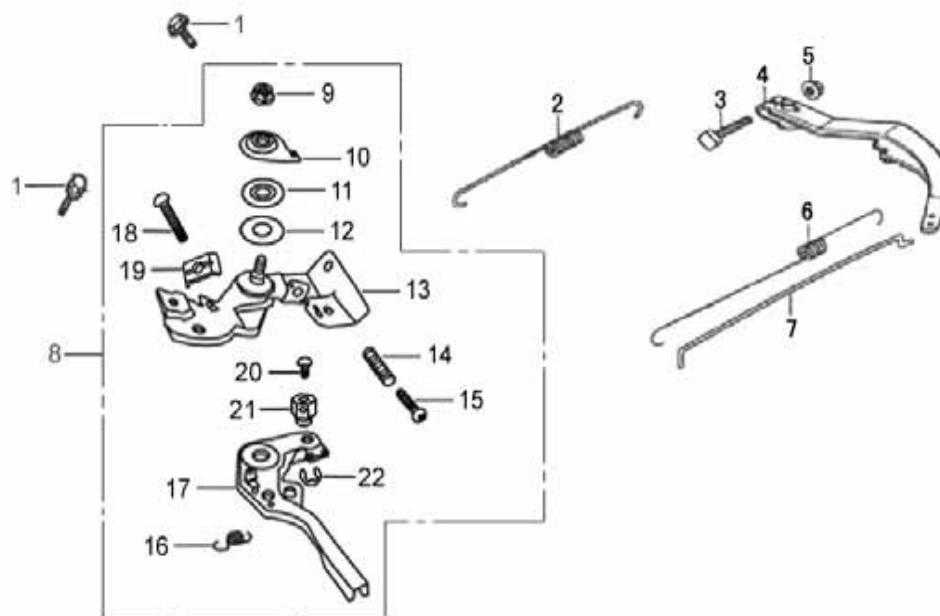
起动机 (STARTER MOTOR)

序号 No.	零部件图号 Part No.	零部件名称	Description	数量 (Reqd. QTY)			
				LC168F(D)-I	LC168F(D)-II	G160F(D)	G200F(D)
1	116100-136	起动机	STARTER MOTOR	(1)	(1)	(1)	(1)
2	116151-136	超越离合器组件	CLUTCH COMP., OVERRUNN	(1)	(1)	(1)	(1)
3	116152-136	转子组件	ARMATURE COMP	(1)	(1)	(1)	(1)
4	116153-136	主支架	BRACKET, CENTER	(1)	(1)	(1)	(1)
5	116165-136	外壳	YOKE COMP	(1)	(1)	(1)	(1)
6	116166-136	外壳体	YOKE	(1)	(1)	(1)	(1)
7	116167-136	轴套	BUSHING RING	(1)	(1)	(1)	(1)
8	116168-136	永磁铁	MAGNET	(1)	(1)	(1)	(1)
9	116169-136	后支架	BRACKET COMP, FR	(1)	(1)	(1)	(1)
10	116170-136	后支架主体	BRACKET	(2)	(2)	(2)	(2)
11	116171-136	衬套	BUSHING RING	(2)	(2)	(2)	(2)
12	116172-136	外壳密封圈	O-RING, YOKE	(2)	(2)	(2)	(2)
13	116173-136	螺栓垫片	WASHER	(2)	(2)	(2)	(2)
14	116174-136	螺栓密封圈	O-RING, BOLT	(2)	(2)	(2)	(2)
15	116175-136	外壳固定螺栓	BOLT, YOKE	(2)	(2)	(2)	(2)



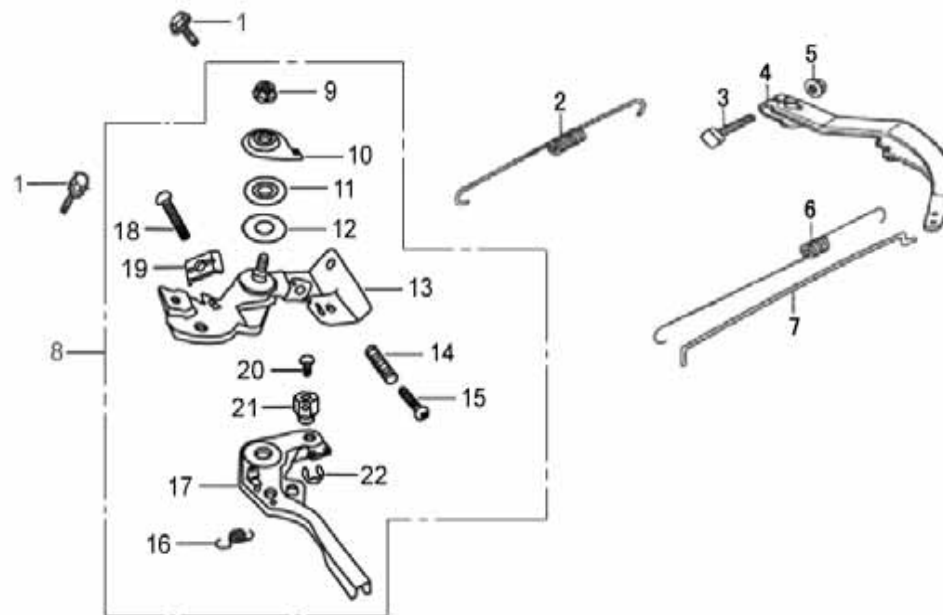
起动机 (STARTER MOTOR)

序号 No.	零部件图号 Part No.	零部件名称	Description	数量 (Reqd. QTY)			
				LC168F(D)-I	LC168F(D)-II	G160F(D)	G200F(D)
16	116201-136	起动机继电器主体	CONTACTOR COMP	(1)	(1)	(1)	(1)
17	116202-136	防水接线	WIRE , WATER COVER	(1)	(1)	(1)	(1)
18	116203-136	接线	CONDUCTING WIRE	(1)	(1)	(1)	(1)
19	116204-136	接线套	INSULATION COVERING	(1)	(1)	(1)	(1)
20	116205-136	防水护套	JACKET, WATER COVER	(1)	(1)	(1)	(1)
21	081209-100	定位销8×10	PIN , 8×10	(1)	(1)	(1)	(1)
22	116158-136	炭刷	BRUSH	(1)	(1)	(1)	(1)
23	D20518	螺钉 M5×18	SCREW , 5×18	(2)	(2)	(2)	(2)
24	D20530	螺钉 M5×30	SCREW , 5×30	(1)	(1)	(1)	(1)
25	Q00500	弹垫 5	SPRING WASHER	(3)	(3)	(3)	(3)
26	Q20500	平垫 5	PACKING	(3)	(3)	(3)	(3)
27	SB0512	螺栓 M5×12	BOLT , 5×12	(2)	(2)	(2)	(2)
28	116159-136	碳刷接线	WIRE , BRUSH	(2)	(2)	(2)	(2)
29	116163-136	涡卷弹簧	SPRING	(2)	(2)	(2)	(2)
30	116161-136	碳刷绝缘支架	INSULATOR	(1)	(1)	(1)	(1)



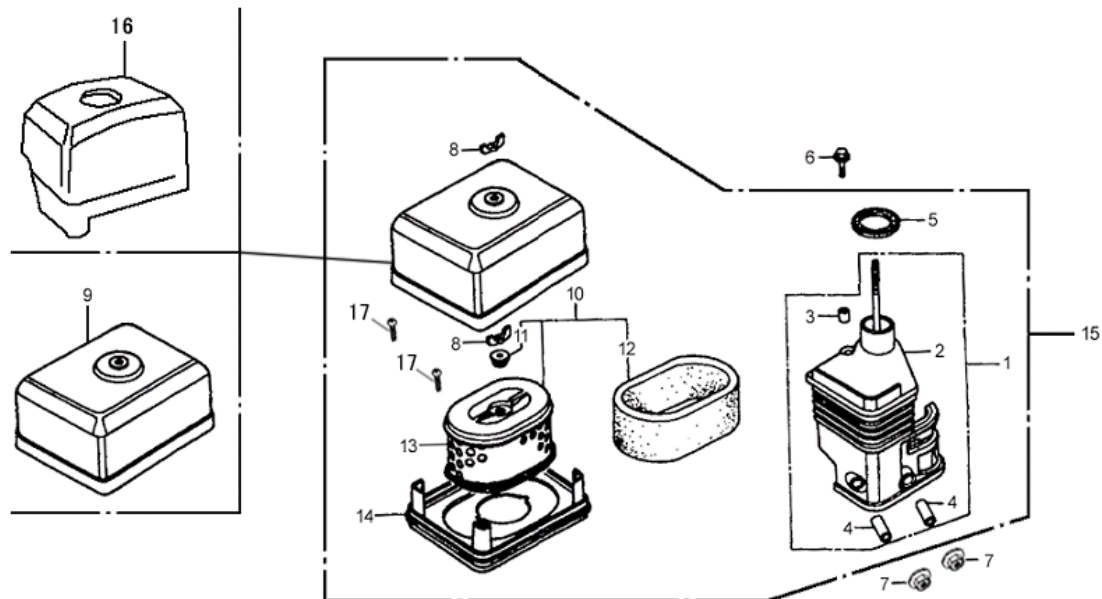
调速控制系统 (CONTROL SYSTEM)

序号 No.	零部件图号 Part No.	零部件名称	Description	数量 (Reqd. QTY)			
				LC168F(D)-I	LC168F(D)-II	G160F(D)	G200F(D)
1	SB0610	螺栓M6×10	BOLT, FLANGE	2	2	2	2
2	115003-129	油门拉簧A	SPRING, GOVERNOR	1	1	1	1
3	080402-100000010	方头螺栓M6 × 21	BOLT, QUADRATE HEAD	1	1	1	1
4	115004-129	调速支架	ARM, GOVERNOR	1	1	1	1
5	M80600-0000000DL	螺母M6	NUT, FLANGE	1	1	1	1
6	115002-129	油门拉簧B	SPRING, THROTTLE RETURN	1	1	1	1
7	115001-129	油门拉杆	ROD, GOVERNOR	1	1	1	1
8	115100-129	油门操纵组合	CONTROL ASSY.	1	1	1	1
9	M80600	螺母M6	NUT, FLANGE	1	1	1	1
10	115151-129	凸型固定块	FIXING PLATE	1	1	1	1
11	115152-129	弹性垫圈	WASHER, METAL	1	1	1	1
12	115153-129	塑料垫圈	WASHER, PLAST	1	1	1	1
13	115160-129	调速支撑板	RETAINER, CONTROL ASSY.	1	1	1	1
14	115155-129	调节弹簧	SPRING	1	1	1	1
15	D20535-0000000DL	螺钉M5 × 35	SCREW , 5×35	1	1	1	1



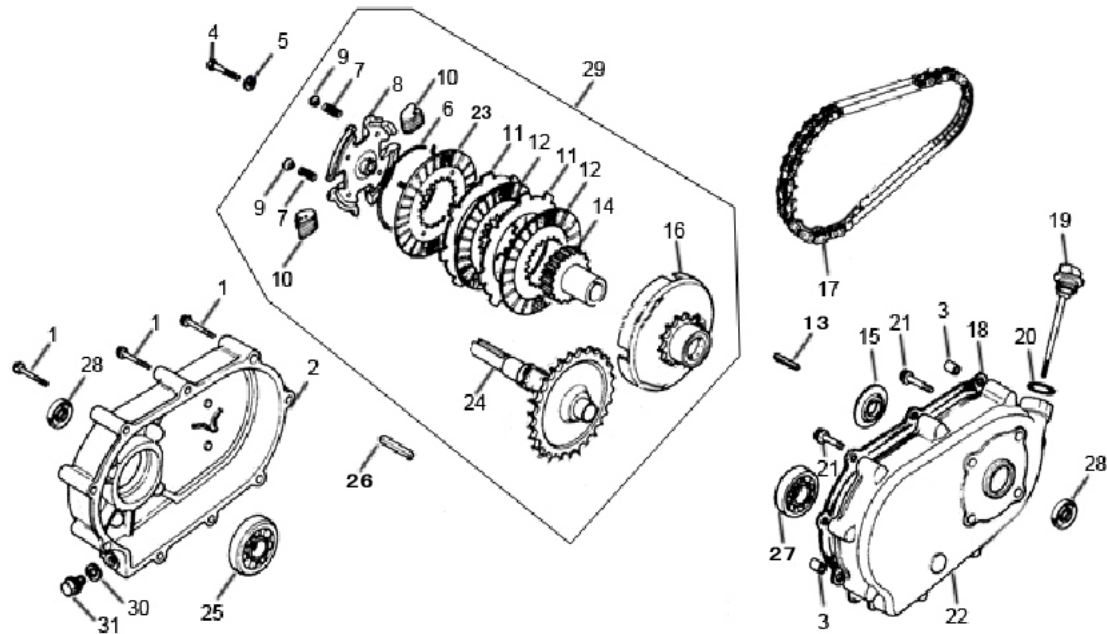
调速控制系统 (CONTROL SYSTEM)

序号 No.	零部件图号 Part No.	零部件名称	Description	数量 (Reqd. QTY)			
				LC168F(D)-I	LC168F(D)-II	G160F(D)	G200F(D)
16	115154-129	拉簧	SPRING , CABLE RETURN	1	1	1	1
17	115156-129	手柄	HANDLE, CONTROL	1	1	1	1
18	D20525-0000000DL	螺钉M5 × 25	SCREW , 5×25	1	1	1	1
19	115157-129	拉索压板	BACK PLATE , DRAGLINE	1	1	1	1
20	D20406-0000000DL	螺钉M4 × 6	SCREW , 4×6	1	1	1	1
21	115158-129	拉索卡	LOCKING RING , DRAGLINE	1	1	1	1
22	A50500-0000000HL	开口挡圈GB896 6	CLIP	1	1	1	1
23							
24							
25							
26							
27							
28							
29							
30							



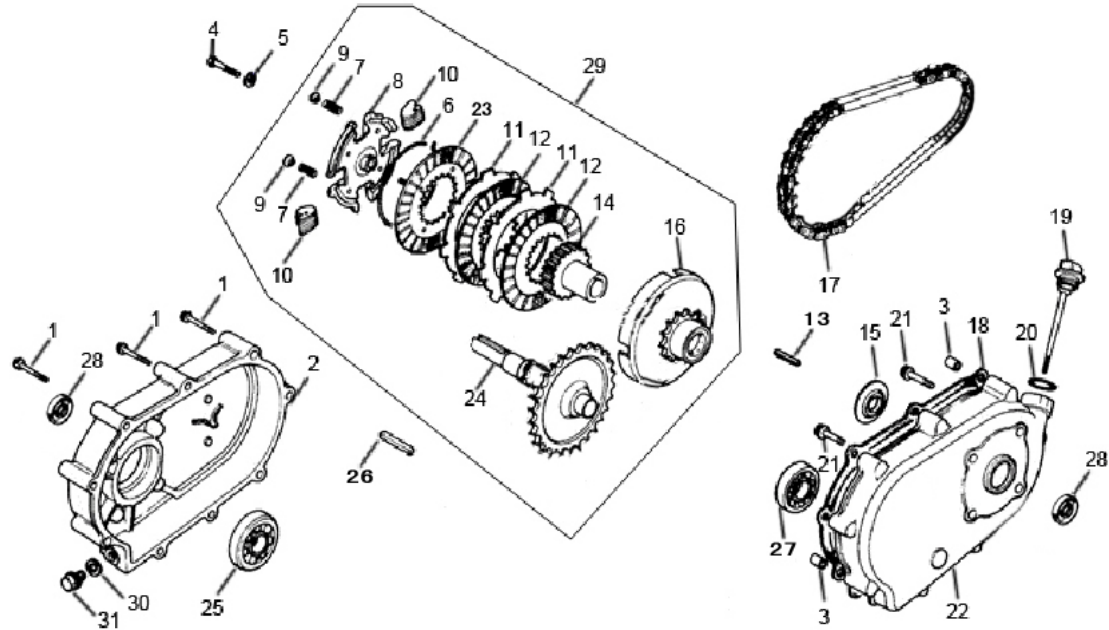
空滤器 (AIR CLEANER)

序号 No.	零部件图号 Part No.	零部件名称	Description	数量 (Reqd. QTY)			
				LC168F(D)-I	LC168F(D)-II	G160F(D)	G200F(D)
1	112154-129	空滤器座	ELBOW COMP., AIR CLEANER	1	1	1	1
2	112155-129	空滤器座体	ELBOW	1	1	1	1
3	112156-129	短衬套	COLLAR, SHORT	2	2	2	2
4	112157-129	长衬套	COLLAR, LONG	2	2	2	2
5	112152-129	密封胶圈	PACKING, ELBOW	1	1	1	1
6	S90620-0000000DL	螺栓 M6 × 20	BOLT, FLANGE, 6×20	1	1	1	1
7	M80600-0000000DL	螺母 M6	NUT, FLANGE, 6MM	2	2	2	2
8	MG0600-0000000YH	蝶型螺母 M6	NUT, TOOL BOX SETTING	2	2	2	2
9	112151-129	空滤器罩	COVER, AIR CLEANER	1	1	1	1
10	112158-129	滤芯	ELEMENT ASSY., AIR CLEANER	1	1	1	1
11	112161-129	滤芯密封垫	GROMMET, AIR CLEANER	1	1	1	1
12	112160-129	粗滤海绵	FILTER, OUTER	1	1	1	1
13	112159-129	滤芯体	ELEMENT	1	1	1	1
14	112153-129	滤芯支撑板	NOSE, SILENCER	1	1	1	1
15	112100-129	空滤器	AIR CLEANER ASSY	1	1	-	-



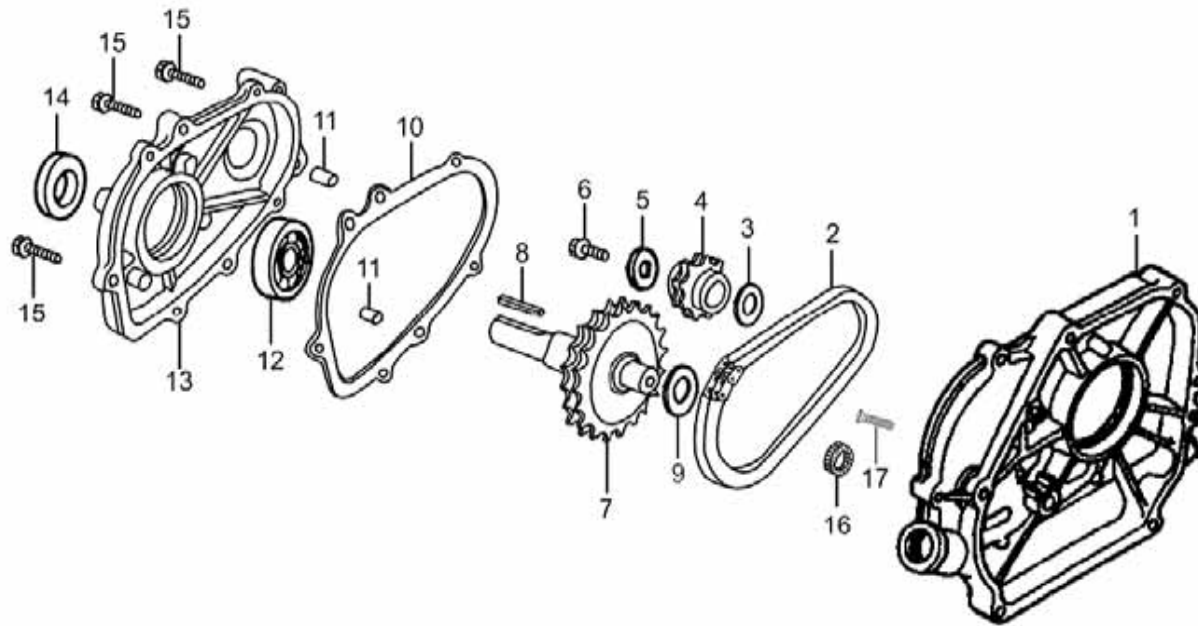
离合器减速箱 (CLUTCH RETARDER)

序号 No.	零部件图号 Part No.	零部件名称	Description	数量 (Reqd. QTY)			
				LC168F(D)-IB	LC168F(D)-IIB	G160F(D)-B	G200F(D)-B
1	SA0655-000000DL	螺栓M6 × 55	BOLT , FLANGE , 6 × 55	9	9	9	9
2	121002-130	减速箱盖	RETARDER CASE COVER	1	1	1	1
3	081210-100	定位销 8 × 14	PIN , DOWEL , 8 × 14	2	2	2	2
4	S90830	螺栓M8 × 30	BOLT , FLANGE , 8 × 30	1	1	1	1
5	Q50800	垫圈 8.4 × 15 × 1.6	WASHER , HOLDER , 8.4 × 15 × 1.6	1	1	1	1
6	121308-130	飞块止动圈	RING , LIMITE WEIGHT CIRCUMROTATE	1	1	1	1
7	121359-130	弹簧	SPRING	4	4	4	4
8	121356-130	离合器盖	COVER , CLUTCH	1	1	1	1
9	121361-130	弹簧挡圈	RETAINER , SPRING	4	4	4	4
10	121357-130	飞块	WEIGHT , RETARDER	48	48	48	48
11	121367-130	钢片	STEEL SLICE , RETARDER	2	2	2	2
12	121368-130	内摩擦片	CHAFE SLICE , RETARDER	2	2	2	2
13	081702-100	平键	KEY	1	1	1	1
14	121369-130	定心套	SHAFT SHEATH , RESTRICTION CENTER	1	1	1	1
15	121366-130	隔套	WASHER , THRUST	1	1	1	1



减速箱 (RETARDER)

序号 No.	零部件图号 Part No.	零部件名称	Description	数量 (Reqd. QTY)			
				LC168F(D)-IB	LC168F(D)-IIB	G160F(D)-B	G200F(D)-B
16	121352-130	外罩	MANTLE , RETARDER	1	1	1	1
17	121100-130	链条	CHAIN , RETARDER	1	1	1	1
18	121003-130	减速箱盖纸垫	PACKING , RETARDER CASE COVER	1	1	1	1
19	121251-130	机油尺	OIL STICK	1	1	1	1
20	121252-130	机油尺密封圈	RING , SEAL	1	1	1	1
21	S90825	螺栓M8 × 25	BOLT , FLANGE	5	5	5	5
22	121001-130	减速箱体	RETARDER CASE	1	1	1	1
23	121362-130	端部内摩擦片	PLATE COMP. , CLUTCH PRESSURE	1	1	1	1
24	121363-130	输出轴组合	CHAIN WHEEL , OUTPUT	1	1	1	1
25	081611-100000030	轴承6206	BEARING , RADIAL BALL	1	1	1	1
26	081610-100000030	轴承6205	BEARING , RADIAL BALL	1	1	1	1
27	081702-100	平键	KEY	1	1	1	1
28	081116-100	油封30 × 50 × 8	OIL SEAL , 30 × 50 × 8	1	1	1	1
29	121300-130	离合器总成	CLUTCH ASSY.	1	1	1	1
30	080721-100	放油螺栓垫圈13X22X1	WASHER , DRAIN PLUG	1	1	1	1



减速箱 (RETARDER)

序号 No.	零部件图号 Part No.	零部件名称	Description	数量 (Reqd. QTY)			
				LC168F(D)-IC	LC168F(D)-IIC	G160F(D)-C	G200F(D)-C
1	103001-131	曲轴箱盖	COVER	1	1	1	1
2	121100-131	链条 (双34)	CHAIN	1	1	1	1
3	080726-100	垫片20.5 × 34 × 3.1	WASHER	1	1	1	1
4	121501-131	双链轮	CHAIN WHEEL	1	1	1	1
5	080708-100	垫片8.5 × 25 × 3.5	WASHER	1	1	1	1
6	S90830	螺栓 M8 × 34	BOLT 8 × 30	1	1	1	1
7	121502-131	输出轴	OUTPUT SHAFT	1	1	1	1
8	081703-100	平键	KEY	1	1	1	1
9	080725-100	垫片20.1 × 30 × 0.3	WASHER	1	1	1	1
10	121003-131	减速箱盖纸垫	PACKING	1	1	1	1
11	081210-100	定位销 8 × 14	PIN	1	1	1	1
12	081610-100000030	轴承6205	BEARING , RADIAL BALL	1	1	1	1
13	121002-131	减速箱盖	COVER	1	1	1	1
14	081111-100	油封25 × 41.25 × 5	OIL SEAL	1	1	1	1
15	SA0624-0000000DL	螺栓M6 × 24	BOLT 6 × 24	5	5	5	5

