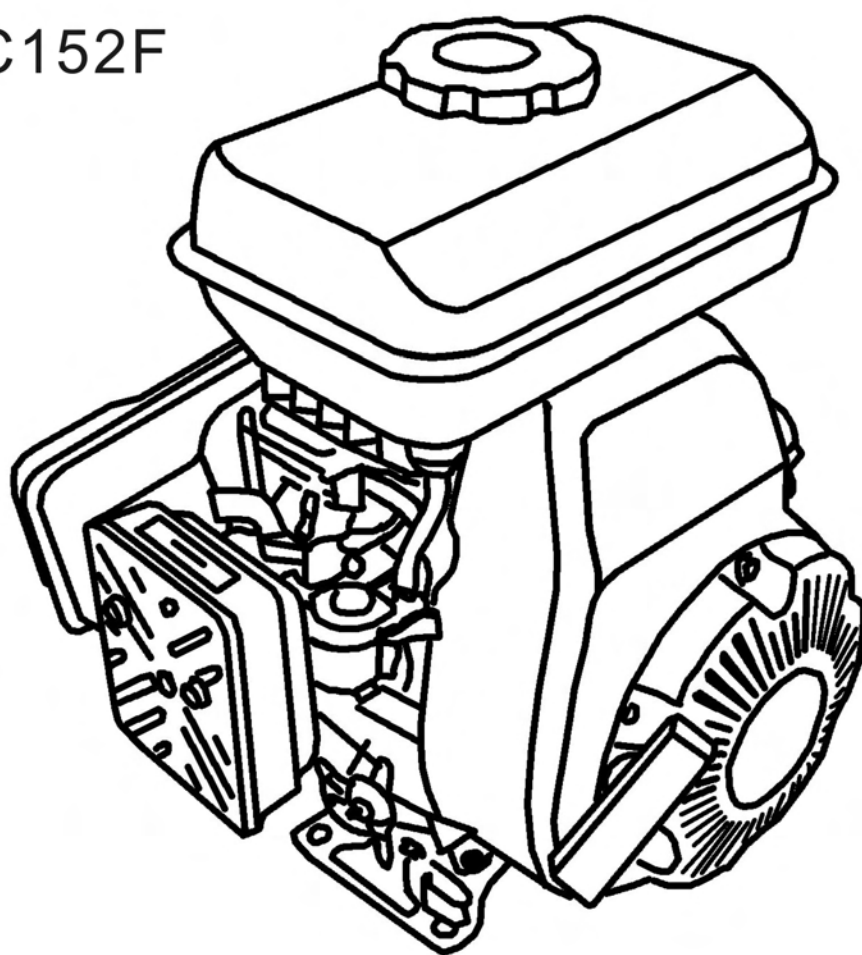




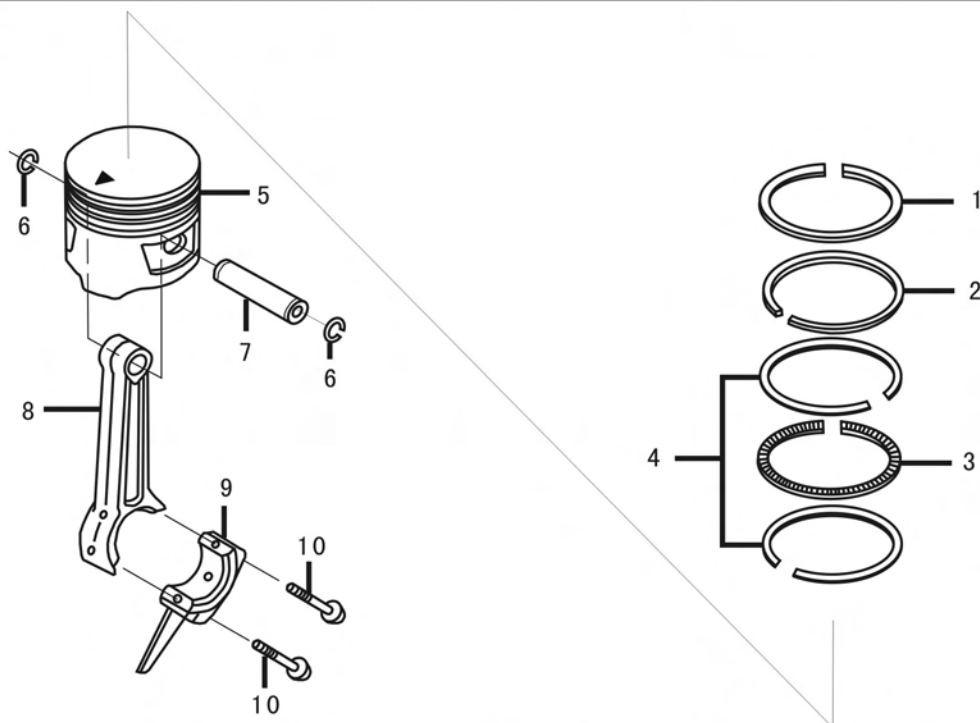
汽油机零部件图册  
DRAWING OF ENGINE

LC152F



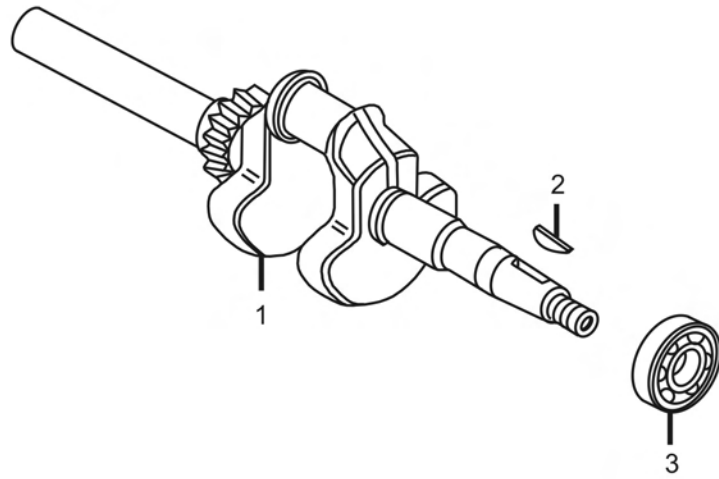
重庆隆鑫通机动力有限公司  
CHONGQING LONCIN GENERAL PURPOSE ENGINE CO.,LTD.

# PISTON/CONNECTONG ROD 活塞/连杆



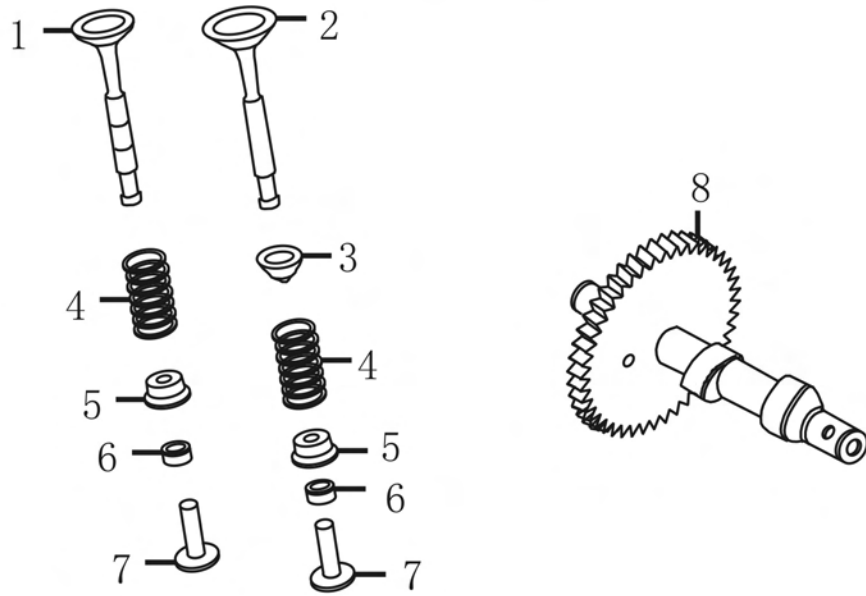
| REF<br>序号 | NUMBER<br>号码 | QTY<br>数量 | DESCRIPTION<br>中文名称         |
|-----------|--------------|-----------|-----------------------------|
| 1         | 030251-169   | 1         | RING SET,PISTON<br>活塞一环     |
| 2         | 030252-169   | 1         | PISTON RING<br>活塞二环         |
| 3         | 030254-169   | 1         | BUSHING RING<br>活塞衬环        |
| 4         | 030255-169   | 1         | OIL RING<br>活塞片环            |
| 5         | 030003-169   | 1         | PISTON<br>活塞                |
| 6         | 030005-169   | 2         | CLIP,PISTON PIN<br>活塞销挡圈    |
| 7         | 030004-169   | 2         | PIN,PISTON<br>活塞销           |
| 8         | 030351-169   | 1         | CONNECTING ROD<br>连杆体       |
| 9         | 030352-169   | 1         | CONNECTING ROD COVER<br>连杆盖 |
| 10        | 030353-169   | 1         | BOLT<br>连杆螺栓                |

# CRANKSHAFT 曲轴



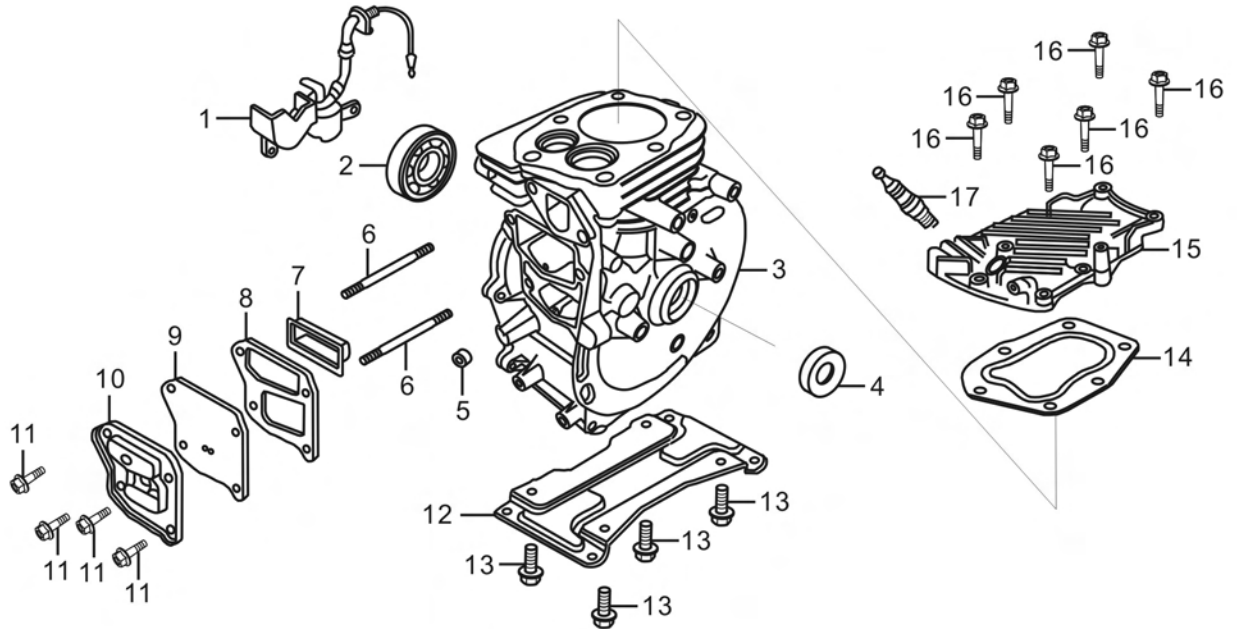
| REF<br>序号 | NUMBER<br>号码     | QTY<br>数量 | DESCRIPTION<br>中文名称         |
|-----------|------------------|-----------|-----------------------------|
| 1         | 030100-169       | 1         | CRANKSHAFT<br>曲轴            |
| 2         | 800502-169       | 1         | KEY,SPECIAL WODDRUFF<br>半圆键 |
| 3         | 081608-100001030 | 1         | BEARING 6203<br>轴承 6203     |

# CAMSHAFT 凸轮轴



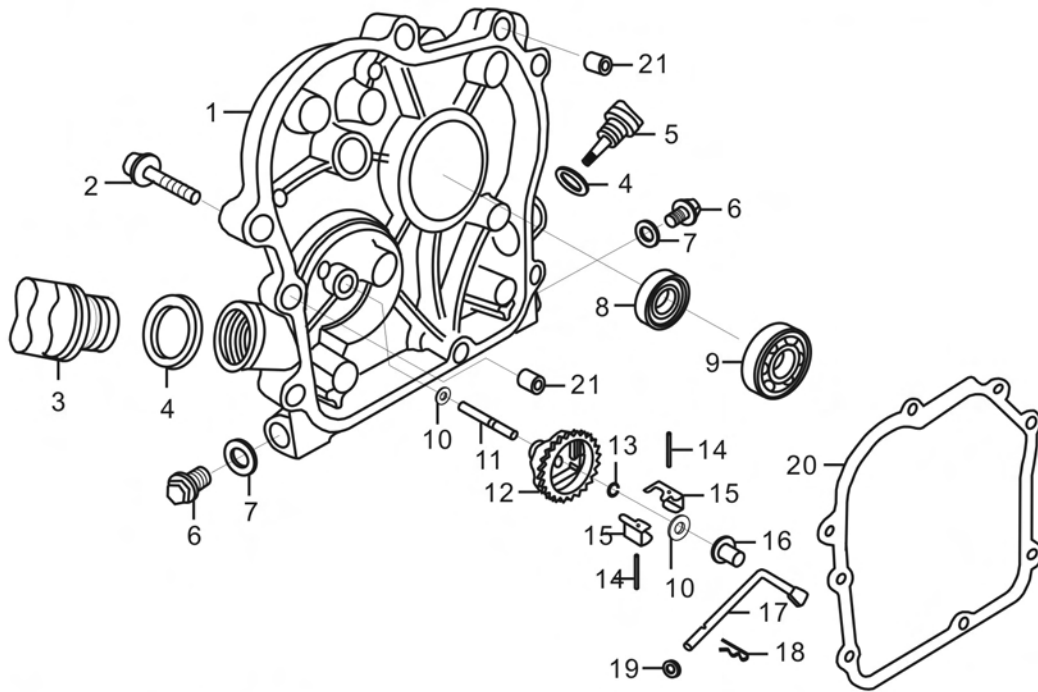
| REF<br>序号 | NUMBER<br>号码 | QTY<br>数量 | DESCRIPTION<br>中文名称          |
|-----------|--------------|-----------|------------------------------|
| 1         | 040004-169   | 1         | VALVE,EX<br>排气门              |
| 2         | 040003-169   | 1         | VALVE,IN<br>进气门              |
| 3         | 040007-169   | 1         | SEAL,GUIDE<br>挡油罩            |
| 4         | 040005-169   | 2         | SPRING,VALVE<br>气门弹簧         |
| 5         | 040006-169   | 2         | RETAINER,VALVE SPRING<br>弹簧座 |
| 6         | 040008-169   | 2         | ROTATOR,VALVE<br>气门调整帽       |
| 7         | 040001-169   | 2         | LIFTER,VALVE<br>气门挺柱         |
| 8         | 040100-169   | 1         | CAMSHAFT<br>凸轮轴              |

# CYLINDER BARREL 汽缸套



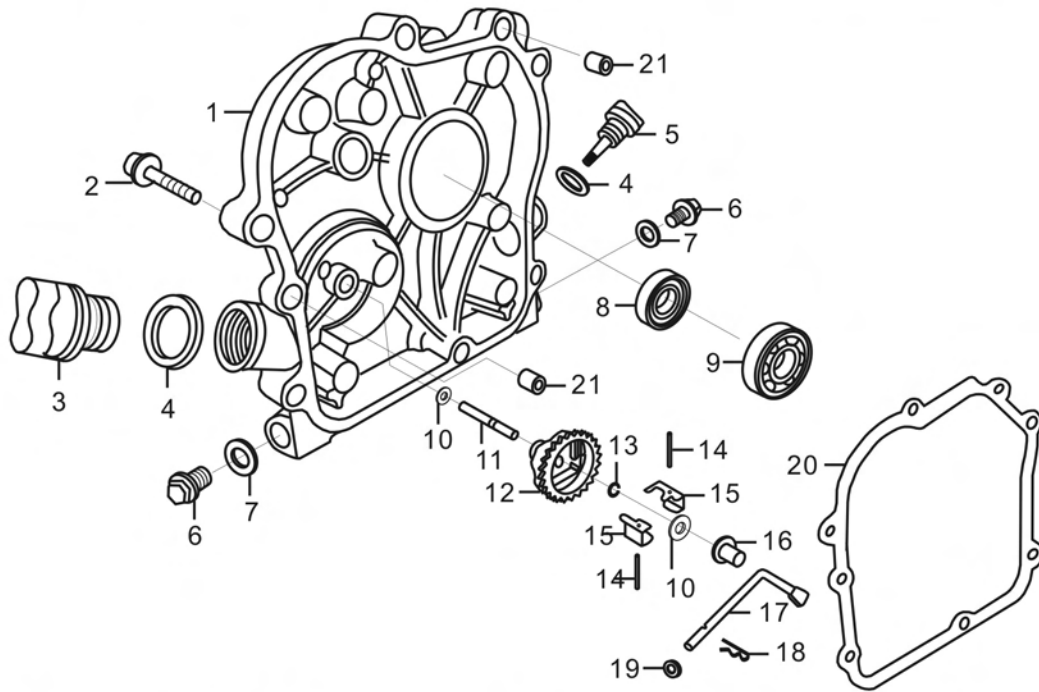
| REF<br>序号 | NUMBER<br>号码     | QTY<br>数量 | DESCRIPTION<br>中文名称            |
|-----------|------------------|-----------|--------------------------------|
| 1         | 020700-169       | 1         | OIL LEVEL SWITCH<br>机油传感器      |
| 2         | 081608-100001030 | 1         | BEARING,RADIAL BALL<br>轴承 6203 |
| 3         | 020100-169       | 1         | CRANK CASE<br>曲轴箱体             |
| 4         | 081124-100       | 1         | OIL SEAL 17x30x6<br>油封 17x30x6 |
| 5         | 106007-169       | 1         | REEL<br>挡油罩                    |
| 6         | 080522-100       | 2         | BOLT,STUD,IN<br>进气双头螺栓         |
| 7         | 107158-169       | 2         | RATCHET<br>通气室盖B               |
| 8         | 107151-169       | 1         | SPRING<br>通气室垫B                |
| 9         | 107157-169       | 1         | GUIDE<br>通气室垫A                 |
| 10        | 107156-169       | 1         | SCREW<br>通气室盖A                 |
| 11        | SB0510-0000000DL | 1         | BOLT M5X10<br>螺栓 M5X10         |
| 12        | 102017-169       | 1         | ENGINE BASE<br>发动机底座           |
| 13        | SB0816-0000001DL | 4         | RATCHET M8X16<br>螺栓 M8X16      |
| 14        | 101002-169       | 1         | RATCHET<br>缸头垫                 |
| 15        | 101200-169       | 1         | SPRING<br>缸头盖                  |
| 16        | SA0635-0000000DL | 6         | BOLT M6X35<br>螺栓 M6X35         |
| 17        | 010001-169       | 1         | SCREW<br>火花塞                   |

# CRANKCASE COVER 箱盖



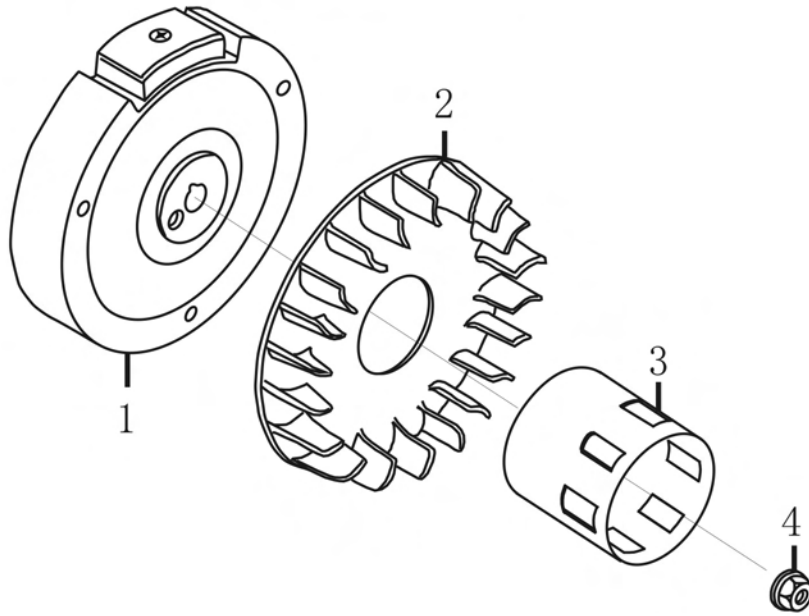
| REF<br>序号 | NUMBER<br>号码     | QTY<br>数量 | DESCRIPTION<br>中文名称            |
|-----------|------------------|-----------|--------------------------------|
| 1         | 020001-169       | 1         | COVER<br>箱盖                    |
| 2         | SA0628-0000000DL | 6         | CASE M6X28<br>螺栓 M6X28         |
| 3         | 020951-169       | 1         | OIL STICK<br>机油塞尺              |
| 4         | 020851-169       | 2         | OIL CAP<br>机油标尺                |
| 5         | 020952-169       | 1         | REEL<br>垫片                     |
| 6         | 080301-100       | 2         | RATCHET M10X15<br>放油螺栓 M10X15  |
| 7         | 080710-100       | 2         | RATCHET<br>垫圈                  |
| 8         | 020025-169       | 1         | OIL SEAL<br>油封                 |
| 9         | 081608-100001030 | 1         | BEARING,RADIAL BALL<br>轴承 6203 |
| 10        | 110358-169       | 2         | WASHER,PLAIN<br>平垫             |
| 11        | 110353-169       | 1         | SHAFT,GOVERNOR<br>调速芯轴         |
| 12        | 110355-169       | 1         | GEAR,GOVERNOR<br>调速齿轮          |
| 13        | 110352-169       | 1         | CLIP,GOVERNOR HOLDER<br>调速芯轴卡圈 |
| 14        | 110357-169       | 2         | PIN,GOVERNOR WERGHT<br>调速飞块销   |
| 15        | 110356-169       | 2         | WEIGHT,GOVERNOR<br>调速飞块        |
| 16        | 110351-169       | 1         | SLIDER,GOERNOR<br>调速帽          |
| 17        | 110005-169       | 1         | SHAFT,GOVERNOR ARM<br>调速臂      |
| 18        | 110007-169       | 1         | PIN,LOCK<br>开口销                |

# CRANKCASE COVER 箱盖



| REF<br>序号 | NUMBER<br>号码 | QTY<br>数量 | DESCRIPTION<br>中文名称                |
|-----------|--------------|-----------|------------------------------------|
| 19        | 02001-169    | 1         | GRIP<br>垫片                         |
| 20        | 020011-169   | 1         | PACKING,BREATHER CHAMBER<br>曲轴箱密封垫 |
| 21        | 800901-129   | 2         | PIN,DOWEL<br>定位销                   |

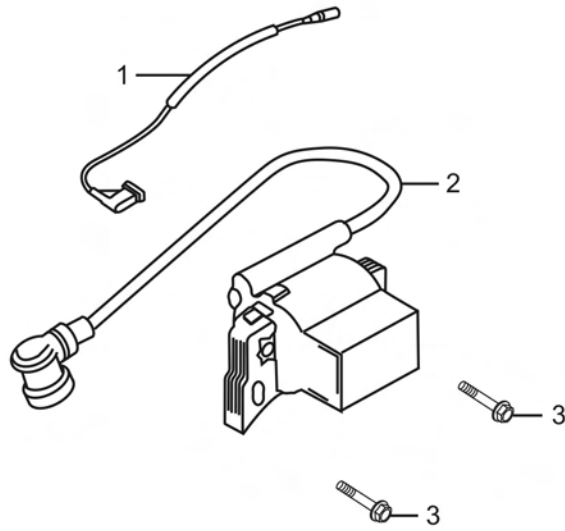
# FLYWHEEL 飞轮



| REF<br>序号 | NUMBER<br>号码     | QTY<br>数量 | DESCRIPTION<br>中文名称    |
|-----------|------------------|-----------|------------------------|
| 1         | 030400-169       | 1         | FLYWHEEL COMP<br>飞轮    |
| 2         | 030007-169       | 1         | FAN, COOLING<br>风扇     |
| 3         | 030008-169       | 1         | PULLEY, STARTER<br>起动杯 |
| 4         | 080808-100000000 | 1         | NUT M12<br>螺母 M12      |

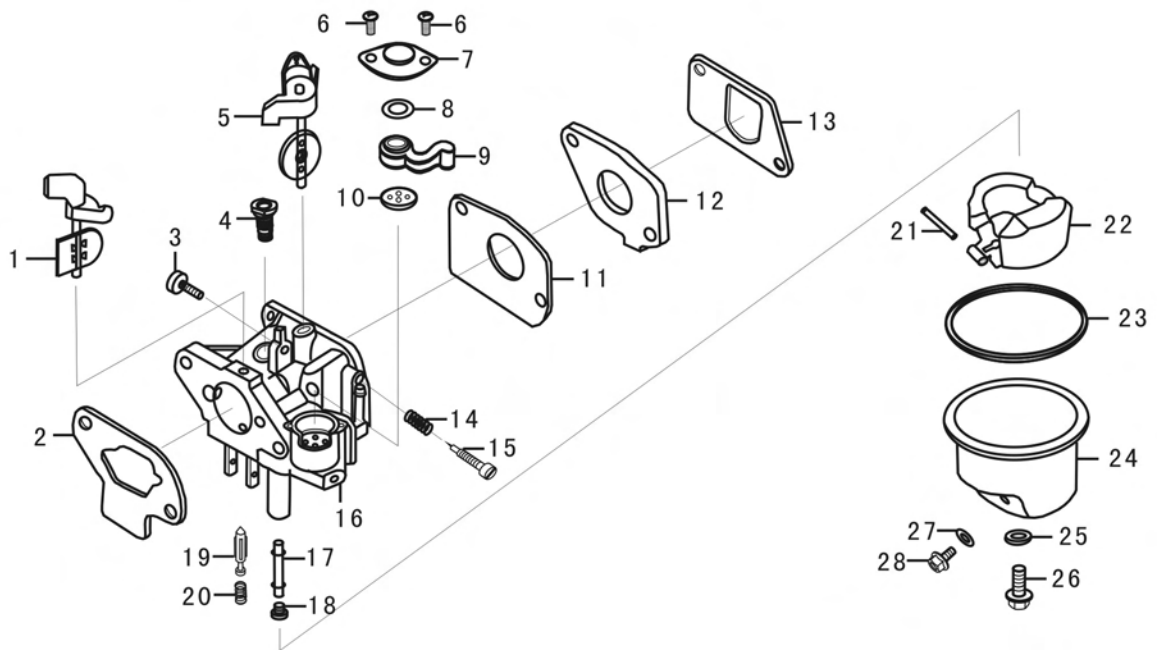


# IGNITION COIL 点火线圈



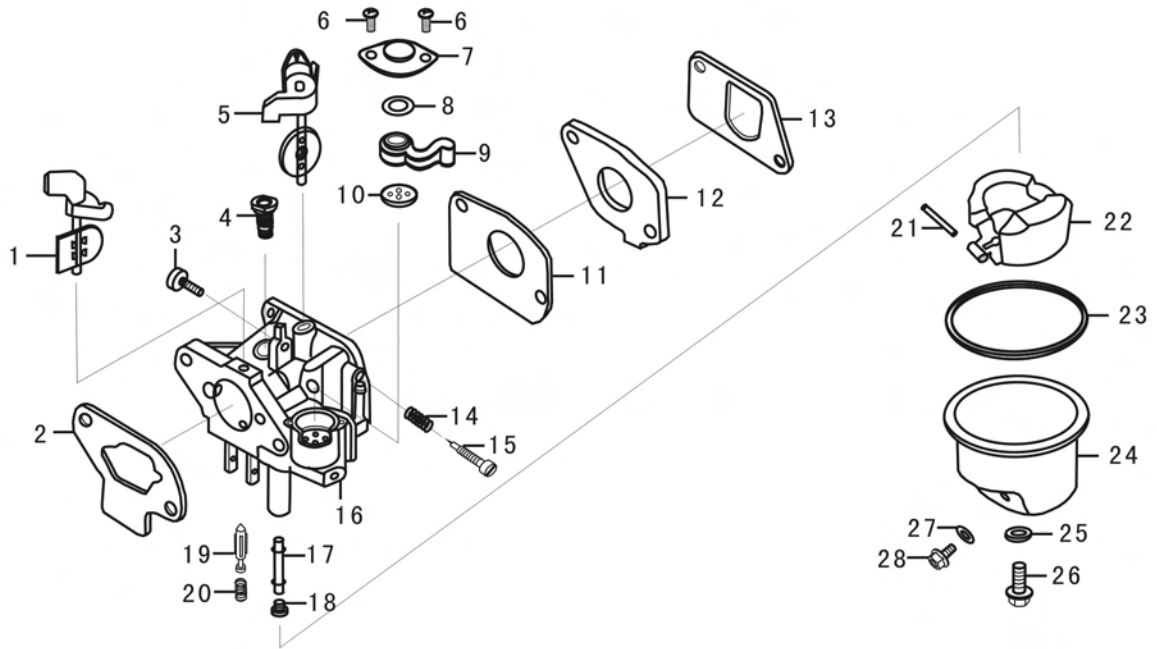
| REF<br>序号 | NUMBER<br>号码 | QTY<br>数量 | DESCRIPTION<br>中文名称        |
|-----------|--------------|-----------|----------------------------|
| 1         | 111153-169   | 1         | CORD, STOP SWITCH<br>熄火开关线 |
| 2         | 111150-169   | 1         | COIL, IGNITION<br>点火线圈     |
| 3         | SA06280      | 2         | BOLT M6X28<br>螺栓, M6X28    |

# CARBURETOR 化油器



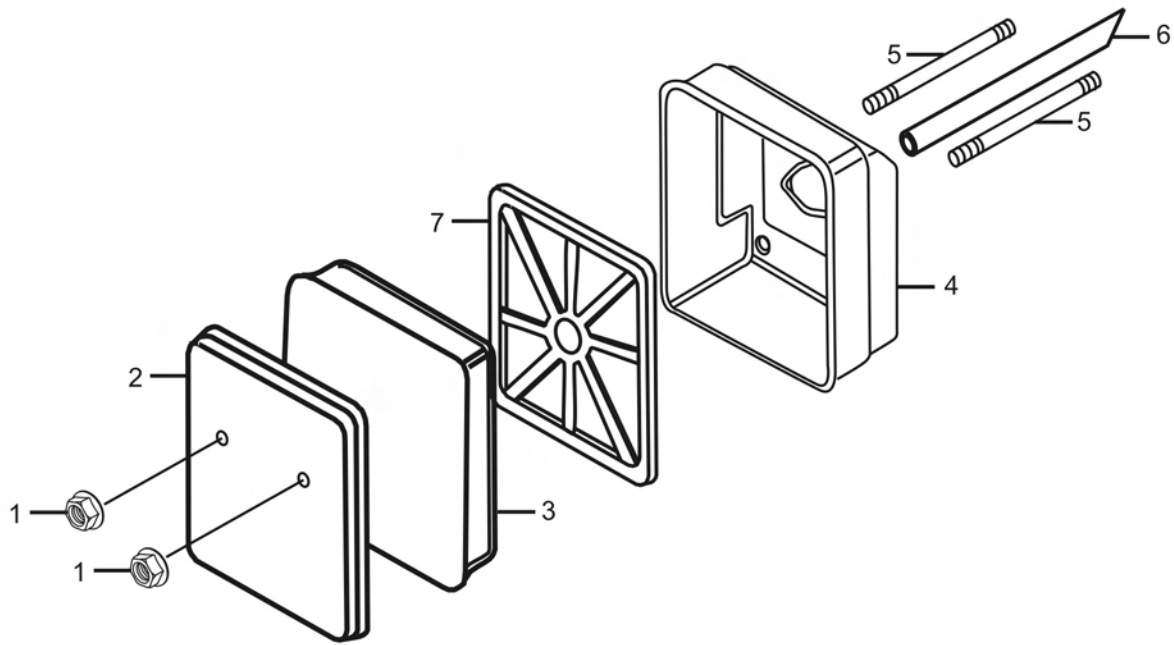
| REF<br>序号 | NUMBER<br>号码 | QTY<br>数量 | DESCRIPTION<br>中文名称            |
|-----------|--------------|-----------|--------------------------------|
| 1         | 060351-169   | 1         | CHOKE SET<br>阻风门组合             |
| 2         | 080001-169   | 1         | CASE<br>空滤器垫                   |
| 3         | 060163-169   | 1         | SCREW, THROTTLE STOP<br>怠速限位螺钉 |
| 4         | 060154-169   | 1         | BOTTOMSUB, JET SET<br>怠速量孔堵头   |
| 5         | 060451-169   | 1         | THROTTLE VALVE<br>节气门组合        |
| 6         | M02040       | 2         | BOLT<br>螺栓                     |
| 7         | 060155-169   | 1         | PLATE, LEVER SETTING<br>油开关固定盖 |
| 8         | 060158-169   | 1         | SPRING, COCK LEVER<br>油开关弹簧垫片  |
| 9         | 060156-169   | 1         | LEVER, COCK<br>油开关手柄           |
| 10        | 060157-169   | 1         | PACKING, FUEL COCK<br>油开关密封垫   |
| 11        | 010008-169   | 1         | PACKING, CARBURETOR<br>化油器垫    |
| 12        | 010006-169   | 1         | INSULATOR, CARBURETOR<br>隔热板   |
| 13        | 010005-169   | 1         | PACKING, INSULATOR<br>进气口垫     |
| 14        | 060161-169   | 1         | SPRING, SCREW<br>怠速油量调节螺钉弹簧    |
| 15        | 060162-169   | 1         | SCREW<br>怠速油量调节螺钉              |
| 16        | 060151-169   | 1         | CARBURETOR'S NOUMENON<br>化油器本体 |
| 17        | 060152-169   | 1         | NOZZLE, MAIN<br>主喷管            |
| 18        | 060153-169   | 1         | JET, MAIN<br>主量孔               |

# CARBURETOR 化油器



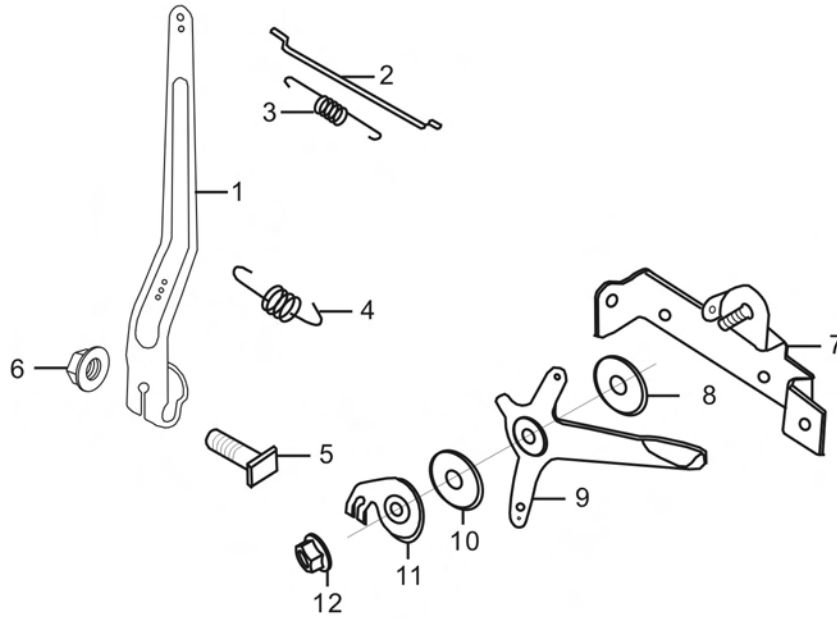
| REF<br>序号 | NUMBER<br>号码 | QTY<br>数量 | DESCRIPTION<br>中文名称           |
|-----------|--------------|-----------|-------------------------------|
| 19        | 060553-169   | 1         | VALVE,FLOAT<br>浮子阀体           |
| 20        | 060554-169   | 1         | SPRING,VALVE SET<br>浮子阀弹簧     |
| 21        | 060552-169   | 1         | PIN,FLOAT<br>浮子销              |
| 22        | 060551-169   | 1         | FLOAT<br>浮子                   |
| 23        | 060252-169   | 1         | GASKET,OIL CUP<br>油杯密封圈       |
| 24        | 060251-169   | 1         | OIL CUP<br>油杯                 |
| 25        | 060256-169   | 1         | GASKET,OIL CUP BOLT<br>油杯螺栓垫片 |
| 26        | 060257-169   | 1         | BOLT,OIL CUP<br>油杯螺栓          |
| 27        | 060258-169   | 1         | GASKET,DRAIN BOLT<br>放油螺栓垫片   |
| 28        | 060259-169   | 1         | DRAIN BOLT<br>放油螺栓            |

# AIR CLEANER 空滤器



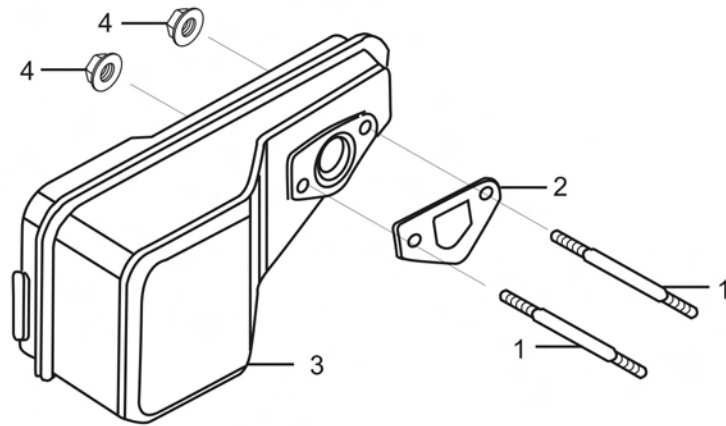
| REF<br>序号 | NUMBER<br>号码 | QTY<br>数量 | DESCRIPTION<br>中文名称                |
|-----------|--------------|-----------|------------------------------------|
| 1         | M80500       | 2         | BOLT M5<br>螺栓 M5                   |
| 2         | 080151-169   | 1         | COVER,AIR CLEANER<br>空滤器盖          |
| 3         | 080158-169   | 1         | ELEMENT,AIR CLEANER<br>滤芯          |
| 4         | 080154-169   | 1         | ELBOW<br>空滤器座                      |
| 5         | 080522-100   | 2         | BOLT,STUD,IN M5X114<br>双头螺栓 M5X114 |
| 6         | 115051-169   | 1         | ROPE,BREATHER<br>废气管               |
| 7         |              | 1         | REDTER                             |

# RECOIL SRARTER 反冲起动器



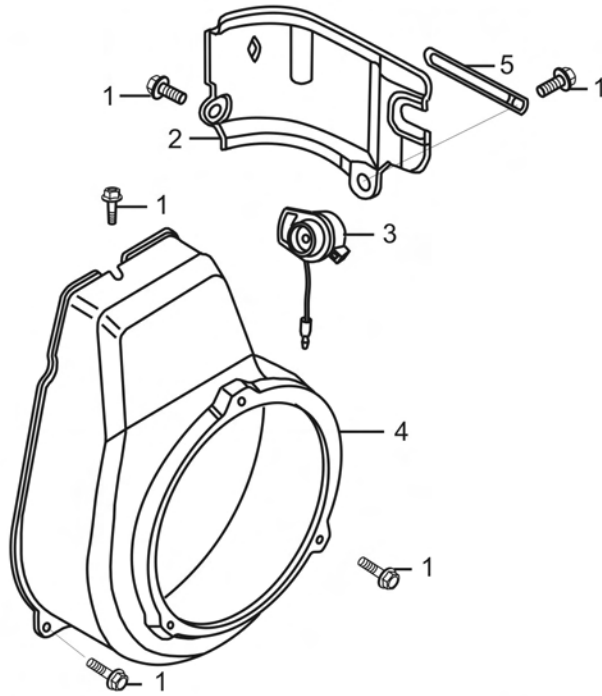
| REF<br>序号 | NUMBER<br>号码 | QTY<br>数量 | DESCRIPTION<br>中文名称            |
|-----------|--------------|-----------|--------------------------------|
| 1         | 107152-169   | 1         | ARM,GOVERNOR<br>调速臂            |
| 2         | 107159-169   | 1         | ROD,GOVERNOR<br>油门拉杆           |
| 3         | 107153-169   | 1         | SPPING,GOVERNOR<br>拉簧A         |
| 4         | 107155-169   | 1         | SPPING,THROTTLE RETURN<br>拉簧B  |
| 5         | 107154-169   | 1         | BOLT<br>螺栓                     |
| 6         | 107158-169   | 2         | NUT<br>螺母                      |
| 7         | 107151-169   | 2         | RETAINER,CONTROL ASSY<br>调速支撑板 |
| 8         | 107157-169   | 1         | WASHER,PLAST<br>塑料垫片           |
| 9         | 107156-169   | 1         | HANDLE,CONTROL<br>手柄           |
| 10        | 107160-169   | 1         | WASHER,METAL<br>弹性垫圈           |
| 11        | 213451-169   | 1         | FIXING PLATE<br>凸型固定块          |
| 12        | M80600       | 1         | MUT M8<br>螺母 M8                |

# MUFFLER 消声气



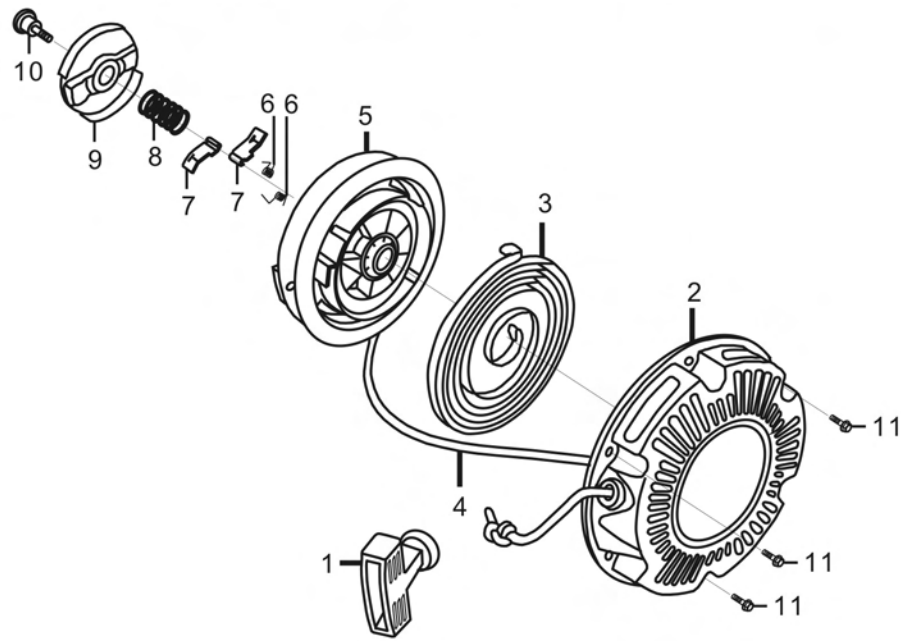
| REF<br>序号 | NUMBER<br>号码 | QTY<br>数量 | DESCRIPTION<br>中文名称    |
|-----------|--------------|-----------|------------------------|
| 1         | 080521-100   | 2         | BOLT,STUD,EX<br>双头螺栓   |
| 2         | 113001-169   | 1         | GASKET,MUFFLER<br>消声气垫 |
| 3         | 113100-169   | 1         | MUFFLER<br>消声气         |
| 4         | M80600       | 2         | MUT M8<br>螺母 M8        |

# FAN COVER 风扇盖



| REF<br>序号 | NUMBER<br>号码     | QTY<br>数量 | DESCRIPTION<br>中文名称    |
|-----------|------------------|-----------|------------------------|
| 1         | SB0610-0000000DL | 5         | BOLT M6X10<br>螺栓 M6X10 |
| 2         | 010004-169       | 1         | CASE<br>缸头导流罩          |
| 3         | 111101-169       | 1         | SPPING<br>熄火开关         |
| 4         | 050052-169       | 1         | ROPE<br>风扇盖            |
| 5         | E10219           | 1         | TIE,CABLE              |

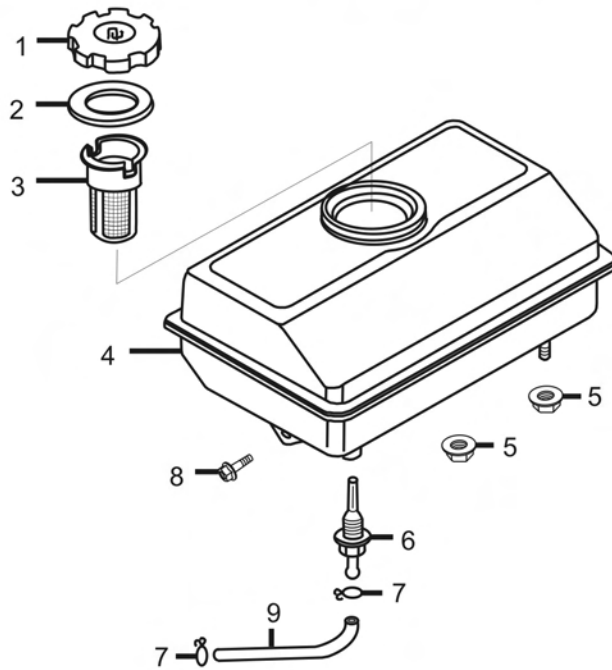
# RECOIL SRARTER 反冲起动器



| REF<br>序号 | NUMBER<br>号码 | QTY<br>数量 | DESCRIPTION<br>中文名称         |
|-----------|--------------|-----------|-----------------------------|
| 1         | 050152-169   | 1         | KNOB,RECOIL STARTER<br>起动手柄 |
| 2         | 050159-169   | 1         | COBER COMP,FAN<br>拉盘罩       |
| 3         | 050153-169   | 1         | SPPING,RETURN<br>起动机弹簧      |
| 4         | 050155-169   | 1         | ROPE<br>拉绳                  |
| 5         | 050154-169   | 1         | REEL,RECOIL STARTER<br>起动机轮 |
| 6         | 050158-169   | 2         | SPRING,RETURN<br>复位弹簧       |
| 7         | 050151-169   | 2         | RATCHET,STARTER<br>刺爪       |
| 8         | 050157-169   | 1         | SPRING,FRIVTION<br>弹簧       |
| 9         | 050156-169   | 1         | GUIDE,RATCHET<br>压块         |
| 10        | 050160-169   | 1         | SCREW,SETTING<br>紧固螺栓       |
| 11        | M06080       | 3         | BOLT M6X8<br>螺栓 M6X8        |



# FUEL TANK 油箱



| REF<br>序号 | NUMBER<br>号码     | QTY<br>数量 | DESCRIPTION<br>中文名称              |
|-----------|------------------|-----------|----------------------------------|
| 1         | 107152-169       | 1         | CAP COMP FILLER<br>油箱盖           |
| 2         | 107159-169       | 1         | PACKING,FUEL FILLER CAP<br>油箱密封圈 |
| 3         | 107153-169       | 1         | FILTER,FUEL<br>燃油滤网              |
| 4         | 107155-169       | 1         | TANK COMP,FUEL<br>油箱             |
| 5         | 107154-169       | 2         | NUT M6<br>螺母 M6                  |
| 6         | 107158-169       | 1         | JOINT,FUEL TANK<br>出油嘴           |
| 7         | 107151-169       | 2         | CLIP,TUBE<br>油管夹                 |
| 8         | 107157-169       | 1         | BOLT<br>螺栓                       |
| 9         | 080701-010102000 | 1         | TUBE,FUEL 4X8X55<br>油管 4X8X55    |