

# **Kawasaki**

— ENGINES —

---

## PARTS CATALOG

**4-STROKE AIR-COOLED GASOLINE ENGINE**

<b>PRODUCT CODE</b>
<b>FJ180V-AP51</b>

# PARTS CATALOG INTRODUCTION

This parts catalog lists parts and sub-assemblies provided as service parts. When it becomes necessary to replace parts, always use KAWASAKI GENUINE PARTS which have passed strict inspection which guarantees quality and performance.

## 1. HOW TO ORDER PARTS

- 1) When ordering the parts, be sure to use the parts catalog corresponding to the product code. Check the product revision codes on the product and the catalog.

Product Code (example) : FA130D-AA00  
 Product Revision Code

- 2) Specify the part code (all digits) exactly as listed in this catalog on your parts order.
- 3) The parts not shown in the illustrations of this catalog are not sold separately; only the complete units or next higher assemblies illustrated are supplied as the service parts.

## 2. EXPLANATION OF PARTS CATALOG FORMAT

Ref. No.	Part No.	Description	Quantity
			c
14091	14091-2141	COVER	1
19073	19073-2241	INSULATOR	1
21169	21169-2077	TERMINAL	1
21171	21171-2267	COIL-ASSY-IGNITION	1
21194	21194-2355	FLYWHEEL-COMP	1
29011	29011-2390	WIRE-LEAD	1
92038	92038-2107	KEY	1
92070	92070-2119	PLUG-SPARK(BPRSES(NGK)	1
92154	92154-2014	BOLT,4X18	1
92154A	92154-2018	BOLT,6X20	2
92154B	92154-2017	BOLT,12X30	1
92200	92200-2183	WASHER,4.5X8X0.5	1
92210	92210-2126	NUT,M4	1

### 1) Product Code

This code describes the product code covered by this catalog. The product revision code, which is a part of the product code, is omitted.

### 2) Part Group Title

This title is the representative name for the group of parts illustrated on the page.

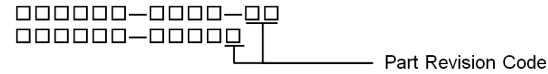
### 3) Reference Number

The reference numbers are shown on the illustration and the list as the link between them.

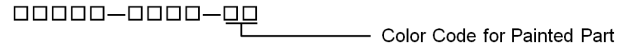
## 4) Part Number

This is the key of your parts ordering. Three kinds of part number are used in this catalog.

### a. Structure 1



### b. Structure 2



### c. Standard Hardware Number

(for bolts, nuts, washer, or the like)



## 5) Description and Additional Information

The part name, the location, the size, and the serial number as additional information, etc. are described here. Use them to find out and check the part required.

When a part number is changed without change of the product revision code and the changed parts are not interchangeable, the serial number of the product is noted as follows;

- ( - FA130 - 100001) Affected units are from beginning of the product of the product code up to and including this serial number.
- (FA130 - 100002 - ) Affected units are from this serial number and above.
- (FA130 - 100002 - FA130 - 110001) Affected units are in this serial number range.

## 6) Quantity

The figure shows quantity of the part required at the indicated position on the illustration and for the specified product revision code.

The asterisk (\*) on this column means the part can be used as the substitute on the product and is supplied until the stock is exhausted.

Note:Some small parts will be supplied by units.

Example: If six (6) bolts are ordered and the minimum quantity per unit is five (5), two (2), units of the bolt will be delivered.

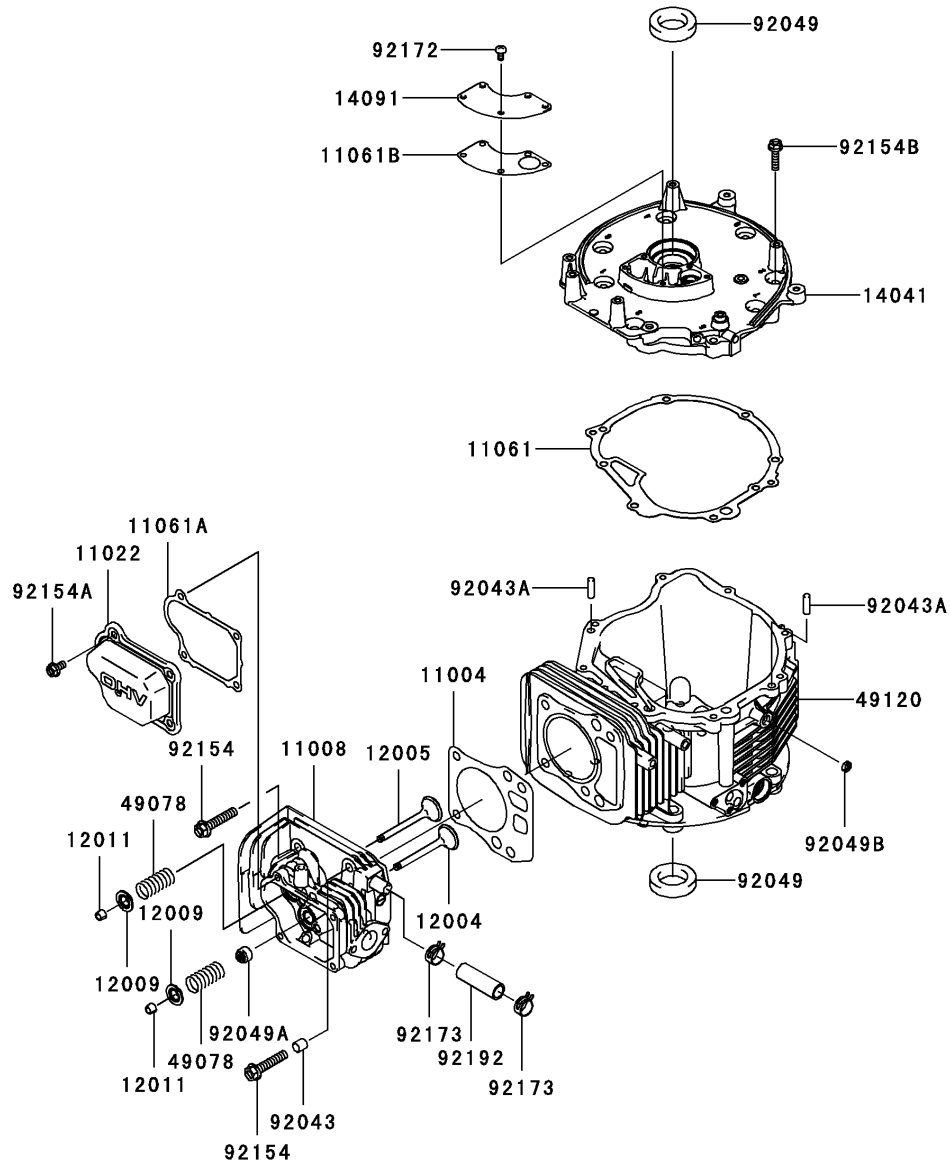
## 7) Product Revision Code

This Code indicates an important change which affects the service parts interchangeability.

## 3. ABBREVIATIONS

#	Number	FR	Front	RH	Right Hand
&	And	G	Gram	RPM	Revolutions Per Minute
(+)	Plus	HEX	Hexagonal	RR	Rear
(-)	Minus	ID =	Inside Diameter	STD	Standard
2ND	Second	IN	Inch	T	Teeth
3RD	Third	L =	Length	T =	Thickness
4TH	Fourth	LH	Left Hand	U/S	Under Size
A	Ampere	LWR	Lower	UPP	Upper
AR	As Required	MM	Millimeter	V	Volt
ASSY	Assembly	O/S	Over Size	W	Watt
CNT	Center	OD =	Outside Diameter		
COMP	Complete	REF	Reference		

E0110-B015A

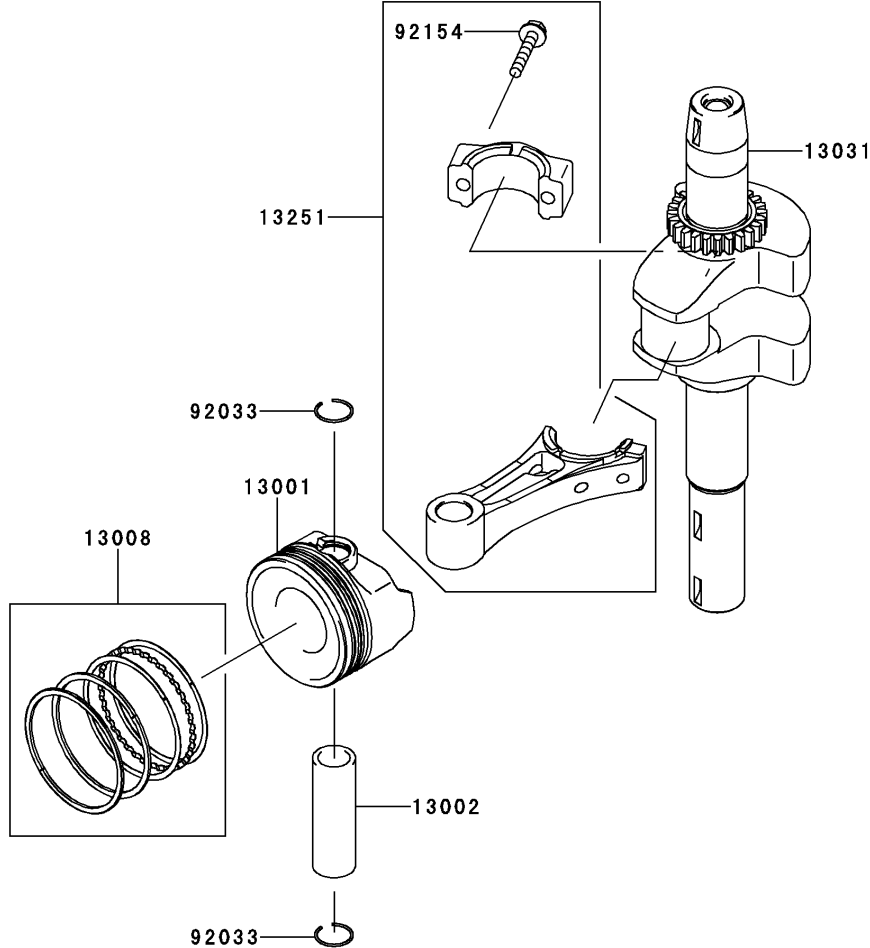


## 1. CYLINDER/CRANKCASE

Ref. No.	Part No.	Description	Quantity
		AP51	
11004	11004-2146	GASKET-HEAD	1
11008	11008-2171	HEAD-COMP-CYLINDER	1
11022	11022-2083	CASE-ROCKER	1
11061	11061-1267	GASKET	1
11061A	11061-2210	GASKET,CASE-ROCKER	1
11061B	11061-2213	GASKET,BREATHER	1
12004	12004-2122	VALVE-INTAKE	1
12005	12005-2107	VALVE-EXHAUST	1
12009	12009-2072	RETAINER-VALVE SPRING	2
12011	12011-0006	COLLET	4
14041	14041-0607	COVER-COMP	1
14091	14091-2138	COVER,BREATHER	1
49078	49078-2089	SPRING-ENGINE VALVE	2
49120	49120-0893	CRANKCASE-COMP	1
92043	92043-2261	PIN,10X12	2
92043A	92043-2263	PIN,6X12	2
92049	92049-0785	SEAL-OIL,28-44-9 TC	2
92049A	92049-2272	SEAL-OIL	1
92049B	92049-2273	SEAL-OIL,6X10X2.5	1
92154	92154-0821	BOLT,8X45	4
92154A	92154-2003	BOLT,6X12	4
92154B	92154-2011	BOLT,6X25	8
92172	92172-2108	SCREW,5X10	5
92173	92173-1743	CLAMP	2
92192	92192-2243	TUBE,12X16X49	1

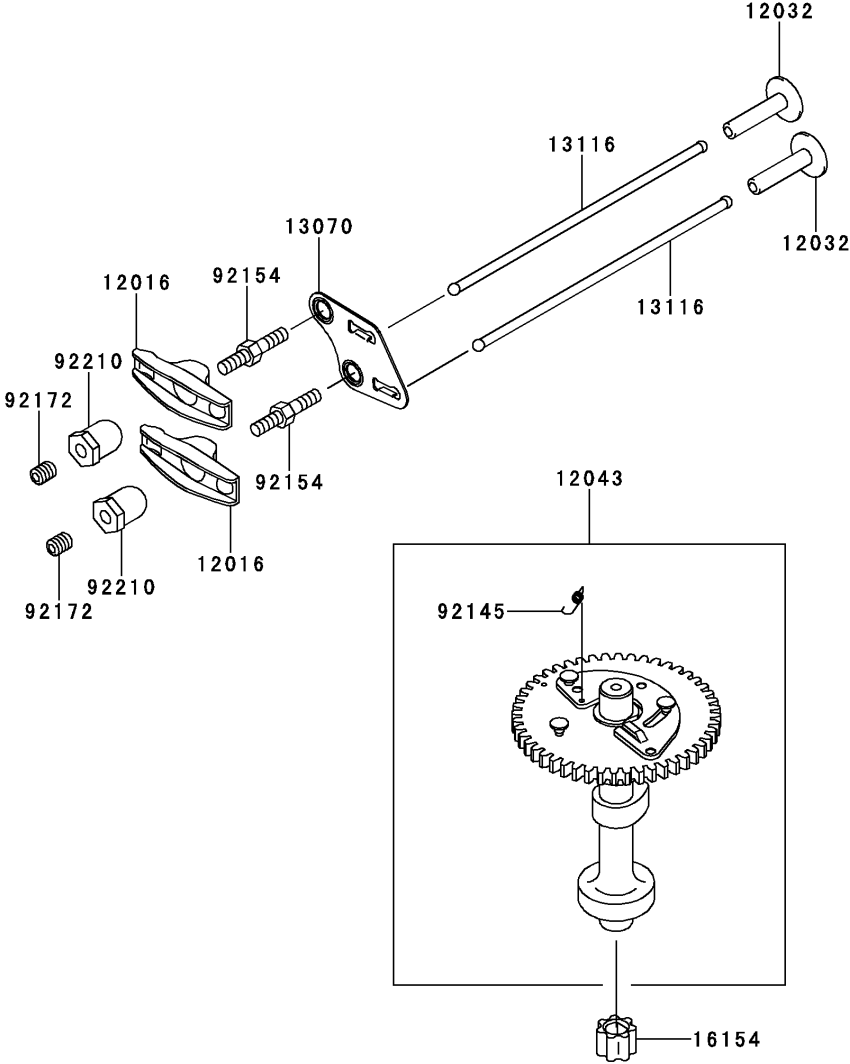
E0120-A553A

2. PISTON/CRANKSHAFT



Ref. No.	Part No.	Description	Quantity
			AP51
13001	13001-2175	PISTON-ENGINE	1
13002	13002-2102	PIN-PISTON	1
13008	13008-6073	RING-SET-PISTON	1
13031	13031-2130	CRANKSHAFT-COMP	1
13251	13251-0721	ROD-ASSY-CONNECTING	1
92033	92033-2199	RING-SNAP	2
92154	92154-0816	BOLT,6X30	2

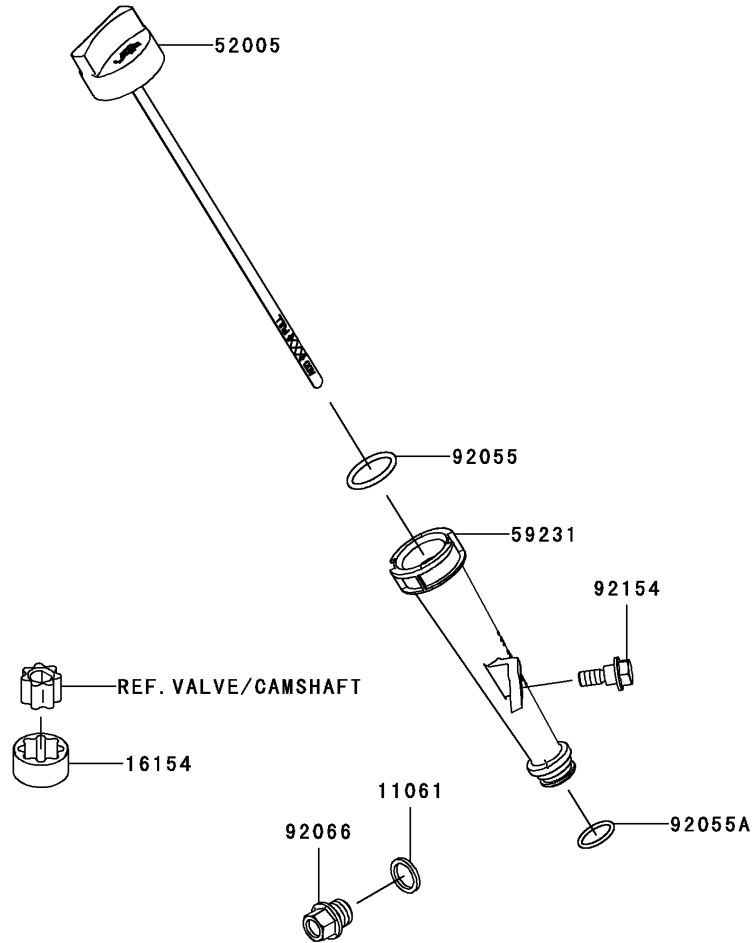
E0130-A227A



3. VALVE/CAMSHAFT

Ref. No.	Part No.	Description	Quantity
			AP51
12016	12016-2067	ARM-ROCKER	2
12032	12032-0026	TAPPET	2
12043	12043-2001	CAMSHAFT-ASSY-VALVE	1
13070	13070-2118	GUIDE	1
13116	13116-2076	ROD-PUSH	2
16154	16154-7004	ROTOR-PUMP	1
92145	92145-2179	SPRING	1
92154	92154-2009	BOLT	2
92172	92172-2107	SCREW	2
92210	92210-2123	NUT,M6	2

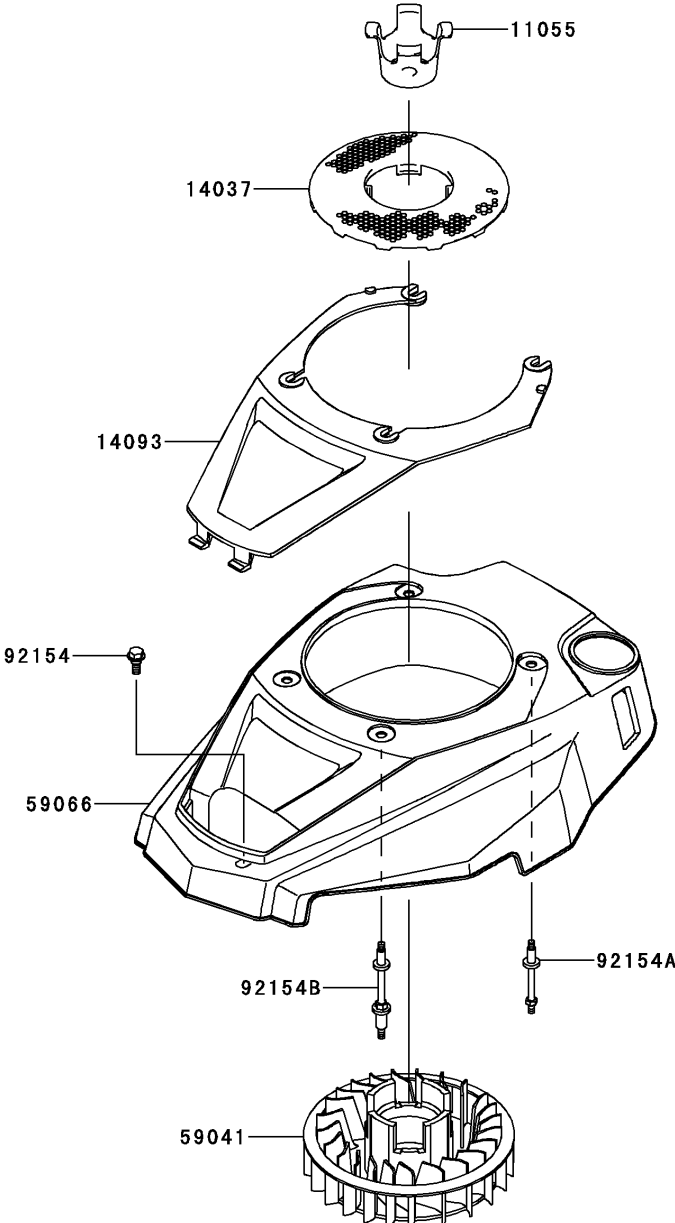
E0140-A631A



#### 4. LUBRICATION-EQUIPMENT

Ref. No.	Part No.	Description	Quantity
			AP51
11061	11061-1232	GASKET,14.2X19X2	1
16154	16154-7002	ROTOR-PUMP	1
52005	52005-0764	GAUGE	1
59231	59231-0734	FILLER	1
92055	92055-0900	RING-O,23X2.69	1
92055A	92055-2214	RING-O,15.8X2.4	1
92066	92066-0898	PLUG,14X12	1
92154	92154-2006	BOLT,M6	1

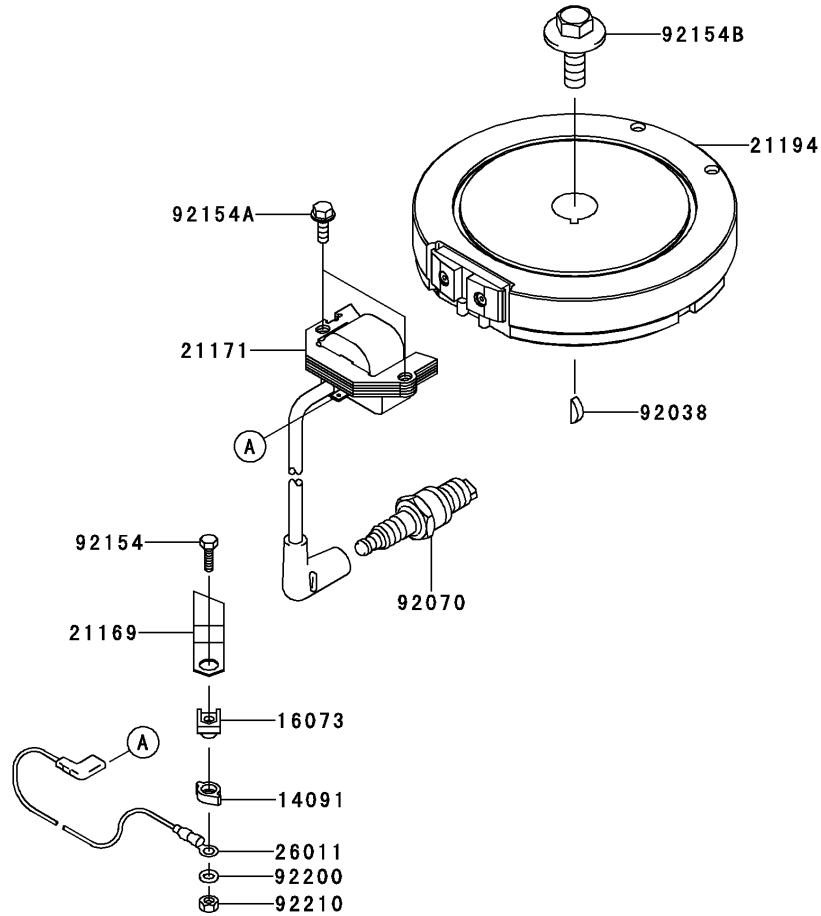
E0150-B392A



5. COOLING-EQUIPMENT

Ref. No.	Part No.	Description	Quantity
			AP51
11055	11055-2014	BRACKET,FAN	1
14037	14037-2154	SCREEN	1
14093	14093-0696	COVER	1
59041	59041-2098	FAN	1
59066	59066-0815	HOUSING-FAN	1
92154	92154-2006	BOLT,M6	1
92154A	92154-2918	BOLT,HOUSING MOUNT	3
92154B	92154-2919	BOLT,BRAKE LEVER	1

E0160-B181B

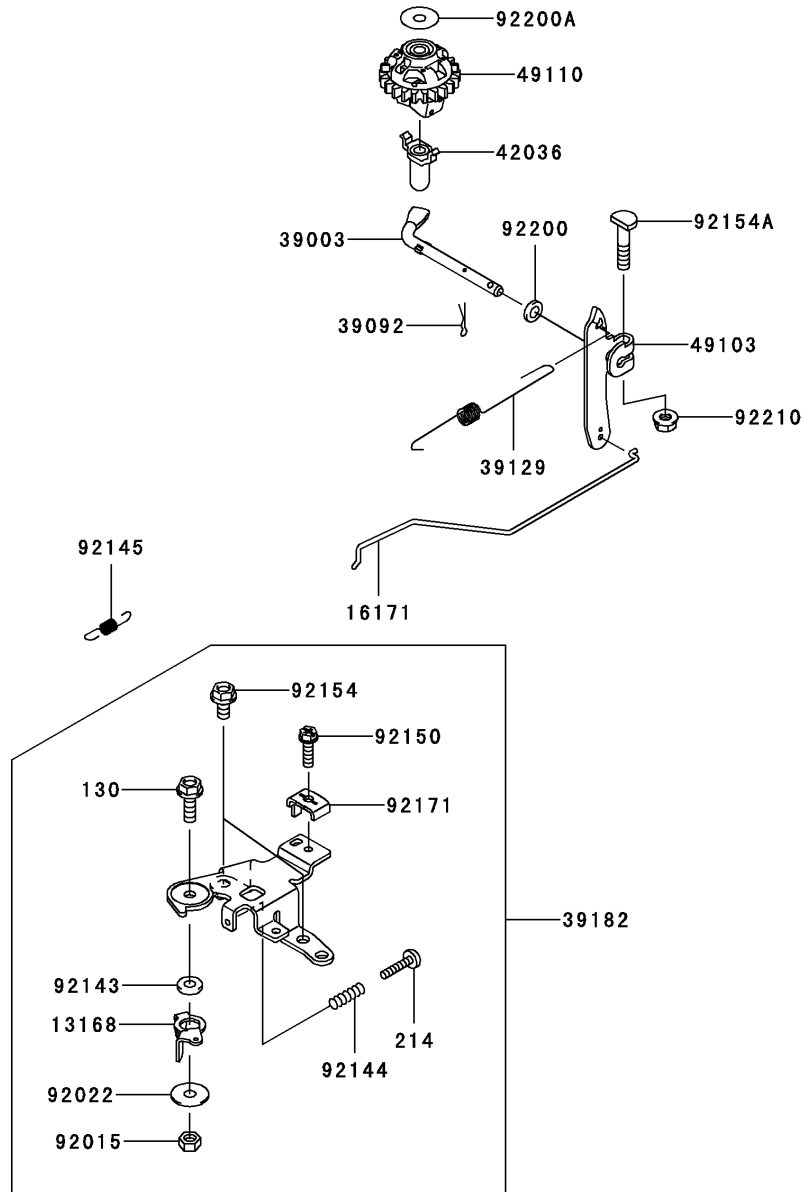


## 6. ELECTRIC-EQUIPMENT

Ref. No.	Part No.	Description	Quantity
		AP51	
14091	14091-2141	COVER	1
16073	16073-2241	INSULATOR	1
21169	21169-2077	TERMINAL	1
21171	21171-2267	COIL-ASSY-IGNITION	1
21194	21194-0718	FLYWHEEL-COMP	1
26011	26011-2390	WIRE-LEAD	1
92038	92038-2107	KEY	1
92070	92070-2119	PLUG-SPARK,BPR5ES(NGK)	1
92154	92154-2014	BOLT,4X16	1
92154A	92154-2016	BOLT,6X20	2
92154B	92154-2017	BOLT,12X30	1
92200	92200-2183	WASHER,4.5X8X0.5	1
92210	92210-2126	NUT,M4	1



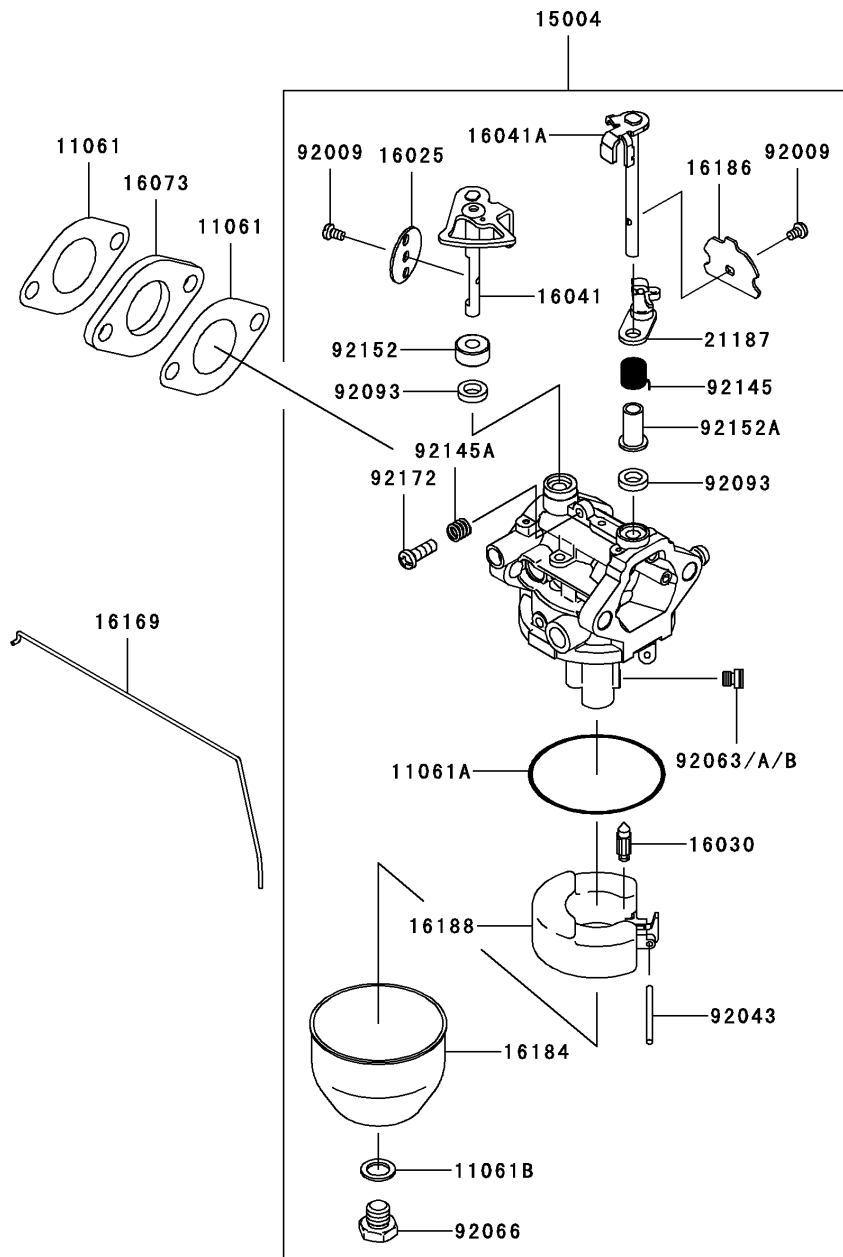
E0170-A869A



## 7. CONTROL-EQUIPMENT

Ref. No.	Part No.	Description	Quantity
			AP51
13168	13168-0870	LEVER	1
16171	16171-0048	LINK,GOVERNOR	1
39003	39003-2104	ARM-PIVOT	1
39092	39092-2055	PIN-HAIR	1
39129	39129-0050	SPRING-GOVERNOR	1
39182	39182-0006	PANEL-ASSY-CONTROL	1
42036	42036-0830	SLEEVE	1
49103	49103-2177	ARM-GOVERNOR	1
49110	49110-0015	GOVERNOR-ASSY	1
92015	92015-2051	NUT,LOCK	1
92022	92022-2372	WASHER,6X19X1.2	1
92143	92143-2135	COLLAR,6X13X2.3	1
92144	92144-2266	SPRING	1
92145	92145-1844	SPRING,LINK	1
92150	92150-2182	BOLT,5X18	1
92154	92154-2003	BOLT,6X12	2
92154A	92154-2018	BOLT,6X28	1
92171	92171-7016	CLAMP	1
92200	92200-1907	WASHER,6.5X11.3X1.6	1
92200A	92200-2185	WASHER,6.2X20X0.5	1
92210	92210-2121	NUT,M6	1
130	130AA0618	BOLT-FLANGED,6X18	1
214	214AA0420	SCREW-PAN+,-,4X20	1

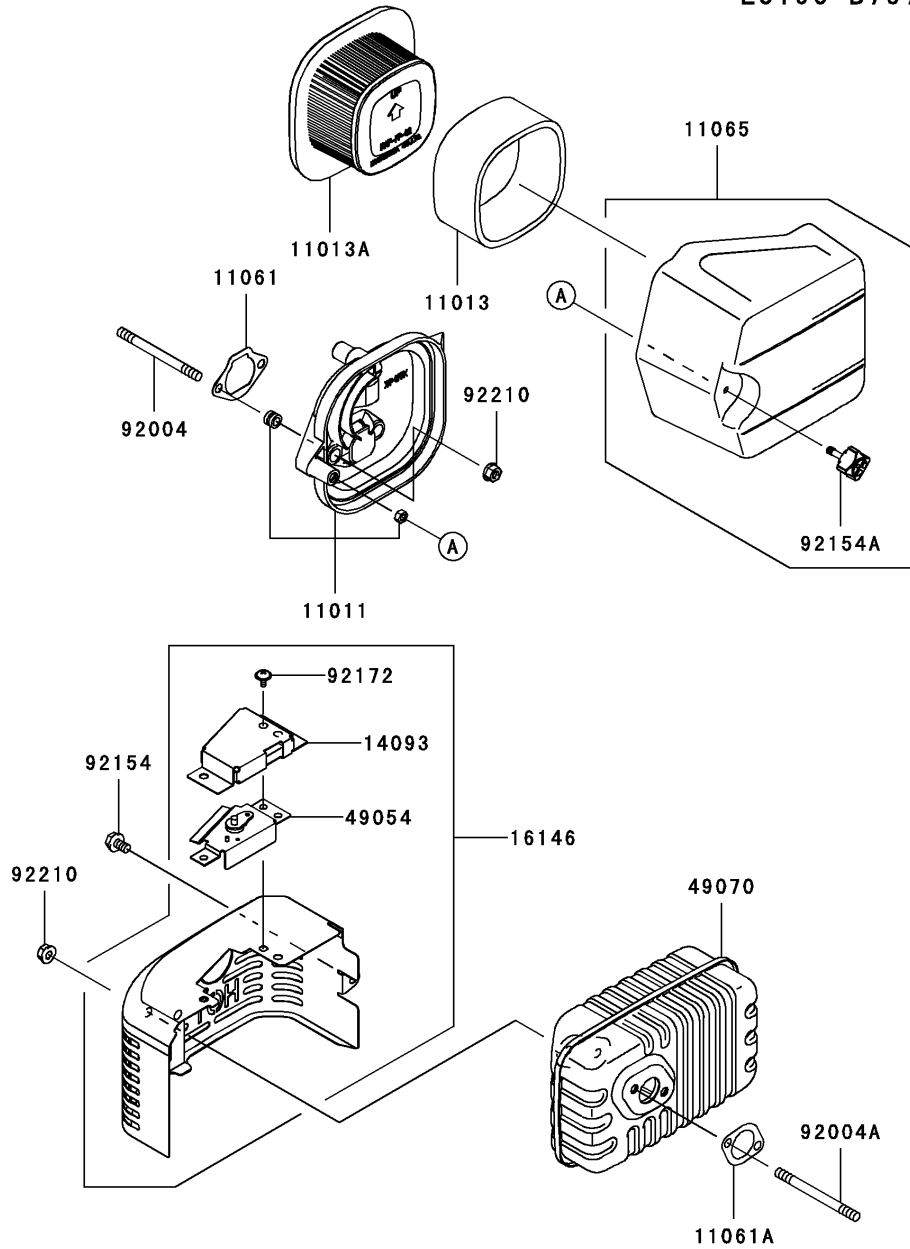
E0180-B186A



## 8. CARBURETOR

Ref. No.	Part No.	Description	Quantity
		AP51	
11061	11061-2215	GASKET,INSULATOR	2
11061A	11061-2238	GASKET	1
11061B	11061-7054	GASKET,CENTER POST	1
15004	15004-1003	CARBURETOR-ASSY	1
16025	16025-2213	VALVE-THROTTLE	1
16030	16030-7004	VALVE-FLOAT	1
16041	16041-0046	SHAFT-CARBURETOR,THROTTLE	1
16041A	16041-0047	SHAFT-CARBURETOR,CHOKE	1
16073	16073-2240	INSULATOR	1
16169	16169-0011	LINK-CHOKE	1
16184	16184-0004	CHAMBER-ASSY-FLOAT	1
16186	16186-0001	VALVE-ASSY-CHOKE	1
16188	16188-2001	FLOAT	1
21187	21187-0010	ARM-ASSY,CHOKE	1
92009	92009-2049	SCREW	2
92043	92043-2274	PIN	1
92063	92063-0725	JET-MAIN,#75 (OPTION)	1
92063A	92063-2498	JET-MAIN,#79	1
92063B	92063-2499	JET-MAIN,#77 (OPTION)	1
92066	92066-7020	PLUG	1
92093	92093-2135	SEAL	2
92145	92145-1820	SPRING,CHOKE RETURN	1
92145A	92145-2202	SPRING	1
92152	92152-2483	COLLAR,THROTTLE	1
92152A	92152-2484	COLLAR,CHOKE	1
92172	92172-2132	SCREW	1

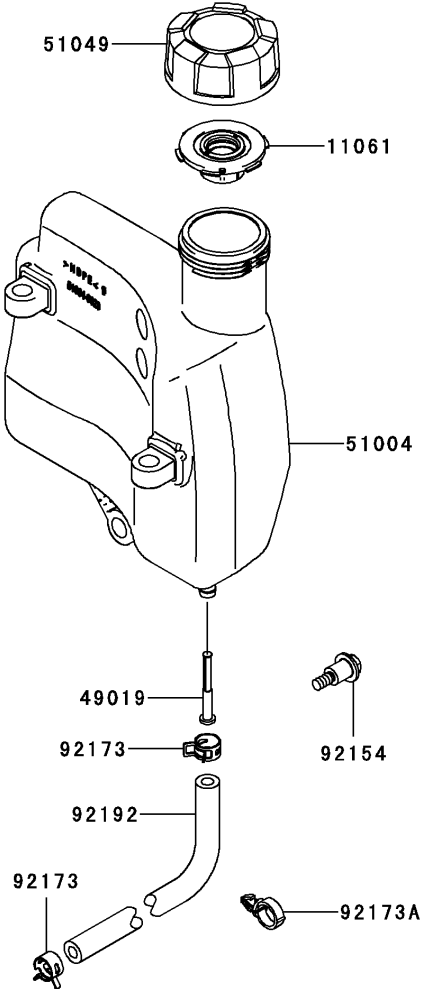
E0190-B757A



9. AIR-FILTER/MUFFLER

Ref. No.	Part No.	Description	Quantity
			AP51
11011	11011-0903	CASE-AIR FILTER	1
11013	11013-0778	ELEMENT-AIR FILTER	1
11013A	11013-0779	ELEMENT-AIR FILTER	1
11061	11061-1222	GASKET,PIPE INTAKE	1
11061A	11061-2212	GASKET,MUFFLER	1
11065	11065-1302	CAP,AIR FILTER	1
14093	14093-0872	COVER	1
16146	16146-0837	COVER-ASSY,MUFFLER	1
49054	49054-0009	THERMOSTAT	1
49070	49070-2792	MUFFLER-COMP	1
92004	92004-0787	STUD,6X72	2
92004A	92004-2162	STUD,6X80	2
92154	92154-2003	BOLT,6X12	1
92154A	92154-3914	BOLT	1
92172	92172-1260	SCREW,5X8	3
92210	92210-2121	NUT,M6	4

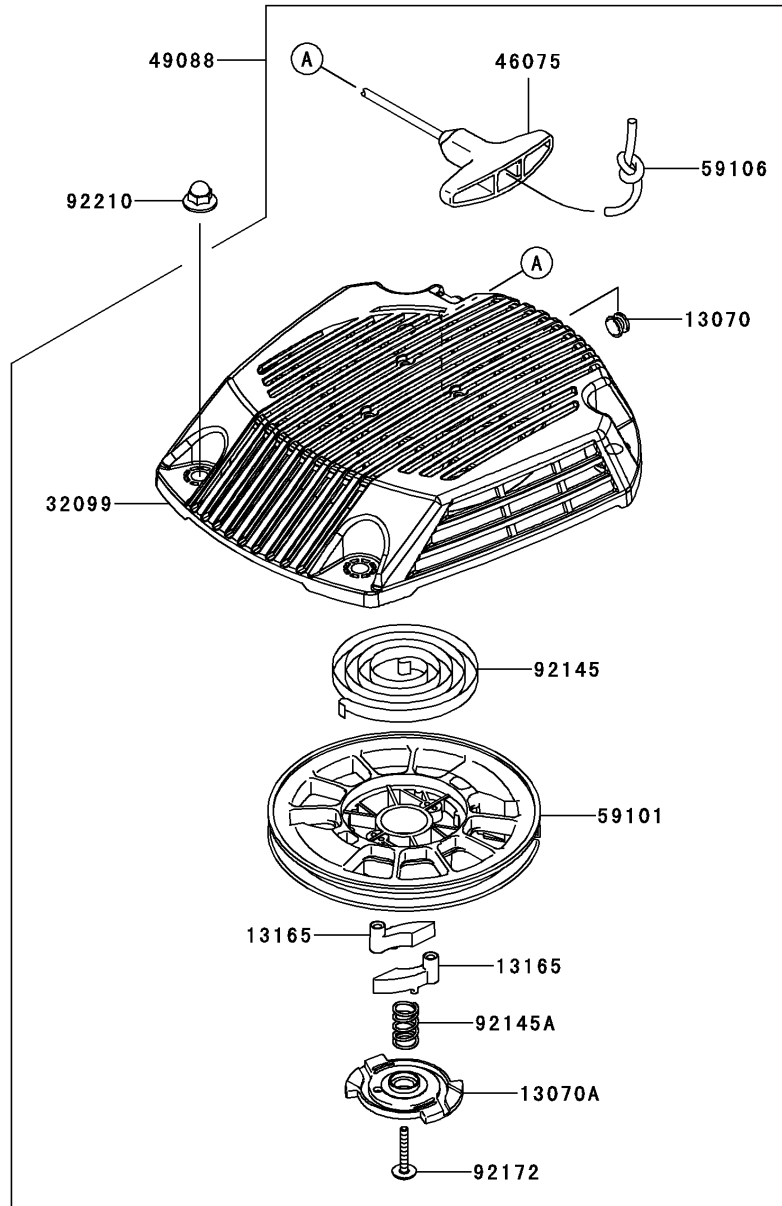
E0200-B033A



10. FUEL-TANK/FUEL-VALVE

Ref. No.	Part No.	Description	Quantity
			AP51
11061	11061-2216	GASKET	1
49019	49019-2119	FILTER-FUEL	1
51004	51004-0023	TANK-FUEL	1
51049	51049-2087	CAP-TANK,FUEL	1
92154	92154-3888	BOLT,TANK	3
92173	92173-1422	CLAMP	2
92173A	92173-1439	CLAMP	1
92192	92192-1927	TUBE,6.5X12.5X285	1

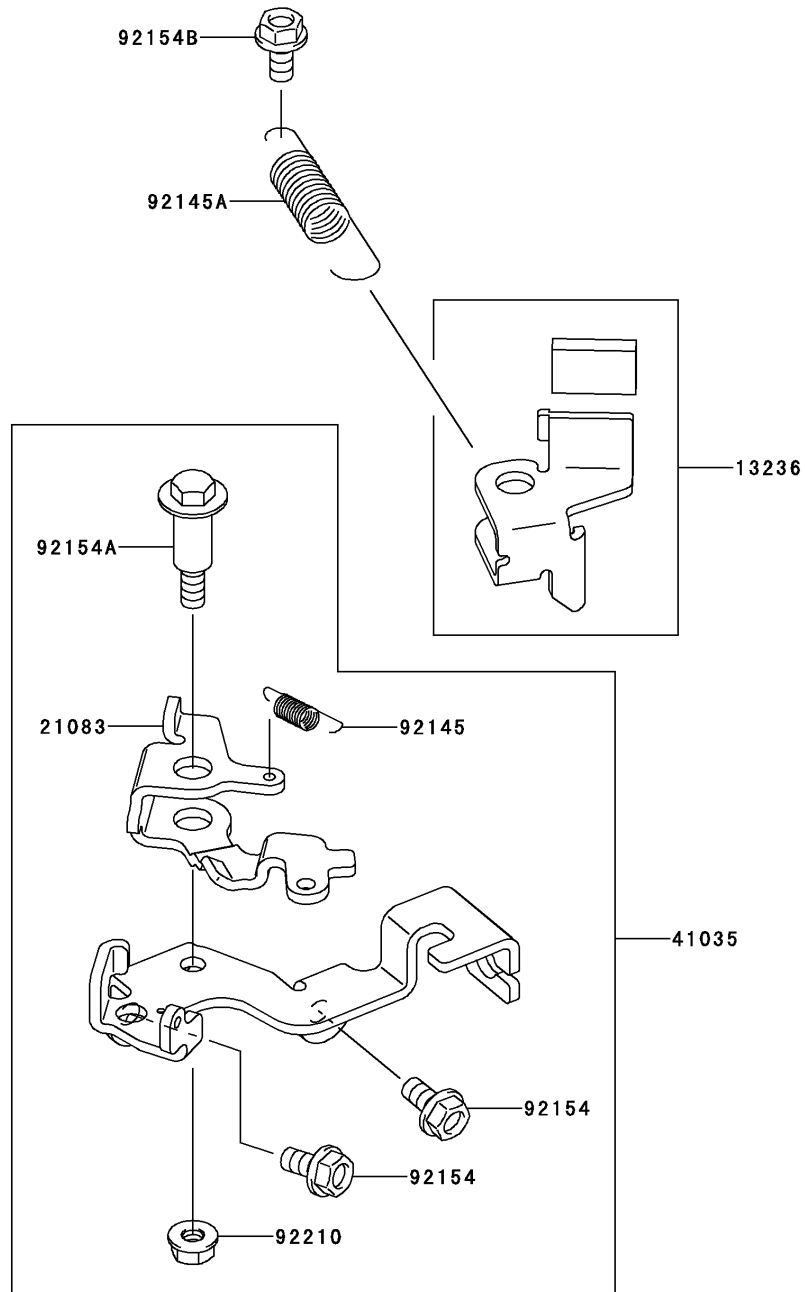
E0210-A792A



## 11. STARTER

Ref. No.	Part No.	Description	Quantity
		AP51	
13070	13070-2124	GUIDE,ROPE	1
13070A	13070-2125	GUIDE	1
13165	13165-2108	PAWL,STARTER-RECOIL	2
32099	32099-0789	CASE	1
46075	46075-7002	GRIP	1
49088	49088-0036	STARTER-RECOIL	1
59101	59101-2128	REEL,STARTER-RECOIL	1
59106	59106-2187	ROPE,3.5X2200	1
92145	92145-2200	SPRING,SPIRAL	1
92145A	92145-2201	SPRING	1
92172	92172-2131	SCREW	1
92210	92210-1619	NUT,M6	4

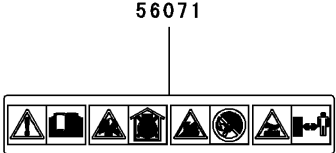
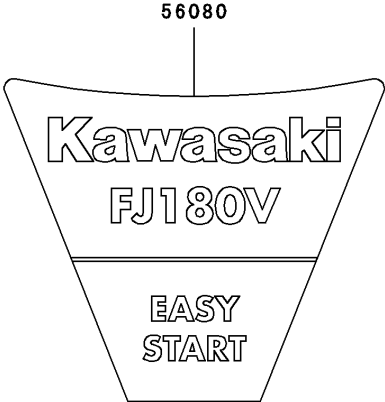
F0220-A068A



## 12. BRAKE/COVER

Ref. No.	Part No.	Description	Quantity
			AP51
13236	13236-7008	LEVER-COMP	1
21083	21083-0738	ARM	1
41035	41035-0715	PANEL-ASSY-BRAKE	1
92145	92145-1920	SPRING	1
92145A	92145-2181	SPRING	1
92154	92154-2003	BOLT,6X12	2
92154A	92154-2005	BOLT,M6	1
92154B	92154-2044	BOLT,6X8	1
92210	92210-2121	NUT,M6	1

F0290-C133A



13. LABEL

Ref. No.	Part No.	Description	Quantity
			AP51
56071	56071-0376	LABEL-WARNING	1
56080	56080-0900	LABEL-BRAND,FJ180V	1

# FJ180V- AP51

# NUMERICAL PARTS INDEX

Part No.	Fig No.	Part No.	Fig No.	Part No.	Fig No.	Part No.	Fig No.	Part No.	Fig No.	Part No.	Fig No.
11004-2146	1	16073-2241	6	92043-2263	1	92172-2108	1				
11008-2171	1	16146-0837	9	92043-2274	8	92172-2131	11				
11011-0903	9	16154-7002	4	92049-0785	1	92172-2132	8				
11013-0778	9	16154-7004	3	92049-2272	1	92173-1422	10				
11013-0779	9	16169-0011	8	92049-2273	1	92173-1439	10				
11022-2083	1	16171-0048	7	92055-0900	4	92173-1743	1				
11055-2014	5	16184-0004	8	92055-2214	4	92192-1927	10				
11061-1222	9	16186-0001	8	92063-0725	8	92192-2243	1				
11061-1232	4	16188-2001	8	92063-2498	8	92200-1907	7				
11061-1267	1	21083-0738	12	92063-2499	8	92200-2183	6				
11061-2210	1	21169-2077	6	92066-0898	4	92200-2185	7				
11061-2212	9	21171-2267	6	92066-7020	8	92210-1619	11				
11061-2213	1	21187-0010	8	92070-2119	6	92210-2121	12				
11061-2215	8	21194-0718	6	92093-2135	8	92210-2121	7				
11061-2216	10	214AA0420	7	92143-2135	7	92210-2121	9				
11061-2238	8	26011-2390	6	92144-2266	7	92210-2123	3				
11061-7054	8	32099-0789	11	92145-1820	8	92210-2126	6				
11065-1302	9	39003-2104	7	39003-2104	7						
12004-2122	1	39092-2055	7	92145-1920	12						
12005-2107	1	39129-0050	7	92145-2179	3						
12009-2072	1	39182-0006	7	92145-2181	12						
12011-0006	1	41035-0715	12	92145-2200	11						
12016-2067	3	42036-0830	7	92145-2201	11						
12032-0026	3	46075-7002	11	92145-2202	8						
12043-2001	3	49019-2119	10	92150-2182	7						
13001-2175	2	49054-0009	9	92152-2483	8						
13002-2102	2	49070-2792	9	92152-2484	8						
13008-6073	2	49078-2089	1	92154-0816	2						
13031-2130	2	49088-0036	11	92154-0821	1						
13070-2118	3	49103-2177	7	92154-2003	1						
13070-2124	11	49110-0015	7	92154-2003	12						
13070-2125	11	49120-0893	1	92154-2003	7						
130AA0618	7	51004-0023	10	92154-2003	9						
13116-2076	3	51049-2087	10	92154-2005	12						
13165-2108	11	52005-0764	4	92154-2006	4						
13168-0870	7	56071-0376	13	92154-2006	5						
13236-7008	12	56080-0900	13	92154-2009	3						
13251-0721	2	59041-2098	5	92154-2011	1						
14037-2154	5	59066-0815	5	92154-2014	6						
14041-0607	1	59101-2128	11	92154-2016	6						
14091-2138	1	59106-2187	11	92154-2017	6						
14091-2141	6	59231-0734	4	92154-2018	7						
14093-0696	5	92004-0787	9	92154-2044	12						
14093-0872	9	92004-2162	9	92004-2162	5						
15004-1003	8	92009-2049	8	92154-2918	5						
16025-2213	8	92015-2051	7	92154-2919	5						
16030-7004	8	92022-2372	7	92154-3888	10						
16041-0046	8	92033-2199	2	92154-3914	9						
16041-0047	8	92038-2107	6	92171-7016	7						
16073-2240	8	92043-2261	1	92172-1260	9						
				92172-2107	3						



**Kawasaki Heavy Industries, Ltd.**

Motorcycle & Engine Company

Part No. 99907-3200-01