



Promaster 260Z

Parts Manual

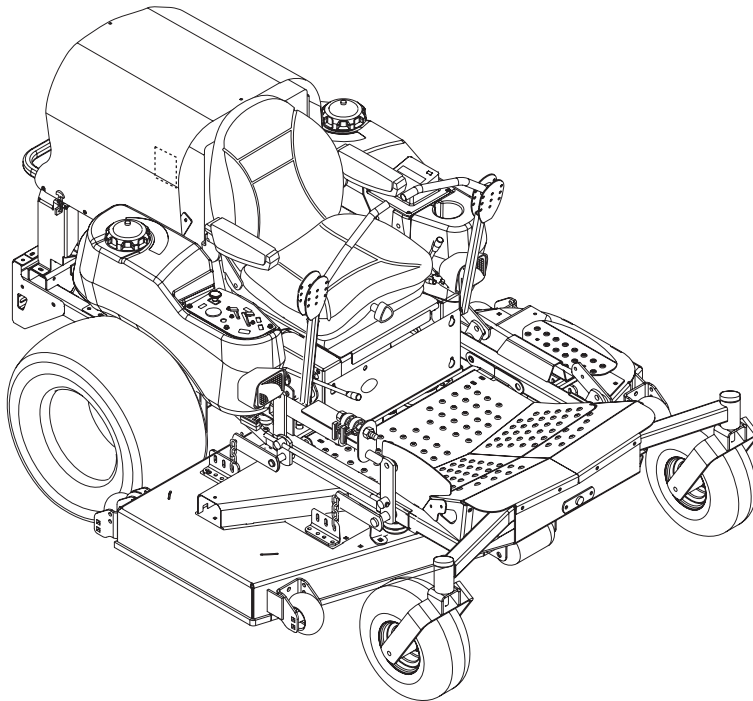
Models

992316 - 27hp PM260H, Rear Discharge

992317 - 31hp PM260H, Rear Discharge

992321 - 31hp PM272H, Rear Discharge

992322 - 27hp PM252H, Rear Discharge



THE MANUAL

Before you operate your unit, carefully and completely read manuals supplied with the unit. The contents will provide you with an understanding of safety instructions and controls during normal operation and maintenance.

For your safety and the safety of others always read, understand, and follow all DANGER, WARNING, and CAUTION messages found in manuals and on safety decals.

Hardware descriptions are given in decimals.

Decimals to Fractions			
.063	1/16	.563	9/16
.125	1/8	.625	5/8
.188	3/16	.688	11/16
.250	1/4	.750	3/4
.313	5/16	.813	13/16
.375	3/8	.875	7/8
.438	7/16	.938	15/16
.500	1/2	1.00	1

SERVICE AND REPLACEMENT PARTS

When ordering replacement parts or making service inquiries, know the Model and Serial numbers of your unit and engine.

Numbers are located on the product registration card in the unit literature package. They are printed on a serial number label, located on the frame of your unit.

• Record Unit Model and Serial numbers here:

• Record Engine Model and Serial numbers here:

UNAUTHORIZED REPLACEMENT PARTS

Use only Ariens replacement parts. The replacement of any part on this vehicle with anything other than a Ariens authorized replacement part may adversely affect the performance, durability, or safety of this unit and may void the warranty. Ariens disclaims liability for any claims or damages, whether warranty, property damage, personal injury or death arising out of the use of unauthorized replacement parts.

PRODUCT REGISTRATION

The Ariens dealer must register the product at the time of purchase. Registering the product will help the company process warranty claims or contact you with the latest service information. All claims meeting requirements during the limited warranty period will be honored, whether or not the product registration card is returned. Keep a proof of purchase if you do not register your unit.

Customer Note: If Dealer does not register your product, please fill out, sign and return the product registration card to Ariens or go to www.ariens.com

YOUR SATISFACTION IS IMPORTANT

Questions? Please follow these helpful steps:

1. Refer to the manuals supplied with your unit.
They will guide you through safe and proper operation and maintenance.
They contain specifications on your unit.
If your questions are not answered in these manuals, go to step number two.
2. Contact Your Dealer.
Our dealers will be happy to supply any service or advice required to keep your unit operating at peak efficiency.
A factory trained staff is available to support your equipment needs. They stock genuine Ariens parts and lubricants manufactured with the same precision and skill as the original.
If your questions are not resolved by the support staff, ask for the manager or owner.
When contacting your Dealer supply your model and serial numbers.

TO SPEED PARTS ORDERING:

1. Know the model and serial numbers of your unit.
2. Know the part number required.
3. Know the quantity required.
4. Know the part description.

MODELS

International

Model 992316

27hp Daihatsu with 60" Mower Deck Rear Discharge
Serial No. 002500 and up

Model 992317

31hp Daihatsu with 60" Mower Deck Rear Discharge
Serial No. 002500 and up

Model 992321

31hp Daihatsu with 72" Mower Deck Rear Discharge
Serial NO. 002500 and up

Model 992322

27hp Daihatsu with 52" Mower Deck Rear Discharge
Serial NO. 002500 and up

TABLE OF CONTENTS

DECALS

Decals	4
------------------	---

MAIN FRAME

Frame	6
Seat and Hood Frame	8
Hood and Bumper	9

POWER PLANT

Engine, Muffler & Air Filter	10
Clutch & Flywheel	12
Radiator & Radiator Brackets	14
Fuel Tanks and Hoses	15

DRIVE TRAIN

Hydrostatic Pumps, Idlers, & Belt	16
Wheel Motors, Tires, Brakes, & Front Forks	18
Brake Linkage	20

OPERATOR CONTROLS

Steering Levers & Linkages	22
Control Panel	24

HYDRAULICS

Hydraulic Deck Lift	25
Hydraulic Lift Cylinder	26
Hydraulic Tank, Filter, Pumps, & Hoses	27
Hose Routing for Pumps, Wheel Motors & Cylinder	28
Hydraulic Diagram	29

ELECTRICAL

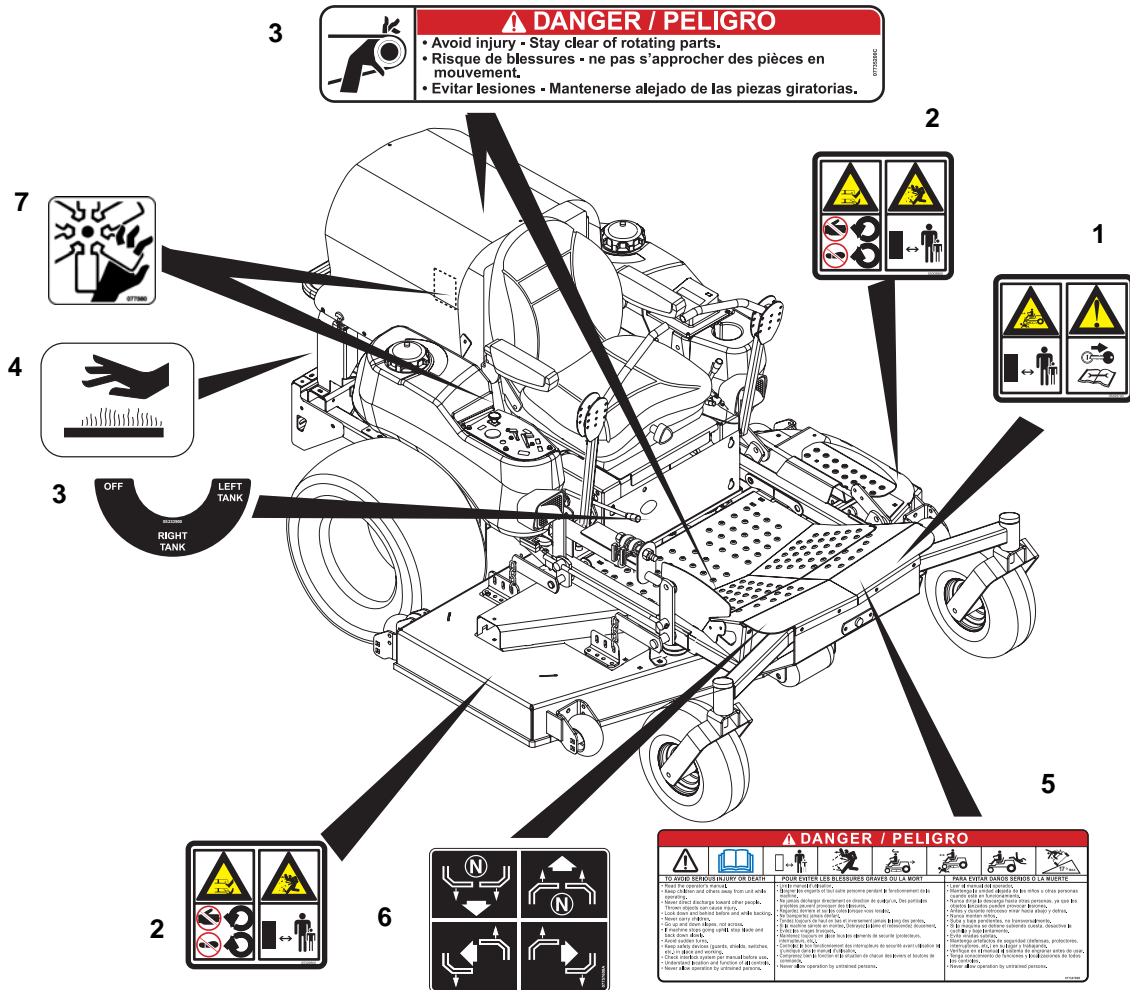
Electrical System	30
Continuity Diagram	32
Wiring Diagram	33

MOWER DECKS

Deck, Anti-Scalp Rollers, & Belt Covers	34
Mounting Arms, Link Chains, & Deck Bumpers	36
Belts, Spindles, Idlers and Mower Blades	38

DECALS

Model 992316, 317, 321, 322

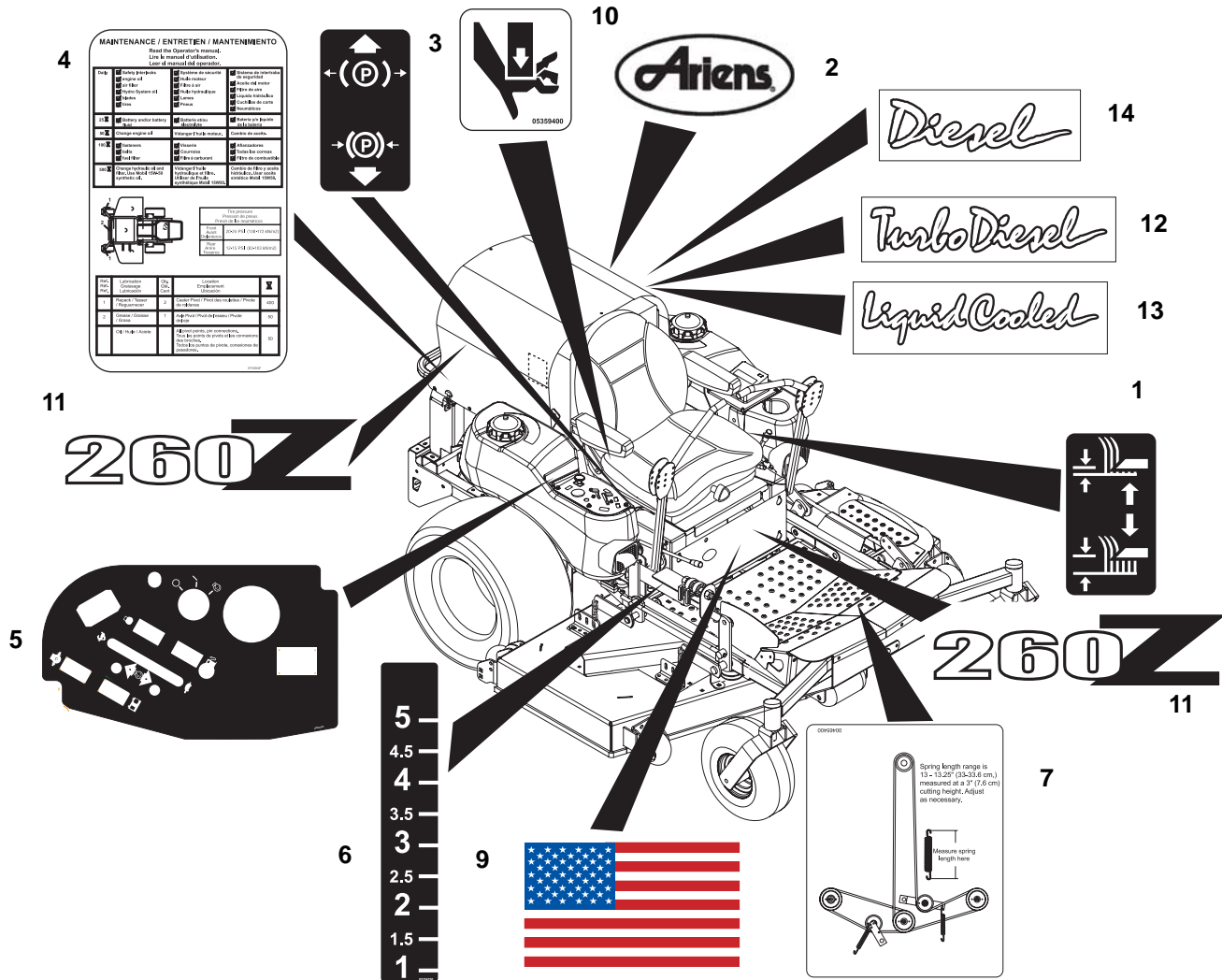


PD1947

Item	Part No.	Qty.	Description
1	05309700	1	Decal, CE Caution
2	05309800	2	Decal, CE Caution
3	69209300	1	Set, Decal-Common Danger/Fuel
4	07754100	1	Decal-Hot Surface
5	07742300	1	Decal, Warning
6	07757600	1	Decal-Instructional
7	07756000	2	Decal, Danger Fan

DECALS

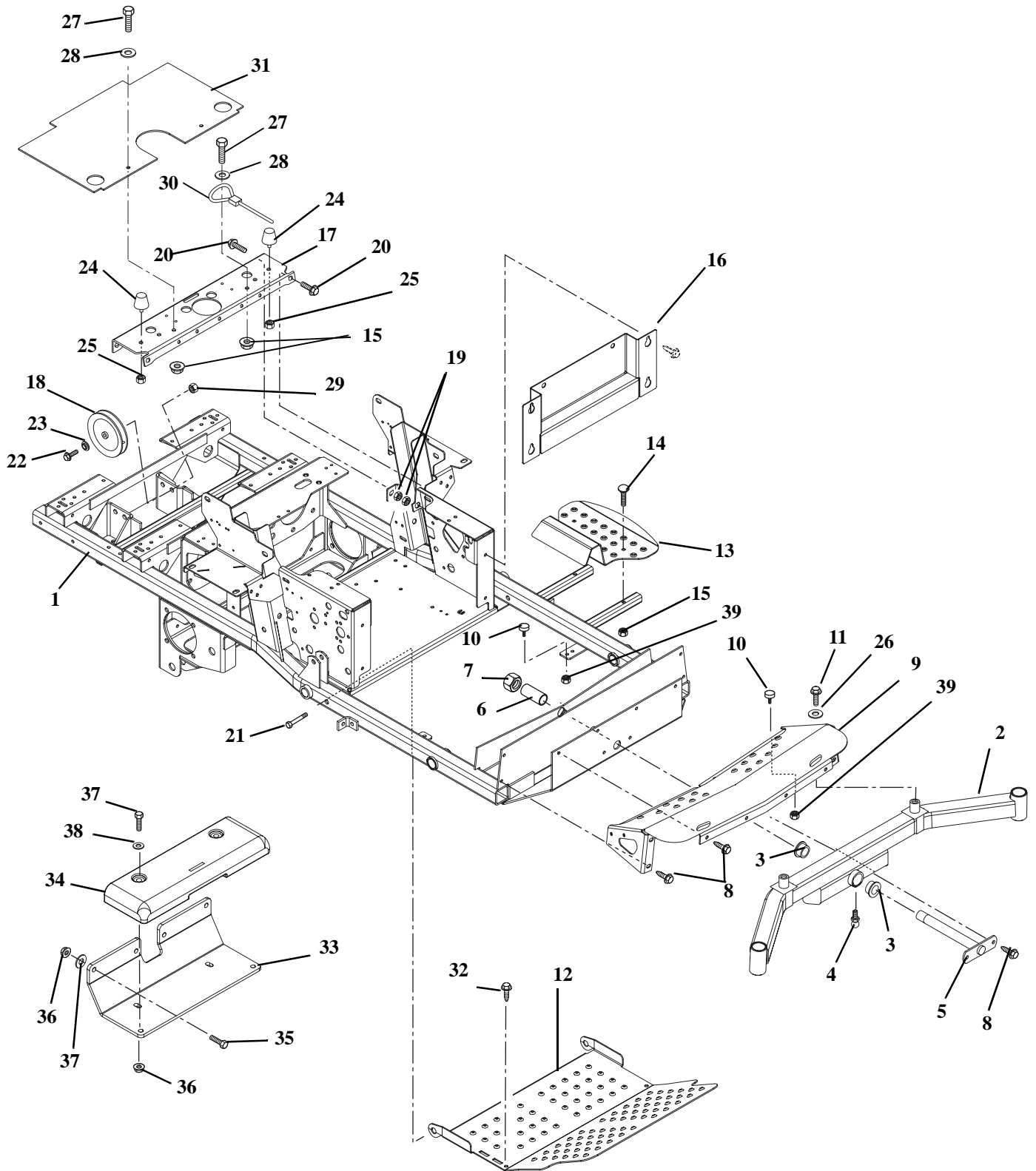
Model 992316, 317, 321, 322



Item	Part No.	Qty.	Description
1	07735300	1	Decal, Lift Lever
2	05359900	2	Decal, Ariens
3	07757500	1	Decal, Parking Brake Lever
4	07735500	1	Decal, Service Instructions
5	05362100	1	Decal, Control Panel
6	05354700	1	Decal, Height of Cut
7	00465400	1	Decal, Belt Diagram
8	05233600	1	Decal, PM-260Z
9	05305100	1	Decal, American Flag
10	05359400	1	Decal, Pinch Point
11	05233600	3	Decal, PM260Z (316, 317)
	05233500	3	Decal, PM272Z (321)
	05305500	3	Decal, PM252Z (322)
12	05362600	2	Decal, Turbo Diesel (317, 321)
13	05362700	2	Decal, Liquid Cooled
14	05362500	2	Decal, Decal Diesel (316, 322)

FRAME

Model 992316, 317, 321, 322



PD0500

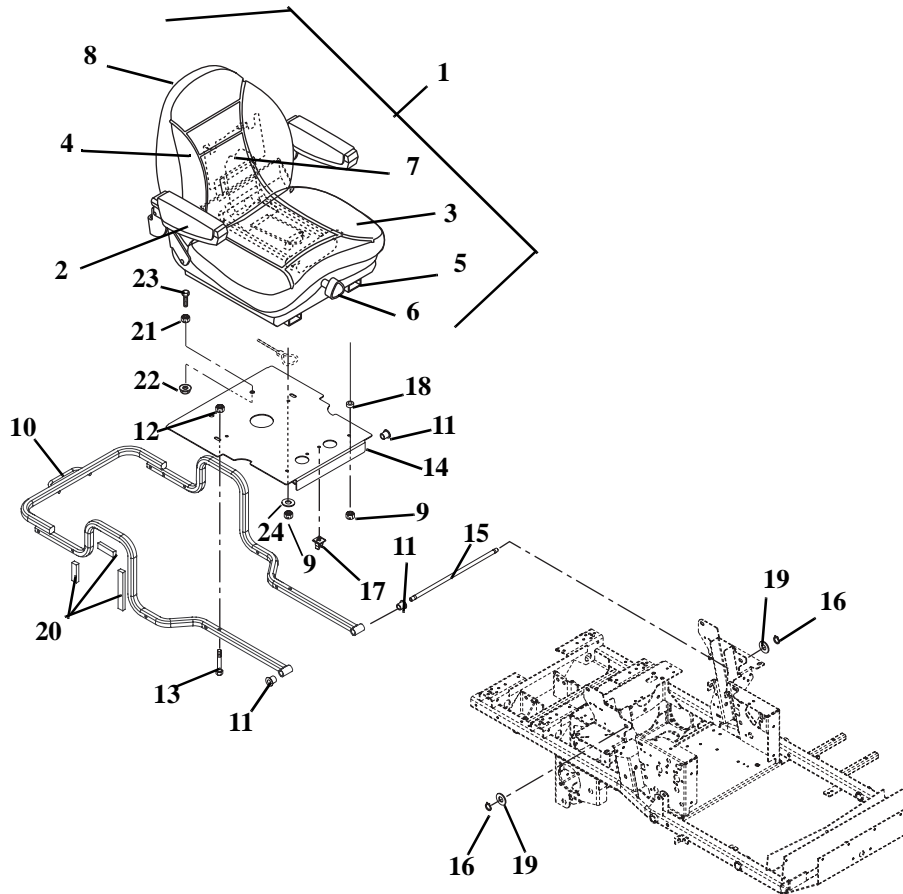
FRAME

Model 992316, 317, 321, 322

Item	Part No.	Qty.	Description
1	00443251	1	Weldment, Frame
2	00450453	1	Weldment, Front Axle
3	05520100	2	Bushing, Flange 1.020 x 1.385 x .75 x 1.75
4	07012600	1	Fitting, Lube .25-28 x .256
5	09232000	1	Pin, Axle
6	09231900	1	Spacer
7	06543200	1	Nut, Locking Nylon 1.0-14
8	07415400	11	Screw, Tapping .38-16 x .75
9	00444153	1	Weldment, Axle Cover
10	07533600	6	Button, Bumper
11	05975000	2	Bolt, Hex .50-20 x 1.00 Grade 5
12	00444053	1	Panel, Inspection
13	09231251	1	Step, Ingress
14	06220200	2	Bolt, Round Head Square Neck .31-18 x 1.75 Grade 5
15	06543100	4	Nut, Locking Top Flange .31-18
16	00483153	1	Plate, Kick
17	09275051	1	Channel, Cross
18	07328000	2	Pulley, Idler
19	07053300	4	Nut, Retainer .375-16 x .37
20	07049900	4	Bolt, Serrated Flange Washer Head .38-16 x 1.00
21	05960000	2	Bolt, Hex .50-13 x 3.25 Grade 5
22	05961000	2	Bolt, Hex .50-13 x 2.25 Grade 5
23	06436600	2	Washer, Flat Steel .505 x .88 x .072
24	07533000	2	Bumper
25	06530400	2	Nut, Spin Lock-Flange .312-18
26	06435200	2	Washer, Flat Steel .064 x 1.810 x .250
27	05946900	2	Bolt, Hex .31-18 X 1.00 Grade 5
28	06446300	2	Washer, Flat Steel .344 x 1.125 x .135
29	06543600	2	Nut, Locking Top Flange .50-13
30	06900010	1	Cable, Seat Prop
31	00436900	1	Guard, Grass
32	07414100	2	Screw, tapping .38-16 x 1.00
33	00475351	1	Bracket, Weight
34	00172000	1	Weight, Cast Iron
35	05947100	4	Bolt-Hex .50-13 x 1.00 Grade 5 (992322)
36	06543600	6	Nut, Locking Top Flange .50-13 (992322)
37	05962300	2	Bolt, Hex .50-13 x 4.50 Grade 5 (992322)
38	06441900	6	Washer, Flat Steel .531 x 1.06 x .095 (992322)
39	06530400	6	Nut, Spin Lock, Flange .312-18

SEAT AND HOOD FRAME

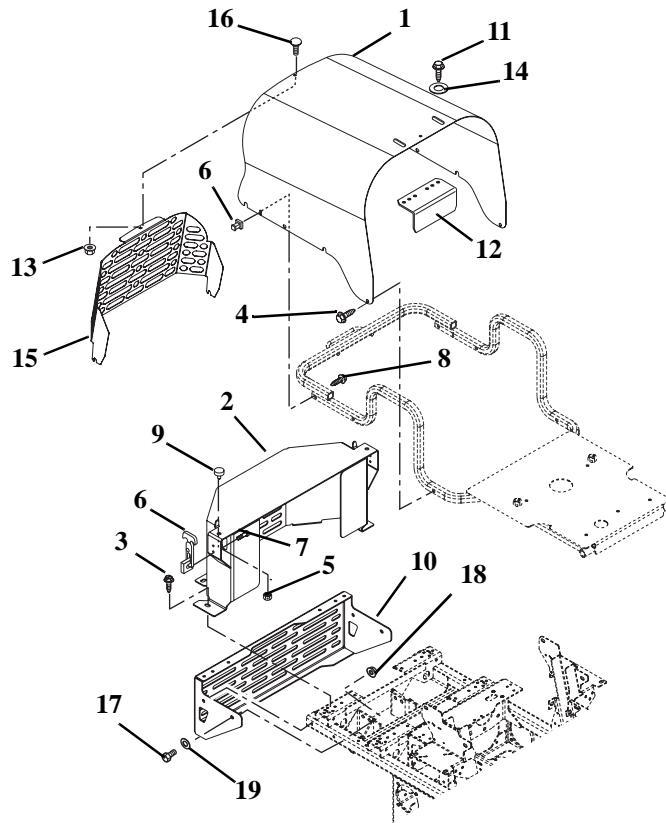
Model 992316, 317, 321, 322



Item	Part No.	Qty.	Description
1	09293000	1	Seat, Suspension
2	59204500	AR	Kit, Arm Pad (1 per bag)
3	59204400	AR	Kit, Seat Cushion
4	59204300	AR	Kit, Back Cushion
5	59207900	AR	Kit, Seat Slide
6	59208000	AR	Kit, Seat Knob
7	59207800	AR	Kit, Spring and Saddle
8	59208100	AR	Kit, Seat Back Panel
9	06543100	4	Nut, Locking Top Flange .31-18
10	09278753	1	Weldment, Hood Frame
11	05521100	4	Bushing, Flange .515 x .750 x .745 x 1.00
12	06542000	2	Nut, Locking Top Flange .38-16
13	07056300	2	Bolt, Rib Neck .38-16 x 1.50
14	09274151	1	Weldment, Seat Pivot Mount
15	09245400	1	Rod, Seat Frame Pivot
16	05717100	2	Ring, Retaining External .500 x .050
17	07534100	1	Clip
18	05508900	8	Bushing, Sleeve .377 x .624 x .235
19	06441900	2	Washer, Flat Steel .531 x 1.06 x .095
20	00932300	36"	Tape, VHB
21	06537300	1	Nut, Hex .50-13
22	06543600	1	Nut, Locking Top Flange .50-13
23	05962000	1	Bolt, Hex .50-13 x 1.50
24	06446300	1	Washer, Flat Steel .344 x 1.125 x .135

HOOD AND BUMPER

Model 992316, 317, 321, 322

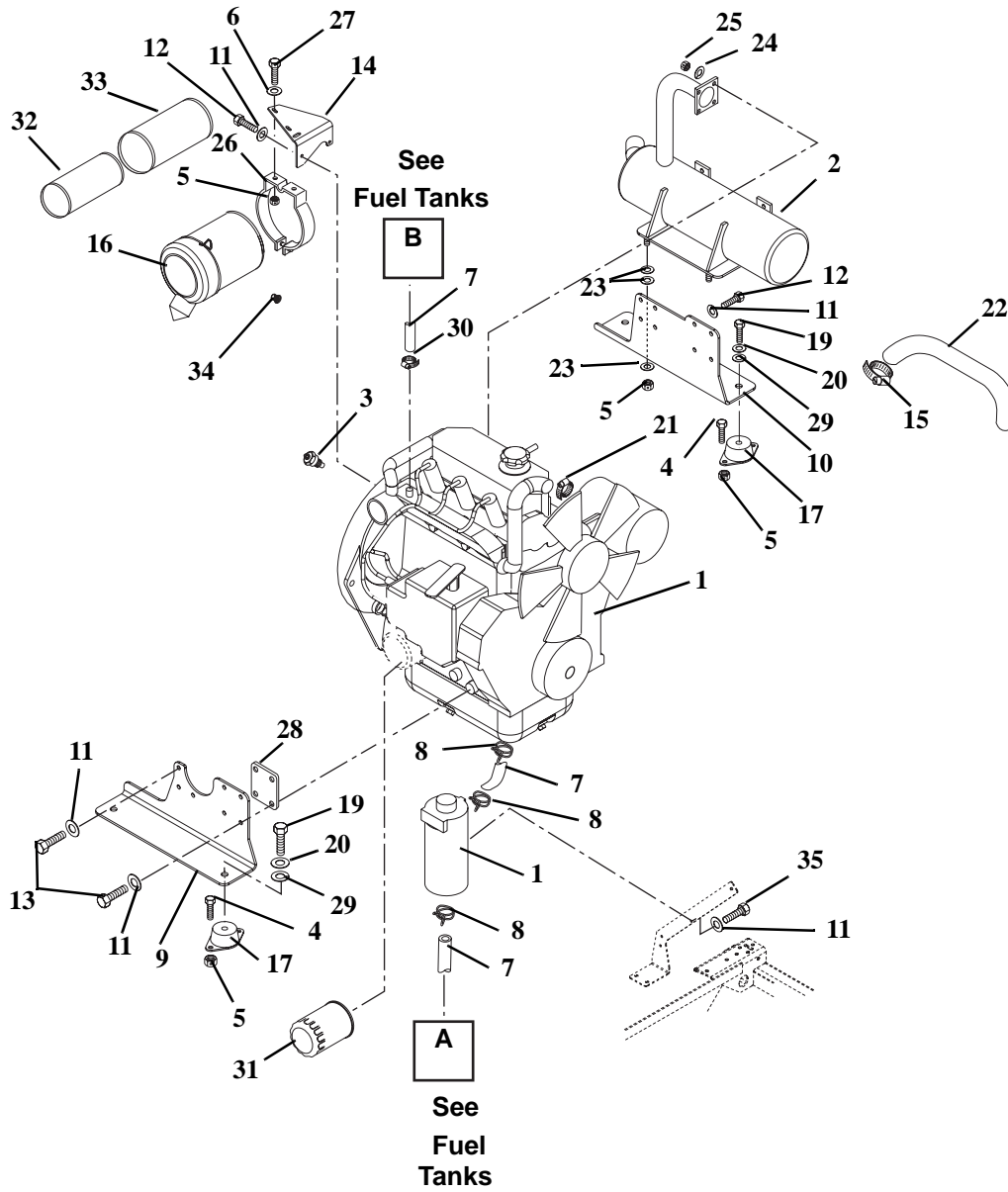


PD0520

Item	Part No.	Qty.	Description
1	09278853	1	Hood
2	00165251	1	Diesel Belt Guard
3	07415400	4	Screw, Tapping .38-16 x .75 Hex Washer Head
4	07412900	6	Screw, Tapping .38-16 x .50 Hex Washer Head
5	06530400	2	Nut, Spin Lock, Flange .312-18
6	09079500	2	Latch, Rubber
7	06116700	4	Screw, Machine 10-24 x .50 Hex Washer Head
8	06118200	2	Screw, Machine 10-24 x 1.50 Hex Washer Head
9	07533600	2	Bumper, Rubber
10	00463951	1	Bumper, Weldment, Rear Diesel
11	07412000	2	Screw, Tapping .25-20 x .50 Hex Washer Head
12	00160353	1	Guard, Radiator Cap
13	06543500	1	Nut, Locking Top Flange .25-20
14	06437300	2	Washer, Flat Steel .281 x .62 x .065
15	09281151	1	Guard, Hood
16	06220600	1	Bolt, Round Head Square Neck .25-20 x .50 Grade 5
17	05961400	4	Bolt, Hex .38-16 x 2.75 Grade 5
18	06542000	4	Nut, Locking Top Flange .38-16
19	06436200	4	Washer, Flat Steel .406 x .812 x .065

ENGINE, MUFFLER & AIR FILTER

Model 992316, 317, 321, 322



PD0530

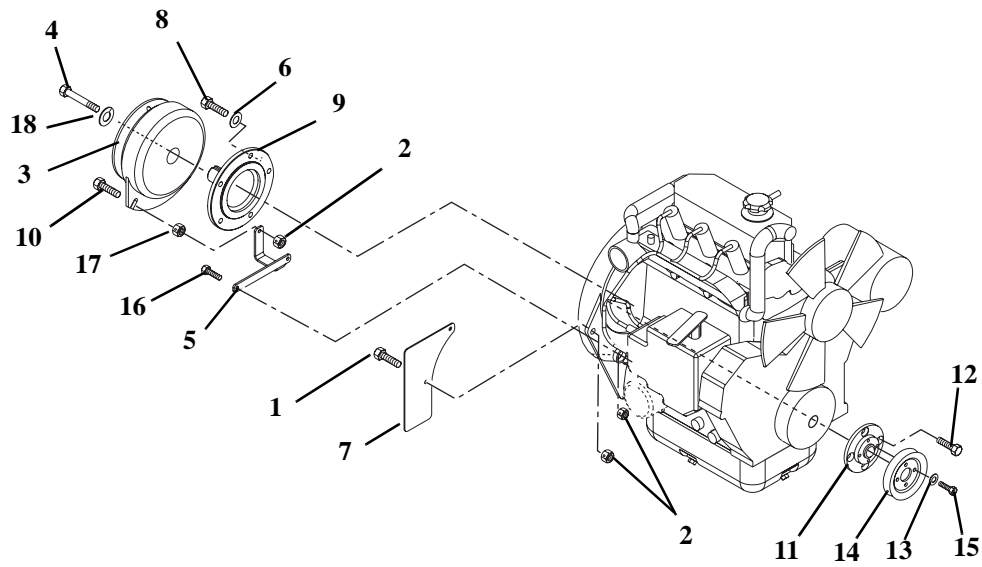
ENGINE, MUFFLER & AIR FILTER

Model 992316, 317, 321, 322

Item	Part No.	Qty.	Description
1	08270300	1	Engine, 27HP Daihatsu Diesel (950D) (316, 322)
	08267100	1	Engine, 31HP Dahatsu Diesel (950DT) (317, 321)
2	09297800	1	Muffler (316, 322)
	09265900	1	Muffler (317, 321)
3	09263300	1	Sender, Temperature
4	05947000	4	Bolt, Hex .31-18 x .75 Grade 5
5	06543100	14	Nut, Locking Top Flange .31-18
6	06308400	2	Washer, Locking .25 x .062 Regular
7	00922600	109"	Gas Line, Bulk .31" ID
8	06947900	3	Hose, Clamp
9	09265251	1	Mount, Engine Right Hand
10	09265351	1	Mount, Engine Left Hand
11	06308600	17	Washer, Lock .31 x .078 Regular
12	05973300	10	Bolt, Hex M8-1.25 x 20
13	05964900	2	Bolt, Hex M8 x 1.25 x 25 Grade 8
14	09295051	1	Bracket, Air Cleaner
15	06900005	2	Clamp, 2.50" Dia. Hose
16	09257500	1	Assembly, Air Cleaner
17	05034800	4	Mount, Engine
18	05946900	6	Bolt, Hex .31-18 x 1.00 Grade 5
19	05975000	4	Bolt, Hex .50-20 x 1.00 Grade 5
20	06307300	4	Washer, Locking .50 x .125 Regular
21	06922200	4	Clamp, Hose 1.50 x .81 x 1.42
22	09295400	1	Hose, Air Cleaner (316, 322)
	00172600	1	Hose, Air Cleaner (317, 321)
23	06435700	3	Washer, Flat Steel .38 x .875 x .083
24	06308600	4	Washer, Locking .31 x .078 Regular
25	06538600	4	Nut, Hex M8-1.25
26	09257600	1	Bracket, Air Cleaner Mount
27	06435700	2	Washer, Flat Steel .38 x .875 x .083
28	09277251	1	Spacer, Engine Mounting
29	06441900	4	Washer, Flat Steel .531 x 1.06 x .095
30	06948200	1	Hose Clamp
31	21539000	AR	Oil Filter
32	21536900	AR	Element, Inner Safety
33	21537000	AR	Element, Outer Primary
34	07012700	1	Plug, Pipe .125-27
35	05975900	1	Bolt, Hex M6-1 x 16

CLUTCH & FLYWHEEL

Model 992316, 317, 321, 322



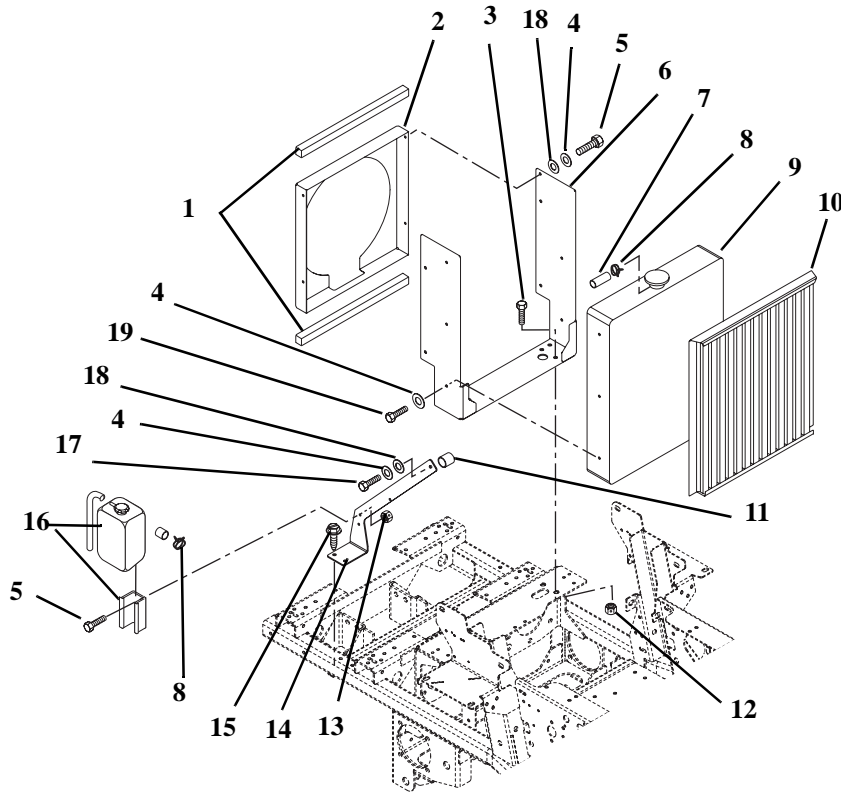
CLUTCH & FLYWHEEL

Model 992316, 317, 321, 322

Item	Part No.	Qty.	Description
1	05947000	2	Bolt, Hex .31 -18 x .75 Grade 5
2	06543100	5	Nut, Locking Top Flange .31-18
3	00462500	1	Clutch, Warner
NS	59205200	AR	Kit, Break Pole Module Replacement
4	05964600	1	Bolt, Hex .44-20 x 2.50 Grade 5
5	09264551	1	Stabilizer, Clutch
6	06308600	5	Washer, Lock .31 x .078 Regular
7	09273851	1	Guard, Flywheel
8	05964900	5	Bolt, Hex M8 x 1.25 x 25 Grade 8
9	00447200	1	Stub Shaft
10	05952400	1	Bolt, Hex .31-18 x 1.50 Grade 5
11	09265600	1	Adapter, Sheave
12	05978700	4	Bolt, M8-1.25 x 25
13	06308400	4	Washer, Locking .25 x .062
14	07328100	1	Sheave, Poly-V 1.0 x 3.25
15	05946800	4	Bolt, Hex .25-20 x .75 Grade 5
16	05946900	2	Bolt, Hex .31-18 x 1.00 Grad 5
17	06529200	1	Nut, Hex .31-18
18	06309300	1	Washer, Locking .44 x .109 Regular

RADIATOR & RADIATOR BRACKETS

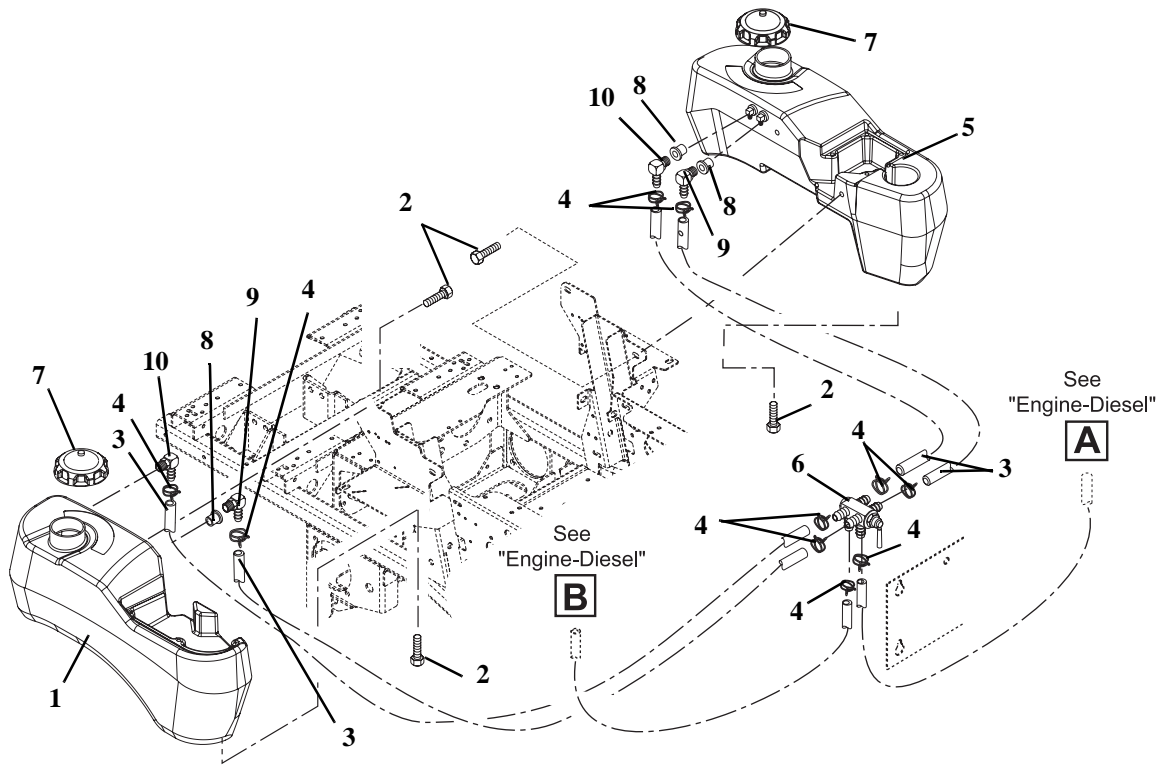
Model 992316, 317, 321, 322



Item	Part No.	Qty.	Description
1	00929000	33 in	Seal, Trim-LOK Bulk .06 Bubble
2	09266851	1	Weldment, Radiator Shroud
3	05948700	4	Bolt, Hex .38-16 x 1.00 Grade 5
4	06308400	9	Washer, Locking .25 x .062 Regular
5	05946800	6	Bolt, Hex .25-20 x .75 Grade 5
6	09265851	1	Bracket, Radiator Mounting
7	00924300	30"	Gas Line, Bulk .25 ID
8	06939100	2	Clamp, Hose Wire .49/.51 x .116
9	NA	1	Radiator (Comes with the engine)
10	09265400	1	Screen, Radiator
11	09235400	1	Spacer .328 x .76 x 1.01
12	06542000	4	Nut, Locking Top Flange .38-16
13	06543500	2	Nut, Locking Top Flange .25-20
14	09278651	1	Bracket, Overflow Mounting
15	07415400	2	Screw, Tapping .38-16 x .75 Hex Washer Head
16	NA	1	Reservoir Overflow (Comes with the engine)
17	05979200	1	Bolt, Hex M6-1.00 x 45
18	06437300	5	Washer, Flat Steel .281 x .62 x .065
19	05975900	5	Bolt, Hex M6-1 x 16

FUEL TANKS AND HOSES

Model 992316, 317, 321, 322

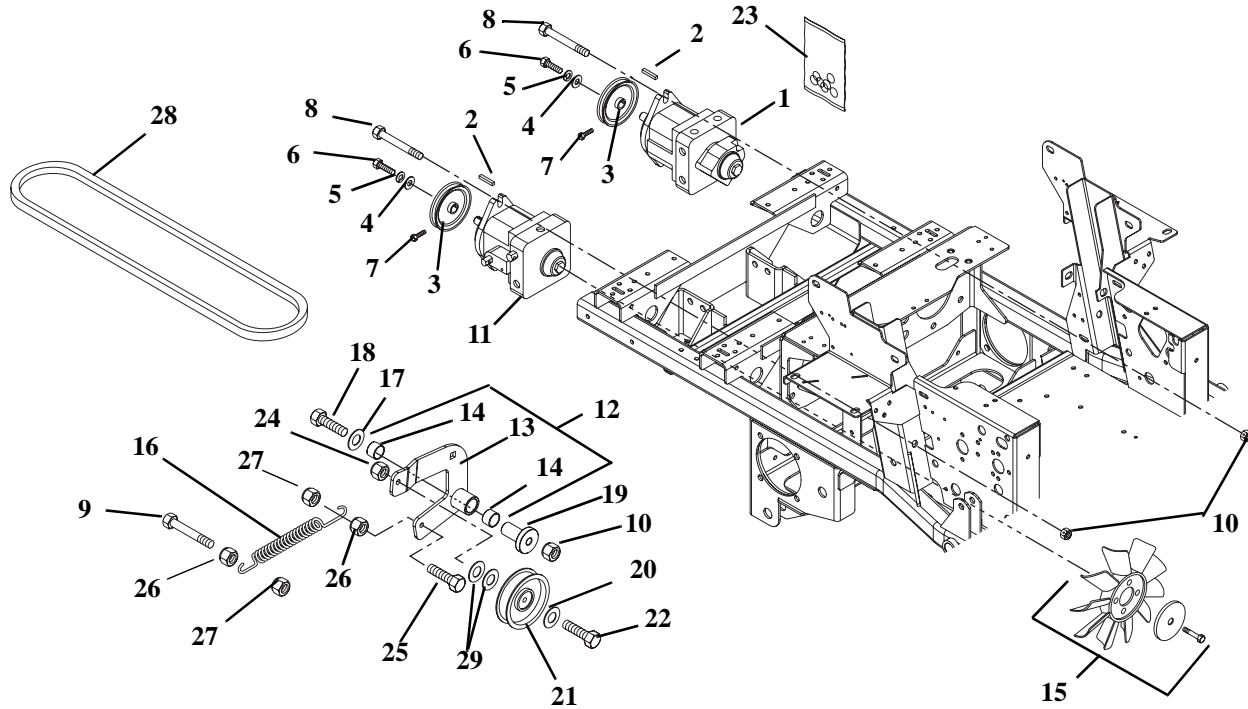


PD0540

Item	Part No.	Qty.	Description
1	00446200	1	Tank, Fuel-Right Hand
2	07000018	7	Bolt, SEMS .31-18 x .62
3	00922600	146"	Hose, .31 ID
4	06947900	10	Clamp, Hose Wire .52/.55
5	00199100	1	Tank, Left Hand Fuel (EYE-Q) 200 Series-EFI
6	09289600	1	Valve, Fuel
7	09269100	2	Cap, Fuel
8	00387300	AR	Grommet, Orange
9	21539100	AR	Fitting, Tank
10	21537200	AR	Fitting, Tank

HYDROSTATIC PUMPS, IDLERS, & BELT

Model 992316, 317, 321, 322

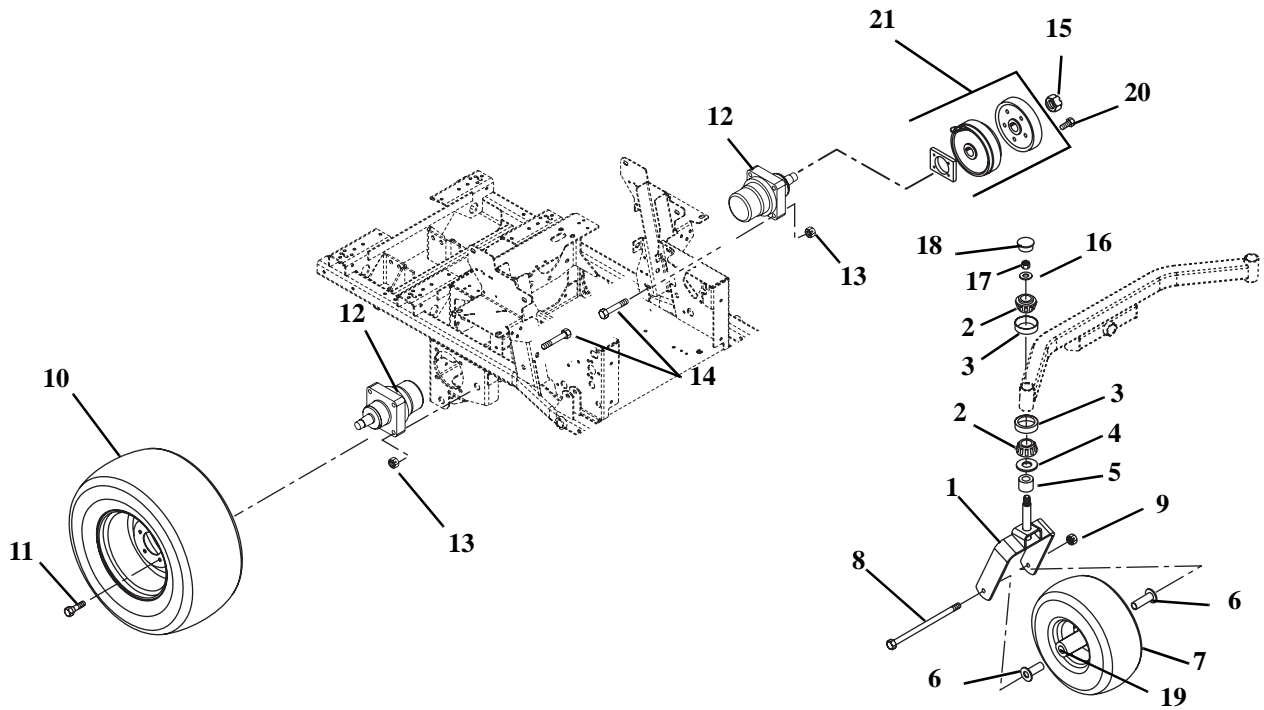


Item	Part No.	Qty.	Description
1	00583100	1	Pump, Hydraulic (RTN) with Auxiliary
2	06611300	2	Key, Square 5 x 5 x 30mm Plain
3	07327900	2	Sheave, Poly-V .671 x 4.125
4	06400010	2	Washer, Pump .28 x 1.25 x .50
5	06308400	2	Washer, Locking .25 x .062
6	05975900	2	Bolt, Hex M6 x 1 x 16
7	05980100	4	Screw, Socket Head .25-20 x .50
8	05962000	4	Bolt, Hex .50-13 x 1.50 Grade 5
9	05952600	1	Bolt, Hex .31-18 x 2.50 Grade 5
10	06543600	5	Nut, Locking Top Flange .50-13
11	00583300	1	Pump, Hydraulic (RTN)
12	09264300	1	Assembly, Idler Arm Guard Drive (Includes 13 & 14)
13	09264251	1	Weldment, Idler Arm Ground Drive
14	05435800	2	Bearing, 1.00 x 1.12 x .75
15	09420500	1	Fan, Hydro Pump Cooling
16	08321200	1	Spring, Tension .120 x .845 x 6.500
17	06442000	1	Washer, Flat Steel .39 x .75 x .125
18	05965800	1	Bolt, Hex .50-13 x 3.50 Grade 5
19	07053100	1	Bearing, Pedestal Powdered Metal
20	06436200	1	Washer, Flat Steel .406 x .812 x .065
21	07320800	1	Idler, Flat .377 x 4.0 x .96 Poly
22	05963300	1	Bolt, Hex .38-16 x 2.0 Grade 5
23	59203700	AR	Kit, Pump Seal (One kit required for each pump)
24	06542000	1	Nut, Locking Top Flange .38-16
25	05947500	1	Bolt, Hex .31-18 x 1.25 Grade 5
26	06529200	2	Nut, Hex .31-18
27	06543100	2	Nut, Locking Top Flange .31-18
28	07242800	1	Belt, Poly-V 49.50, Hydrostatic 200Z Series
29	06444300	2	Washer, Flat Steel .390 x .75 x .125

NOTES

WHEEL MOTORS, TIRES, BRAKES, & FRONT FORKS

Model 992316, 317, 321, 322



PD2231

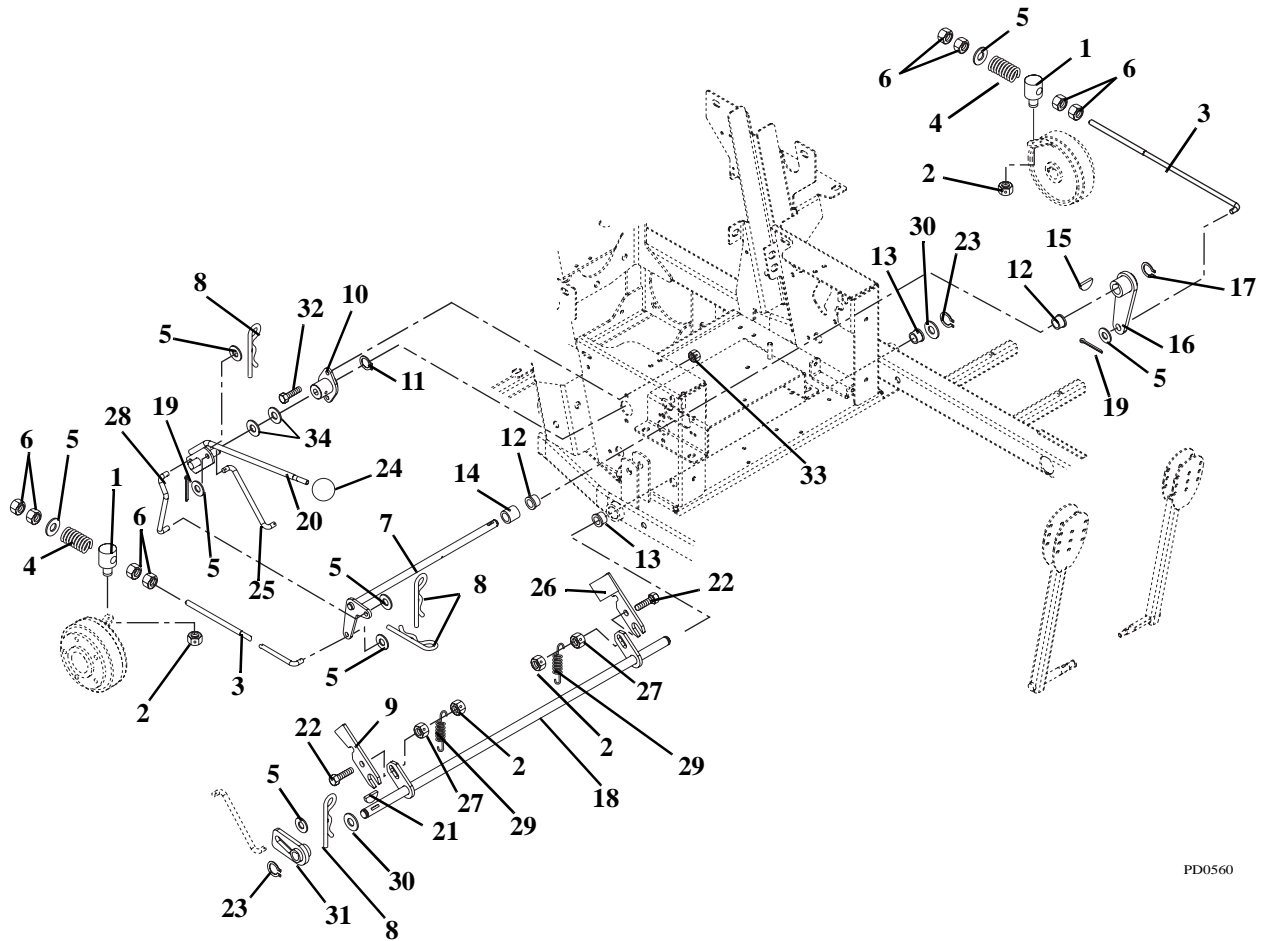
WHEEL MOTORS, TIRES, BRAKES, & FRONT FORKS

Model 992316, 317, 321, 322

Item	Part No.	Qty.	Description
1	00489853	2	Fork, Front
2	69000300	4	Bearing, Cone w/ Grease
3	05407000	4	Bearing, Cup 1.980 x .420
4	00531400	2	Bearing Seal 1.5 x 2 x .18
5	00531500	2	Spacer, PM, 1.03 I.D. x 1.5 O.D. x .375
6	09231800	4	Spacer, Wheel
7	07147800	2	Wheel/Tire Assembly
	07147100	AR	Tire, 15 x 6-6
8	05961200	2	Bolt, Hex .50-13 x 9.00 Grade 5
9	06536300	2	Nut, Locking Center .50-13
10	07157500	2	Tire/Wheel Assembly 24 x 12-12
	07158100	2	Tire, Turfmaster 24 x 12-12
11	07067700	10	Bolt, Lug .50-20 x 1.38 Grade 8, 60 Degree
12	09263100	2	Hydraulic Wheel Motor (Includes item 15)
13	06543600	8	Nut, Locking Top Flange .50-13
14	07067200	8	Bolt, Wheel Motor .50-13 x 2.75
15	06541900	AR	Nut , Lock Jam Patch (Included with 12)
16	06439000	2	Washer, Flat Steel 812 x 1.50 x .135
17	06536900	2	Nut, Jam Center-Lock .75-16
18	20655400	2	Cap, Dust
19	05435700	AR	Bearing, 25mm I.D. x 52mm OD x 15mm
20	05952400	8	Bolt, Hex .31-18 x 1.5 Grade 5
21	58904300	2	Kit, Parking Brake Service

BRAKE LINKAGE

Model 992316, 317, 321, 322



PD0560

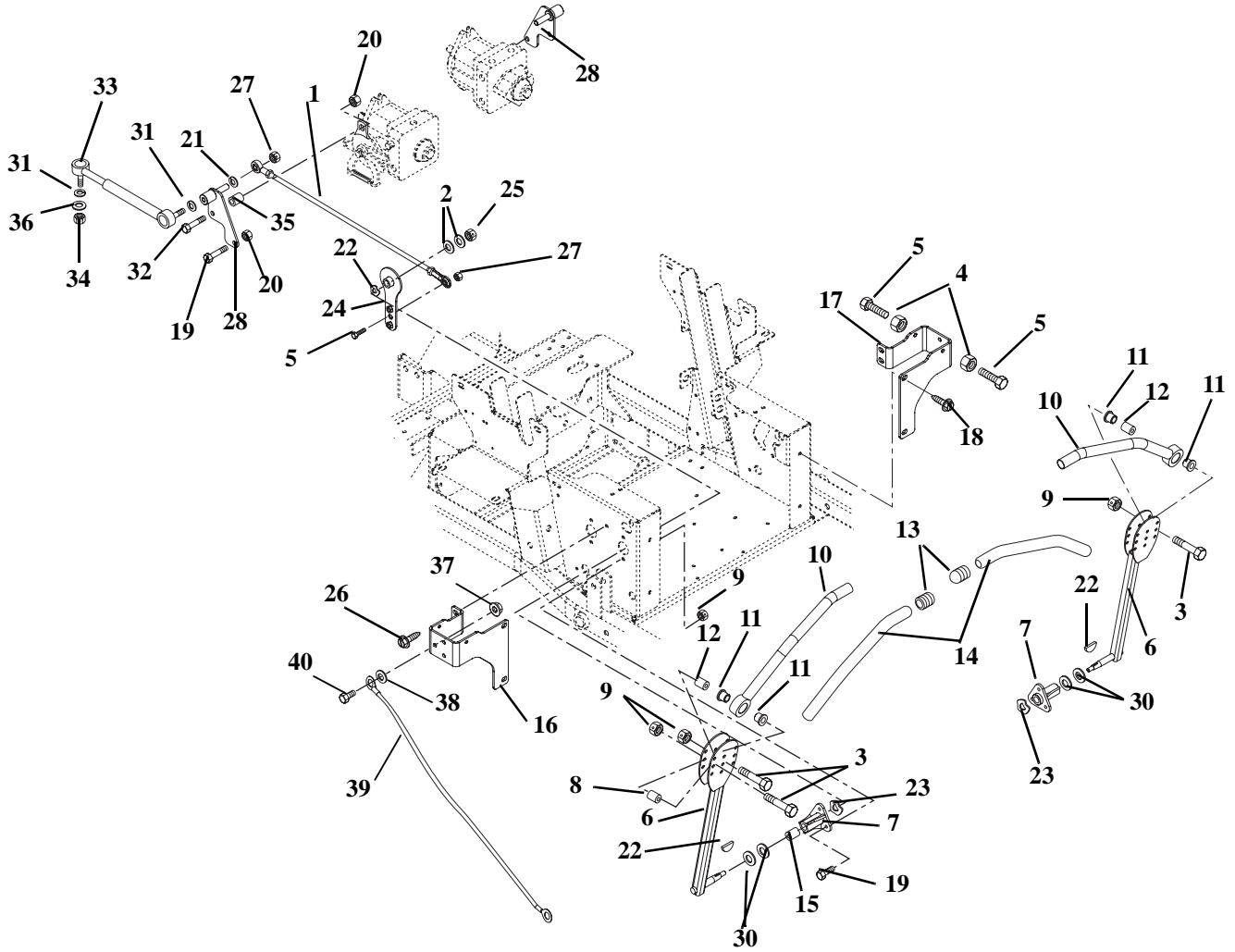
BRAKE LINKAGE

Model 992316, 317, 321, 322

Item	Part No.	Qty.	Description
1	09267300	2	Pivot, Brake Rod
2	06529800	4	Nut, Locking Center .31-18
3	08873000	2	PTO Link Rod
4	08300027	2	Spring, Compression .142 x .710 x 1.75
5	06436200	8	Washer, Flat Steel .406 x .812 x .065
6	06529400	8	Nut, Hex .38-16
7	00258800	1	Shaft, Brake Cross
8	06714800	5	Pin, Hair
9	09267700	1	Slide, Interlocking Brake
10	05534700	1	Bushing, Flange
11	05709200	1	Ring, Retaining External .625 x .05
12	05518400	2	Bushing, Flange Nylon .762 x 1.00 x .58 x 1.48
13	05521100	2	Bushing, Flange .515 x .75 x .745 x 1.00
14	05500900	1	Bushing, Sleeve .75 x 1.00 x .75
15	06608700	1	Key, Woodruff .19 x .75 Hard #9
16	00258600	1	Arm, Brake
17	05714600	1	Ring, Retaining External .69 x .077
18	09268000	1	Weldment, Mechanical Brake
19	06706900	1	Pin, Cotter External .09 x .75
20	00472000	1	Weldment, Brake Actuating
21	06608400	1	Key, Woodruff .13 x .63
22	06219200	2	Bolt, Round Head Square Neck .31-18 x 1.25 Grade 5
23	05717100	2	Ring, Retaining External .50 x .05
24	07505200	1	Knob, Steering Lock
25	09268400	1	Linkage, Brake Actuating
26	09275900	1	Interlock, Safety Switch
27	06543100	2	Nut, Locking Top Flange .31-18
28	09268300	1	Linkage, Brake Actuating
29	08314100	2	Spring, Tension .048 x .44 x 1.75
30	06439200	2	Washer, Flat Steel .505 x 1.00 x .062
31	09268100	1	Weldment, Parking Brake Hub
32	05947000	2	Bolt, Hex .31-18 x .75 Grade 5
33	06543100	2	Nut, Locking Top Flange .31-18
34	06445100	2	Washer, Flat Steel .630 x 1.25 x .062

STEERING LEVERS & LINKAGES

Model 992316, 317, 321, 322



PD0573

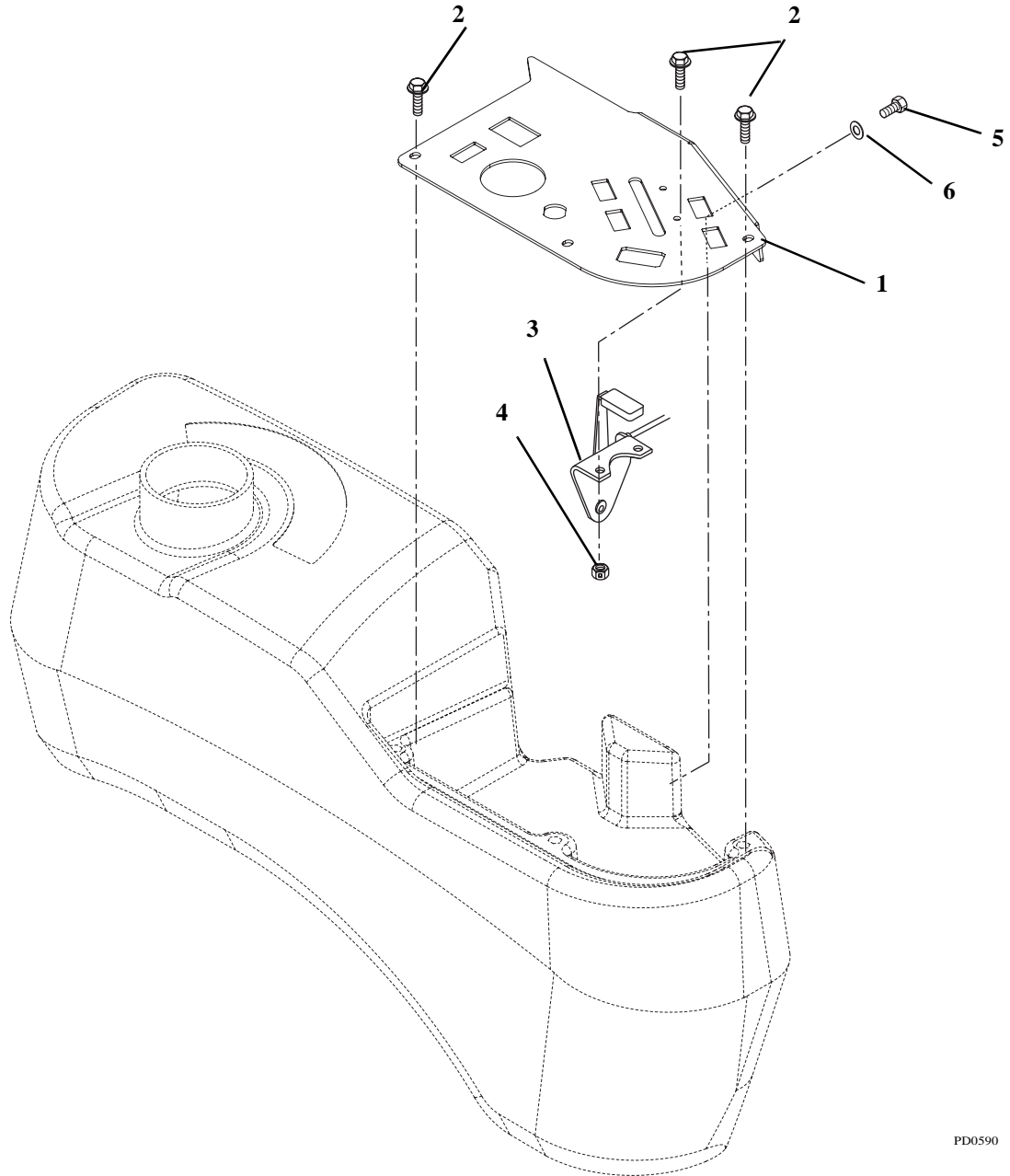
STEERING LEVERS & LINKAGES

Model 992316, 317, 321, 322

Item	Part No.	Qty.	Description
1	00396000	2	Assembly, Steering Rod .38Rod x 21.65
2	06436200	4	Washer, Flat Steel .408 x .812 x .065
3	05957400	6	Bolt, Hex .31-18 x 1.75 Grade 5
4	06535900	4	Nut, Hex Jam .375-16
5	05974000	6	Bolt, Hex .375-16 x 1.75
6	09288651	2	Weldment, Control Arm
7	09294600	2	Bushing, Flange
8	09235700	4	Eccentric
9	06543100	10	Nut, Locking Top Flange .31-18
10	09235500	1	Handle Weldment-Left Hand
	09235600	1	Handle Weldment-Right Hand
11	05525200	4	Bushing, Flange Nylon .762 x 1.48 x .44
12	09235400	2	Spacer
13	09211400	2	Caplug, Handlebar
14	09246800	2	Grip, Handlebar
15	05436800	4	Bushing .625 x .75 x .50
16	09289151	1	Bracket, Stop Right Hand
17	09289251	2	Bracket, Stop Left Hand
18	07415400	4	Screw, Tapping .38-16 x .75 Hex Washer Head
19	05947000	8	Bolt, Hex .31-18 x .75 Grade 5
20	06543100	4	Nut, Locking Top Flange .31-18
21	06308800	2	Washer, Locking .38 x .094 Regular
22	06608400	2	Key, Woodruff .13 x .63
23	03704900	2	Washer, Wave
24	00176400	2	Weldment, Pivot Arm
25	06542000	2	Nut, Locking Top Flange .38-16
26	07412900	4	Screw, Tapping .38-16 x .50 Hex Washer Head
27	06537200	2	Nut, Locking Jam Center .375-16
28	00180200	2	Weldment, Return to Neutral/Damper/Rod End
29	05958000	2	Bolt, Hex .38-16 x 1.25 Grade 5
30	06436100	4	Washer, Flat Steel .63 x 1.005 x .062
31	06308600	4	Washer, Locking .31 x .078
32	05947500	2	Bolt-Hex .31-18 x 1.25 Grade 5
33	01589300	2	Damper, Control
34	06541700	2	Nut-Locking-Nylon M8-1.25
35	03101900	2	Spacer .318 x .43 x .375
36	06435700	2	Washer, Flat Steel .38 x .875 x .083
37	06543500	1	Nut, Locking Top Flange .25-20
38	06439500	1	Washer, Flat Steel .265 x .50 x .087
39	06927100	1	Cable
40	05946800	1	Bolt, Hex .25-20 x .75 Grade 5

CONTROL PANEL

Model 992316, 317, 321, 322

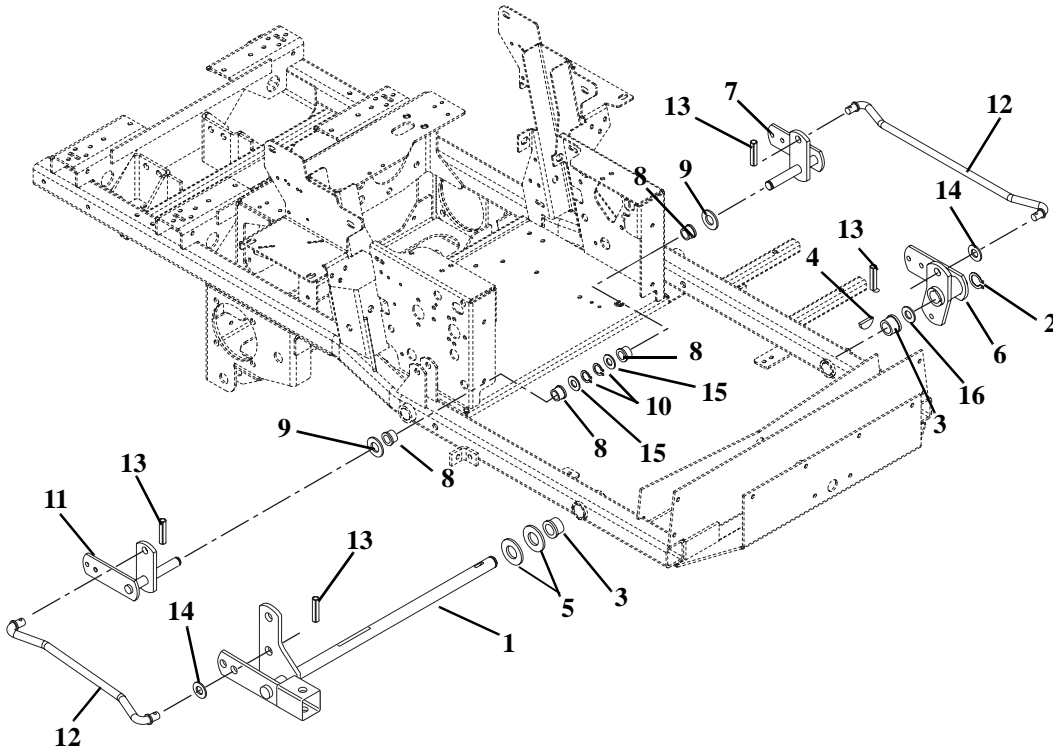


PD0590

Item	Part No.	Qty.	Description
1	00453851	1	Panel-Control
2	06116700	5	Screw-Machine 10-24 x .50 Hex Washer Head
3	06900029	1	Throttle, Control
4	06536000	2	Nut-Locking-Nylon 10-24 With Insert
5	05947000	1	Bolt-Hex .31-18 x .75 Grade 5
6	06435700	1	Washer-Flat-Steel .38 x .875 x .083

HYDRAULIC DECK LIFT

Model 992316, 317, 321, 322

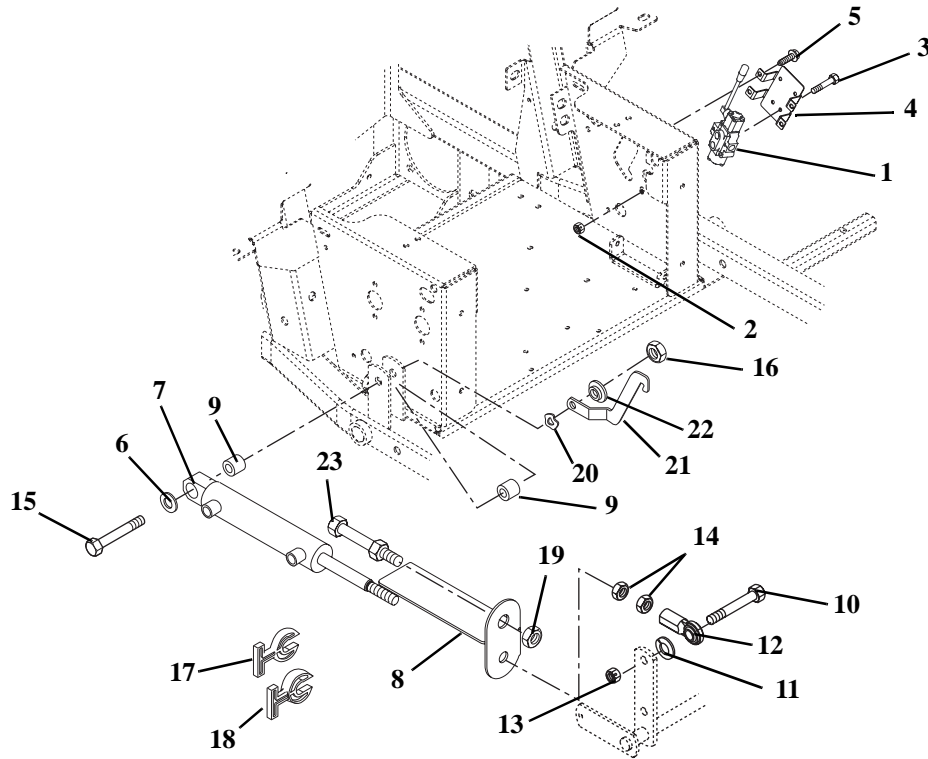


PD0581

Item	Part No.	Qty.	Description
1	00456000	1	Lift, Mower
2	05707300	1	Ring, Retaining External 1.00 x .078
3	05520100	2	Bushing, Flange 1.00 x 1.12 x .75 x 1.375
4	06608900	1	Key, Woodruff .25 x 1.00
5	06428500	2	Washer, Flat Steel 1.062 x 2.00 x .134
6	00441000	1	Weldment, Lift Arm-Front
7	00499200	1	Weldment, Rear Lift Arm-Left Hand
8	05518400	4	Bushing, Flange Nylon .762 x 1.0 x .58 x 1.48
9	06413400	2	Washer, Hardened Steel .758 x 1.23 x .031
10	05714600	2	Ring-Retaining-External .689 x .077
11	00499100	1	Weldment, Rear Lift Arm- Right Hand
12	00185800	2	Rod, Lift Assist 19.35"
13	05800001	4	Pin, Roll .25 x 1.25 Stainless Steel
14	06445100	2	Washer, Flat Steel .630 x 1.25 x .062
15	06444200	2	Washer, Flat Steel .755 x 1.25 x .125
16	06435300	1	Washer, Hardened Thrust 1.00 x 1.55 x .03

HYDRAULIC LIFT CYLINDER

Model 992316, 317, 321, 322

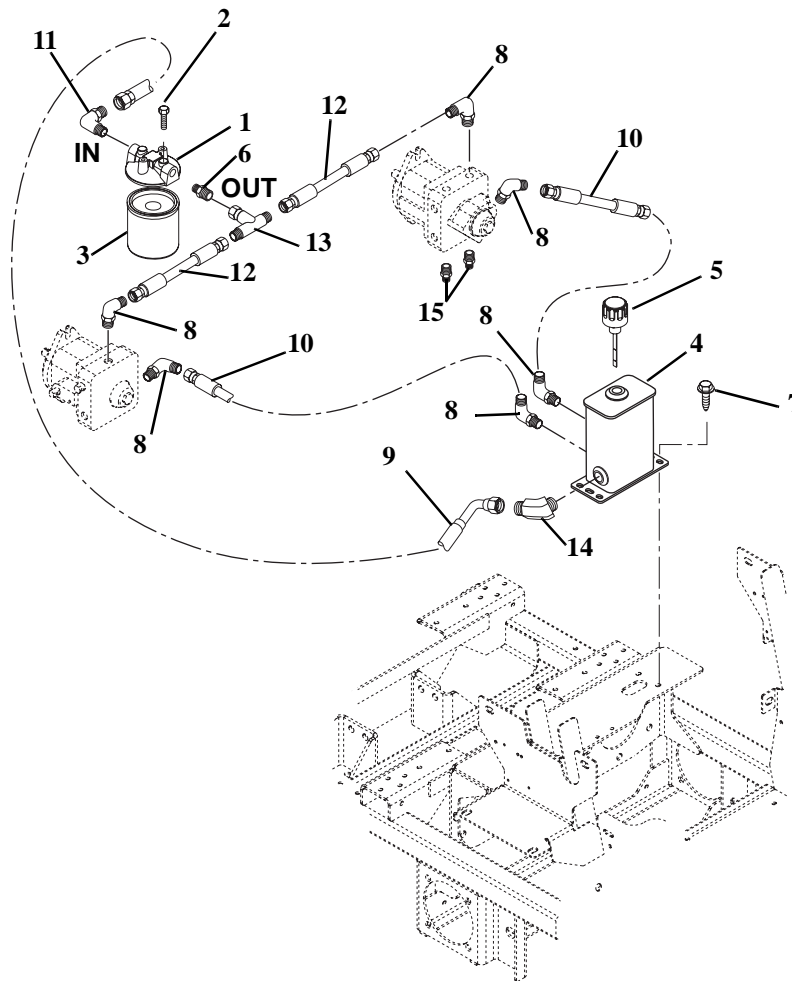


PD0610

Item	Part No.	Qty.	Description
1	09265100	1	Valve, Hydraulic
2	06543100	2	Nut, Locking Top Flange .31-18
3	05952600	2	Bolt, Hex .31-18 x 2.50 Grade 5
4	09290251	1	Bracket, Valve Mounting
5	07412900	3	Screw-Tapping .38-16 x .50 Hex Washer Head
6	06445000	1	Washer-Flat-Steel .515 x 1.625 x .25
7	09264800	1	Cylinder-Lift
8	00184551	1	Strap-Height of Cut Indicator
9	09215200	2	Bushing .516 x 1.00 x 1.05
10	05930700	1	Bolt-Hex .62-11 x 2.25 Grade 8
11	06309500	1	Washer-Lock .62 x .156
12	09221600	1	Rod End-Right Hand-Female .625
13	06535300	1	Nut-Locking-Center .62-11
14	06539600	2	Nut-Jam .625-18
15	05960100	1	Bolt-Hex .50-13 x 3.75 Grade 5
16	06543600	1	Nut, Locking Top Flange .50-13
17	09212200	6	Stop, Cylinder .34 Thick
18	09212300	6	Stop, Cylinder .68 Thick
19	06539900	1	Nut, Jam .75-16
20	09252000	1	Washer, Wave .076 x 1.12 x .08
21	09293200	1	Latch, Floor Board
22	05532100	1	Bushing-Flange .515 x .75 x .275 x 1.12
23	09260800	1	Post

HYDRAULIC TANK, FILTER, PUMPS, & HOSES

Model 992316, 317, 321, 322

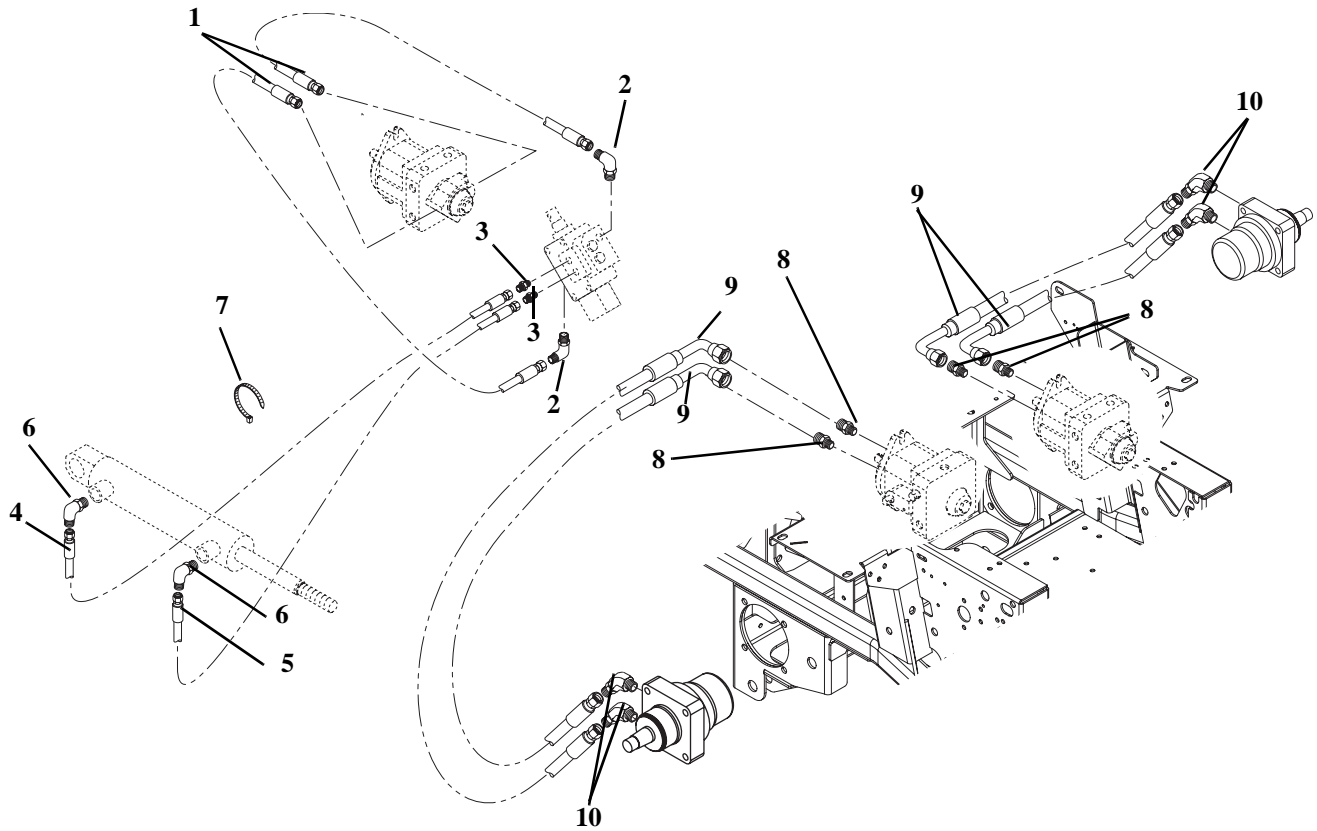


PD0621

Item	Part No.	Qty.	Description
1	09419900	1	Filter Housing
2	05900008	2	Bolt-Hex .25-20 x .50 Grade 5 Epoxy
3	09414200	1	Filter Element
4	00161051	1	Body, Hydraulic Tank
5	00463000	1	Breather, Dipstick
6	07069800	1	Fitting, Hydraulic, Straight Steel
7	07415400	2	Screw-Tapping .38-16 x .75 Hex Washer Head
8	07069600	6	Fitting, Hydraulic, 90 Degree Elbow
9	00364600	1	Hose-Hydraulic Valve to Tank
10	00364500	2	Hose, Hydraulic, 10-inch
11	07069700	1	Fitting, Hydraulic, 90 Degree Elbow
12	00364400	2	Hose, Hydraulic .50, 5-Inch
13	07069400	1	Fitting, Hydraulic Tee
14	07066200	1	Fitting, Hydraulic .45 Degree Elbow
15	07063700	2	Fitting, Hydraulic (4 F5OLO)

HOSE ROUTING FOR PUMPS, WHEEL MOTORS & CYLINDER

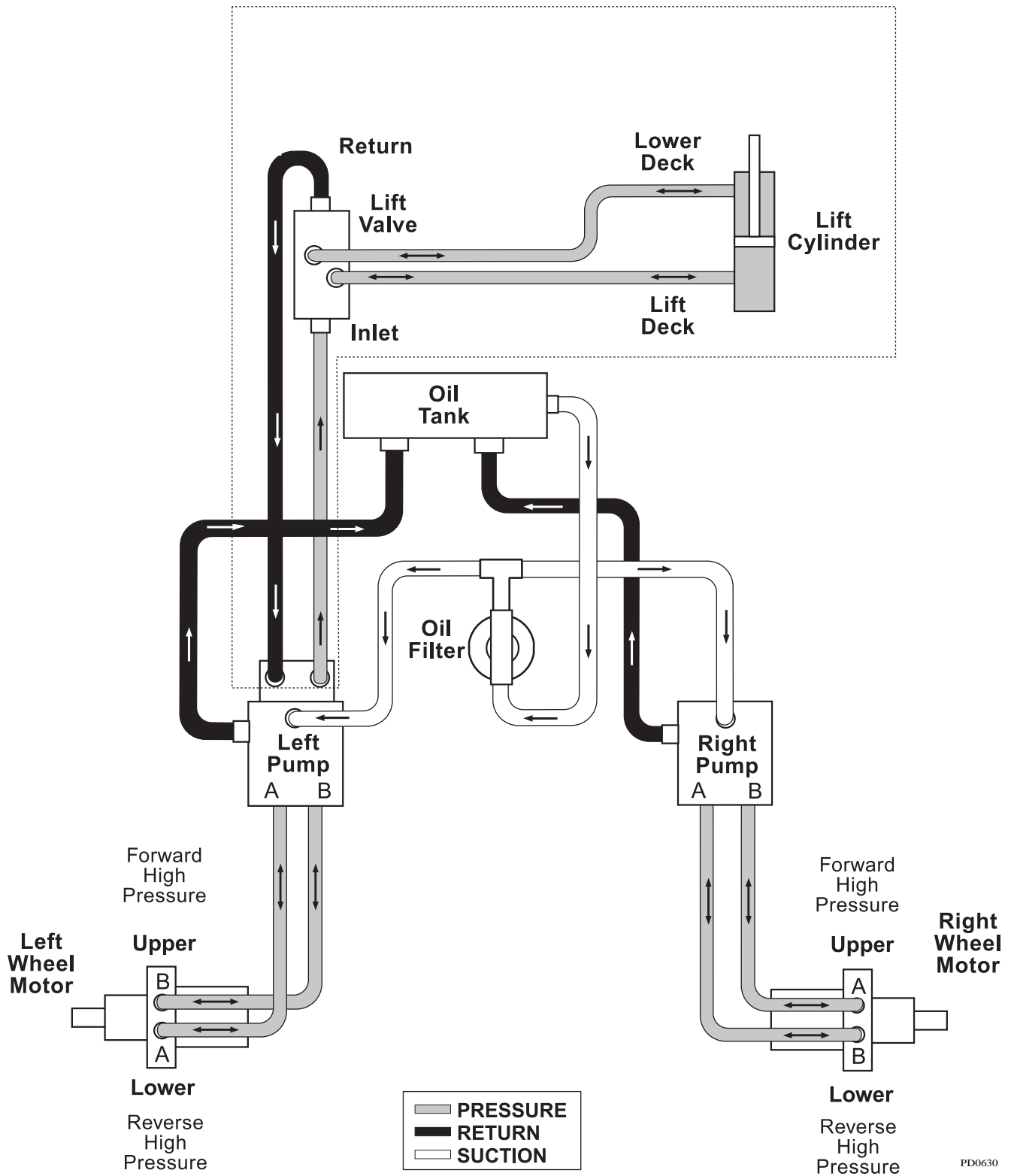
Model 992316, 317, 321, 322



Item	Part No.	Qty.	Description
1	09275500	2	Hose, Hydraulic
2	07061600	2	Hydraulic, Fitting Elbow
3	07063800	2	Adapter
4	09275400	1	Hose, Hydraulic
5	09275600	1	Hose, Hydraulic
6	07063900	2	Fitting, Hydraulic
7	07517300	2	Cable Tie
8	07059900	4	Adapter, Face Seal 8 x 8 .50 O-Ring
9	09269600	4	Hose, Hydraulic .50
10	07063500	4	Adapter-Hydraulic Steel .875 to .75

HYDRAULIC DIAGRAM

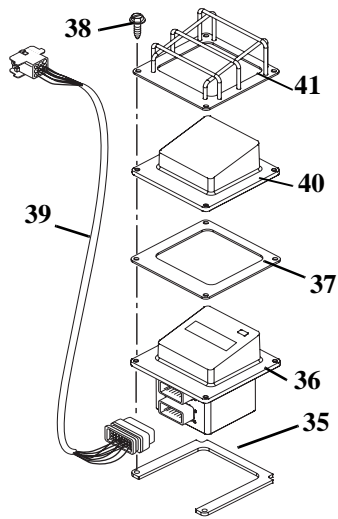
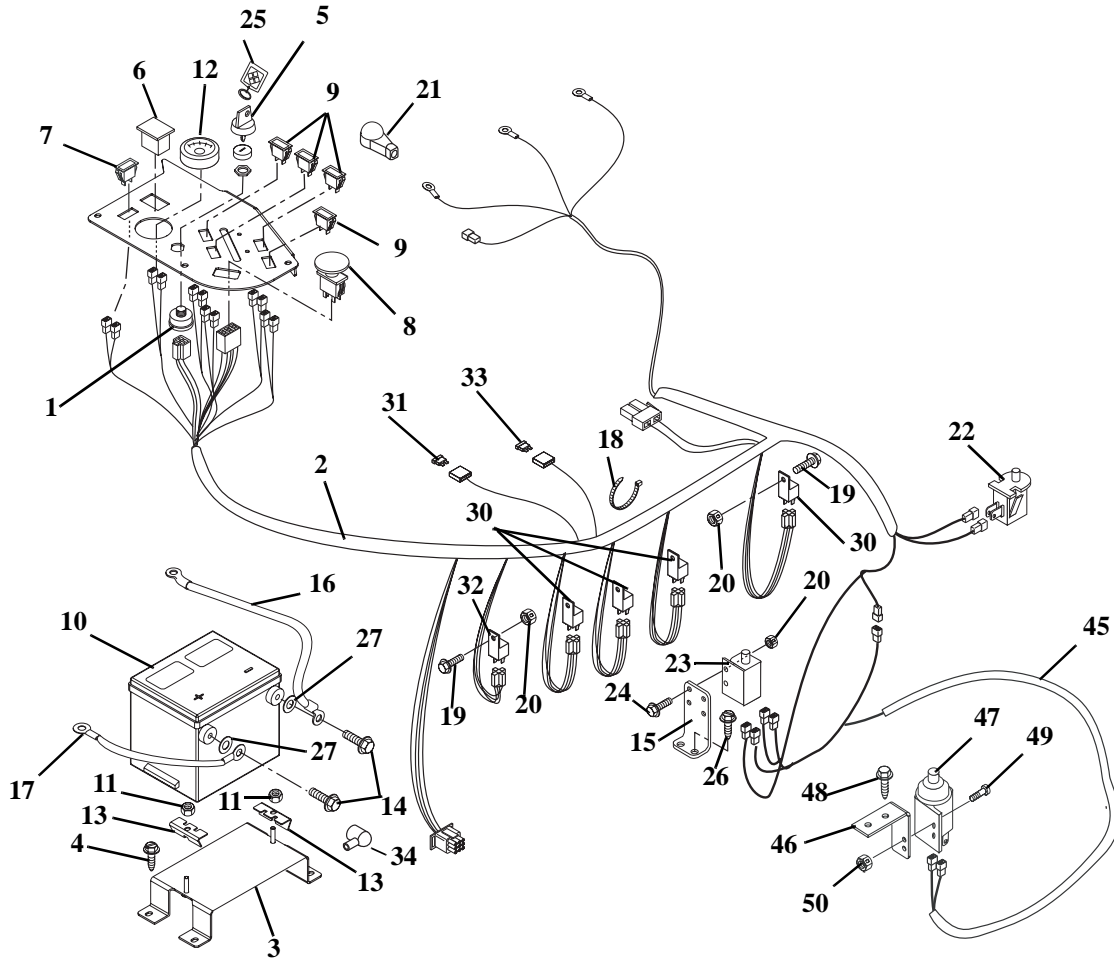
Model 992316, 317, 321, 322



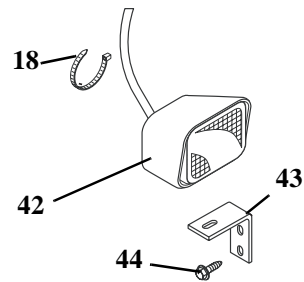
PD0630

ELECTRICAL SYSTEM

Model 992316, 317, 321, 322



Eye-Q



Headlight

PD0640

ELECTRICAL SYSTEM

Model 992316, 317, 321, 322

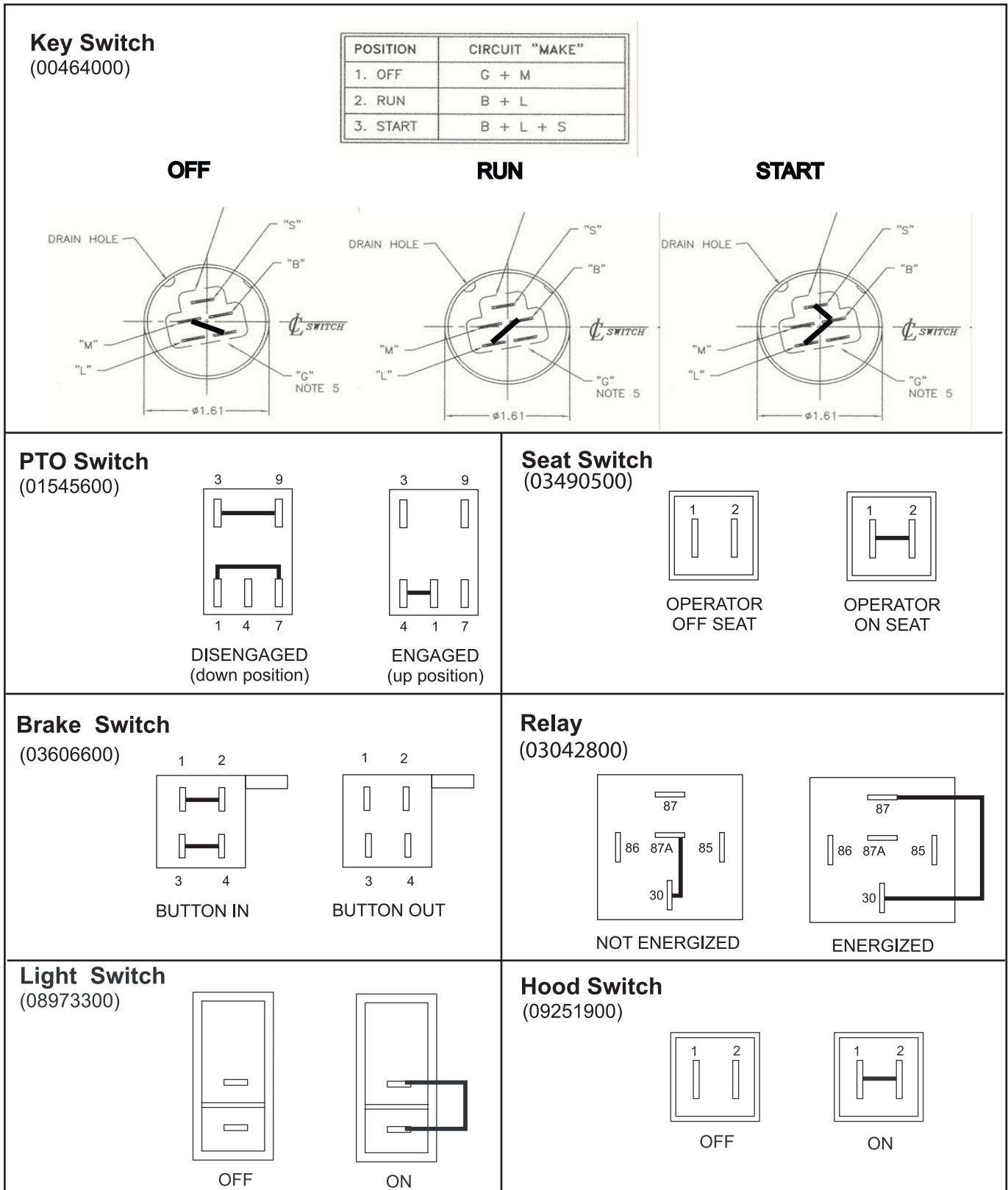
Item	Part No.	Qty.	Description
1	00464000	1	Switch, Ignition
2	00449800	1	Harness, Wiring
3	09266551	1	Weldment, Battery Support
4	07415400	4	Screw-Tapping .38-16 x .75 Hex Washer Head
5	09287000	AR	Key-with Cap
	21510400	AR	Ignition Key Set
6	00456600	1	Hour Meter
7	08973300	1	Switch, Light
8	01545600	1	Switch-Clutch With Retainer Ring
9	08841200	4	Light-Indicator
10	00525500	1	Battery with Tube
11	06543100	2	Nut-Locking-Top-Flange .31-18
12	09080200	1	Gauge, Temperature
13	09266600	2	Bracket, Battery Hold-Down
14	00526400	2	Bolt-Hex .25-20 x .75 Grade 5
15	09275851	1	Mount, Safety Switch
16	09412100	1	Positive Cable
17	09278100	1	Cable, Negative Battery
18	07517300	3	Cable Tie
19	06116900	6	Screw-Machine 10-24 x .75 Hex Washer Head
20	06536000	8	Nut-Locking-Nylon 10-24 With Insert
21	07533200	1	Eyelet Terminal Boot
22	02754100	AR	Switch, Snap Mounting (N.O.) (Included with Seat)
23	03606600	1	Switch-Single Pole
24	06116900	2	Screw-Machine 10-24 x .75 Hex Washer Head
25	00457400	1	Key Chain
26	07412000	2	Screw-Tapping .25-20 x .50 Hex Washer Head
27	06435700	2	Washer-Flat-Steel .406 x 1.00 x .083
28	21542100	AR	Fuse, ATO 15 Amp
29	09293500	AR	Diode, Connector Shell
30	00432100	AR	Relay (Included with Harness)
31	21542000	AR	Fuse, ATO 30 Amp (Included with Harness)
32	NA		Pre-Heat Timer (Included with Engine)
33	21542200	1	Fuse, ATO 60 Amp (Included with Harness)
34	07533200	1	Boot, Eyelet Terminal
35	00252251	1	Spacer, Enclosure Mounting (Bottom)
36	00251600	1	Assembly, Eye-Q
37	05600006	1	Gasket, Eye-Q
38	06100002	4	Screw, Machine 10-24 x 1.0 Slotted Pan Black
39	00288900	1	Harness Jumper (Eye-Q)
40	00353900	1	Guard, Element
41	00270300	1	Guard, Vinyl Eye-Q
42	02463600	2	Headlight
43	09287551	2	Bracket, Headlight Mounting
44	07412900	4	Screw, Tapping, .38-16 x .50 Hex Washer Head
45	09281000	1	Harness, Wire Adapter, CE
46	09251253	1	Switch, Mount
47	09251900	1	Switch, Single Pole (N.O.) with Cover
48	07411500	2	Screw, Tapping .31-18 x .50 Hex Washer Head
49	06116900	2	Screw, Machine 10-24 x .75 Hex Washer Head
50	06536000	2	Nut, Locking, Nylon 10-24 with Insert

CONTINUITY DIAGRAM

Model 992316, 317, 321, 322

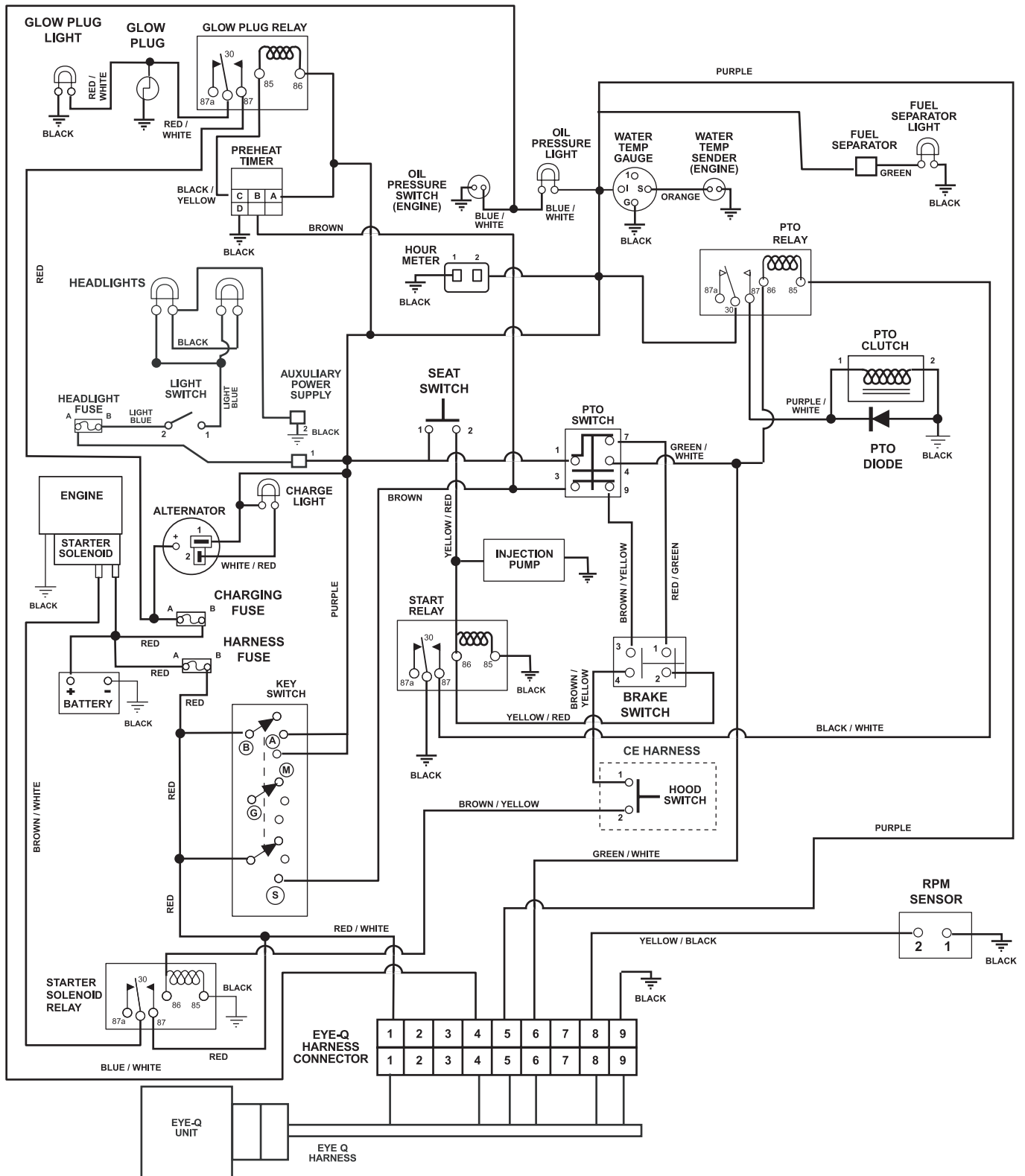
The diagrams below show the various states of connection for electrical components.
The solid lines on switches show continuity.

NOTE: All switches are viewed from the rear.



WIRING DIAGRAM

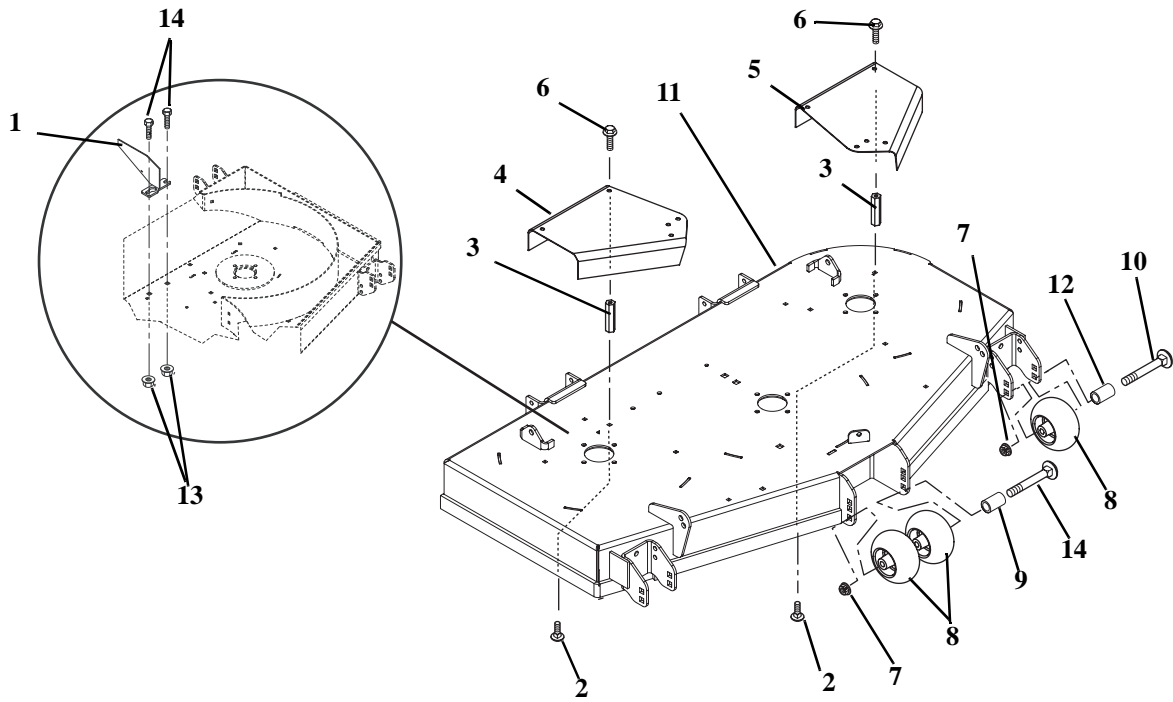
Model 992316, 317, 321, 322



PDU601

DECK, ANTI-SCALP ROLLERS, & BELT COVERS

Model 992316, 317, 321, 322



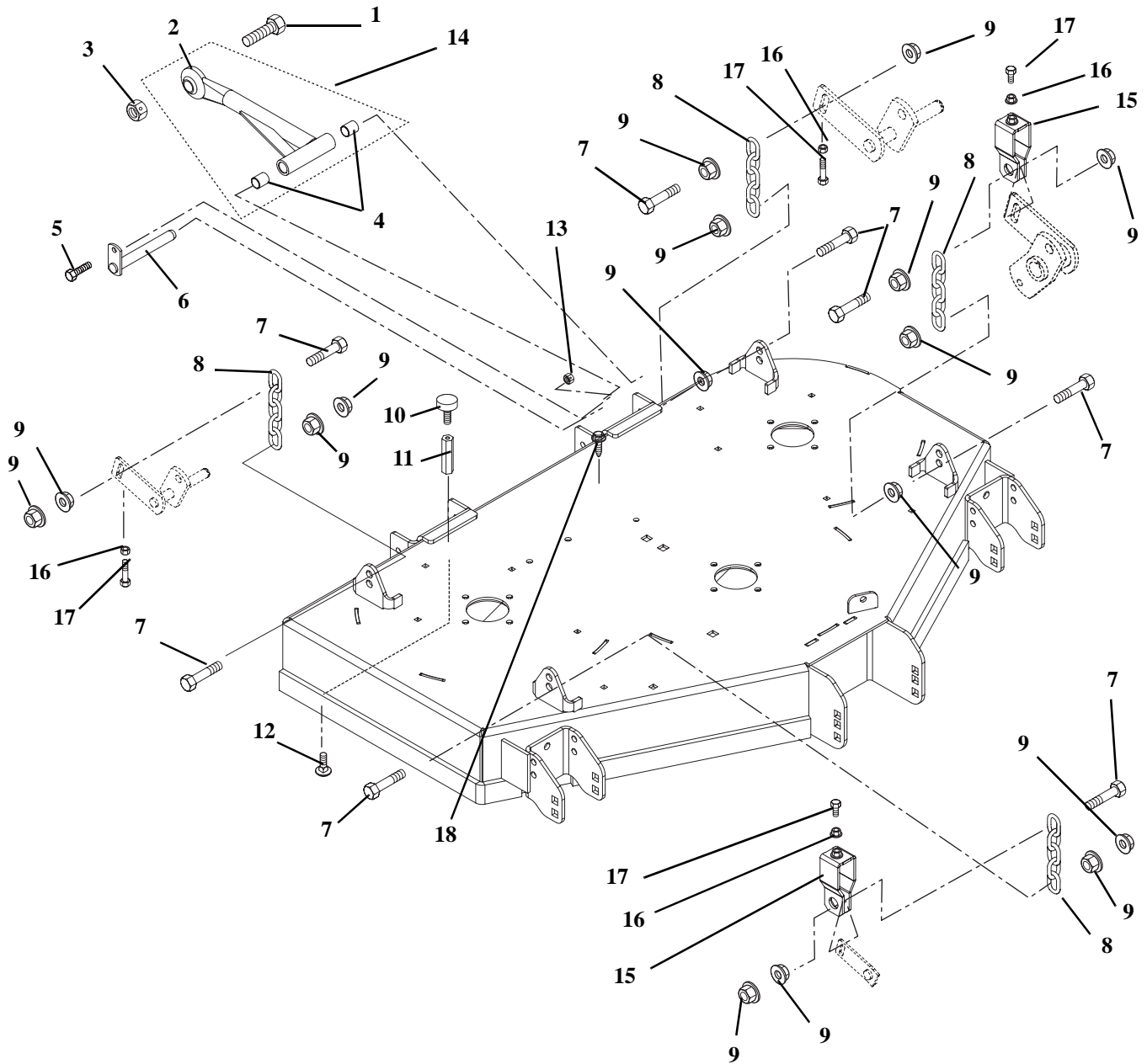
DECK, ANTI-SCALP ROLLERS, & BELT COVERS

Model 992316, 317, 321, 322

Item	Part No.	Qty.	Description
1	00502453	1	Rear Deflector Baffle
2	06200002	6	Bolt, Round Head Square Neck .31-18 x .75 Loctite with Epoxy Patch
3	07000027	6	Nut, Coupling .31-18 x 3.00
4	00439453	1	52-in. Right Hand Spindle Guard (992322)
	00370653	1	60-in. Right Hand Spindle Guard (992316, 317)
	00378053	1	72-in. Right Hand Spindle Guard(992321)
5	00438953	1	52-in. Left Hand Spindle Guard(992322)
	00371453	1	60-in. Left Hand Spindle Guard (992316, 317)
	00377953	1	72-in. Left Hand Spindle Guard (992321)
6	07000018	6	Bolt, SEMS .31-18 x .62
7	06500010	5	Nut .50-13 Nyloc Flange
8	00473600	6	Anti-Scalp Wheel
9	00473800	1	Spacer
10	06225900	4	Bolt-Round Head Square Neck .50-13 x 5.00
11	00483553	1	52-in. Mower Deck (992322)
	00481953	1	60-in. Mower Deck (992316, 317)
	00583053	1	72-in. Mower Deck (992321)
12	00473700	4	Spacer, .510 x .625 x 3.35
13	06545500	2	Nut, .38-16 Nyloc Flange
14	06212000	2	Bolt, Round Head Square Neck, 3/8-16 x 1.00

MOUNTING ARMS, LINK CHAINS, & DECK BUMPERS

Model 992316, 317, 321, 322



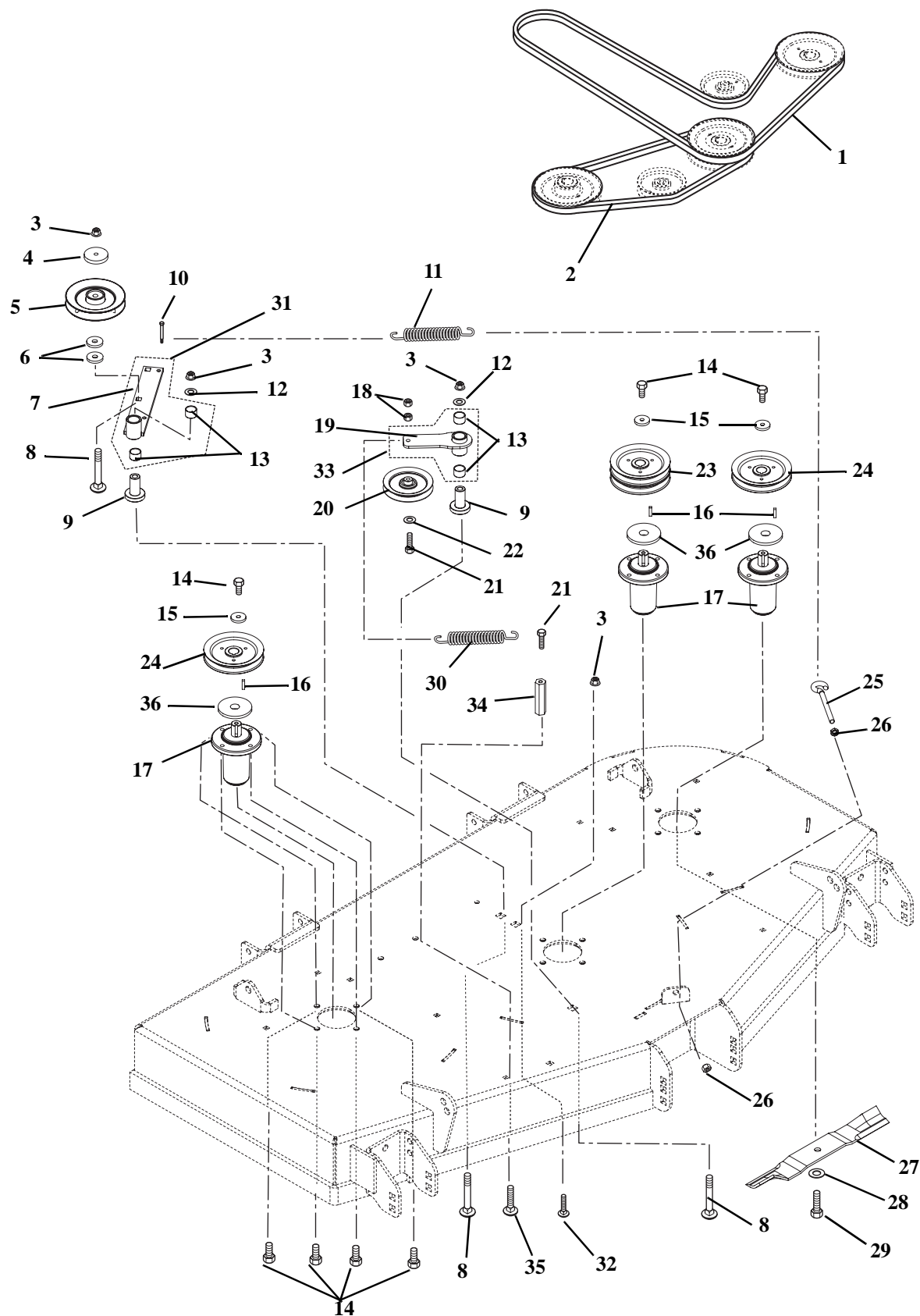
MOUNTING ARMS, LINK CHAINS, & DECK BUMPERS

Model 992316, 317, 321, 322

Item	Part No.	Qty.	Description
1	05969500	2	Bolt, Hex .875-9 x 2.75 Grade 5
2	00439051	AR	Mower Mounting Arm Weldment
3	06539700	2	Nut, Locking-Center .875-9
4	05435900	AR	Bearing, .75 x .875 x 1.00
5	05959400	2	Bolt, Hex .38-16 x .75 Grade 5
6	09238900	2	Weldment, Mower Mounting Pin
7	05900022	8	Bolt, Hex M12-1.75 x 50 Grade 5
8	09284700	4	Chain, Link
9	06500003	16	Nut, Spin Lock-Flange M12-1.75
10	07533600	2	Bumper, Rubber
11	07000027	2	Nut, Coupling .31-18 x 3.00
12	06200002	2	Bolt, Round Head Square Neck .31-18 x .75 Loctite with Epoxy Patch
13	06545500	2	Nut, .38-16 Nyloc Flange
14	00439200	2	Assembly, Mower Mounting Arm (Includes item # 2 and item # 4)
15	00442800	2	Bracket, Deck Leveling
16	06536100	4	Nut-Jam .312-18
17	05980900	4	Bolt, Hex .31-18 x 2.00 Full Thread
18	07412900	2	Screw, Tapping .38-16 x .50 Hex Washer Head Thread

BELTS, SPINDLES, IDLERS AND MOWER BLADES

Model 992316, 317, 321, 322



BELTS, SPINDLES, IDLERS AND MOWER BLADES

Model 992316, 317, 321, 322

Item	Part No.	Qty.	Description
1	07200027	1	Belt, 175" Long, PTO Drive Hex (992322)
	07200030	1	Belt, 184.4" Long, PTO Drive Hex (992316, 317)
	07200033	1	Belt, 199" Long, PTO Drive Hex (992321)
2	07200036	1	V-Belt, 56" Long Cog B-Section (992322)
	07200038	1	V-Belt, 63" Long Cog B-Section (992316, 317)
	07200039	1	V-Belt, 76" Long Cog B-Section (992321)
3	06500010	4	Nut, .50-13 Nyloc Flange
4	00450100	1	Cap, Idler Bearing Sealing
5	07328000	1	Pulley, V 6.0 x .500 ID DBL. Bearing
6	06445000	2	Washer, Flat Steel, .515 x 1.625 x .250
7	00368251	AR	Idler, Pivot Arm
8	06200003	3	Bolt, Round Head Square Neck .50-13 x 3.50
9	07000031	2	Bearing, Pedestal
10	07000034	1	Bolt, Shoulder EP .38-16 x .30 Hex
11	08300030	1	Spring, Extension (Deck Idler)
12	06430200	2	Washer, Flat Steel .531x 1.250 x .100
13	05435800	AR	Bearing, 1.00 x 1.12 x .75
14	05900013	15	Bolt, Hex .38-16 x 1.00
15	06400006	3	Washer, Flat Steel .406 x 1.50 x .245
16	06611200	3	Key, Square .25 x .25 x 1 RC 40-50
17	69219700	3	Spindle Assembly
18	06529600	2	Nut, Locking-Center .38-16
19	00345600	1	Idler, Pivot Arm
20	07300015	1	Sheave, .38" ID x 5" OD
21	05962900	2	Bolt, Hex .38-16 x 2.25
22	06436200	1	Washer, Flat Steel .406 x .812 x .065
23	07300020	1	Sheave, Double 1" ID x 6.00" OD (992322)
	07300021	1	Sheave, Double 1" ID x 6.75" OD (992316, 317)
	07300023	1	Sheave, Double 1" ID x 8.25" OD (992321)
24	07300019	2	Sheave, Single 1" ID x 6.00" OD (992322)
	07300022	2	Sheave, Single 1" ID x 6.75" OD (992316, 317)
	07300024	2	Sheave, Single 1" ID x 8.25" OD (992321)
25	07000030	1	Bolt, .38-16 x 4.50 .62 Diameter Eye
26	06535900	2	Nut, Hex, Jam .375-16
27	00273100	3	Blade, 18.00" Mower (HI-LIFT) (992322)
	08866900	3	Blade, Mower (20.50") (992316, 317)
	09290600	3	Blade, Mower (24.50") without Tungsten Carbide Hardfacing (992321)
28	06445700	3	Washer, Bellville .63 x 1.625 x .14
29	05978900	3	Bolt, Hex .62-18 x 1.75 Grade 8
30	08336000	1	Spring, Extension
31	00449000	1	Assembly, PTO Idler Pivot Arm (Includes item # 7 and item # 13)
32	06200006	1	Bolt, Round Head Square Neck .50-13 x 1.5, Full Thread, Grade 5
33	00349100	1	Assembly, Idler Pivot Arm (Includes item # 13 and item # 19)
34	06533500	1	Nut, Coupling .375-16 x 1.75
35	06212000	1	Bolt, Round Head Square Neck .38-16 x 1.00
36	09238200	AR	Slinger, Dust



Ariens Company
655 West Ryan Street
P.O. Box 157
Brillion, WI 54110-0157
920-756-2141
Fax 920-756-2407
www.ariens.com