

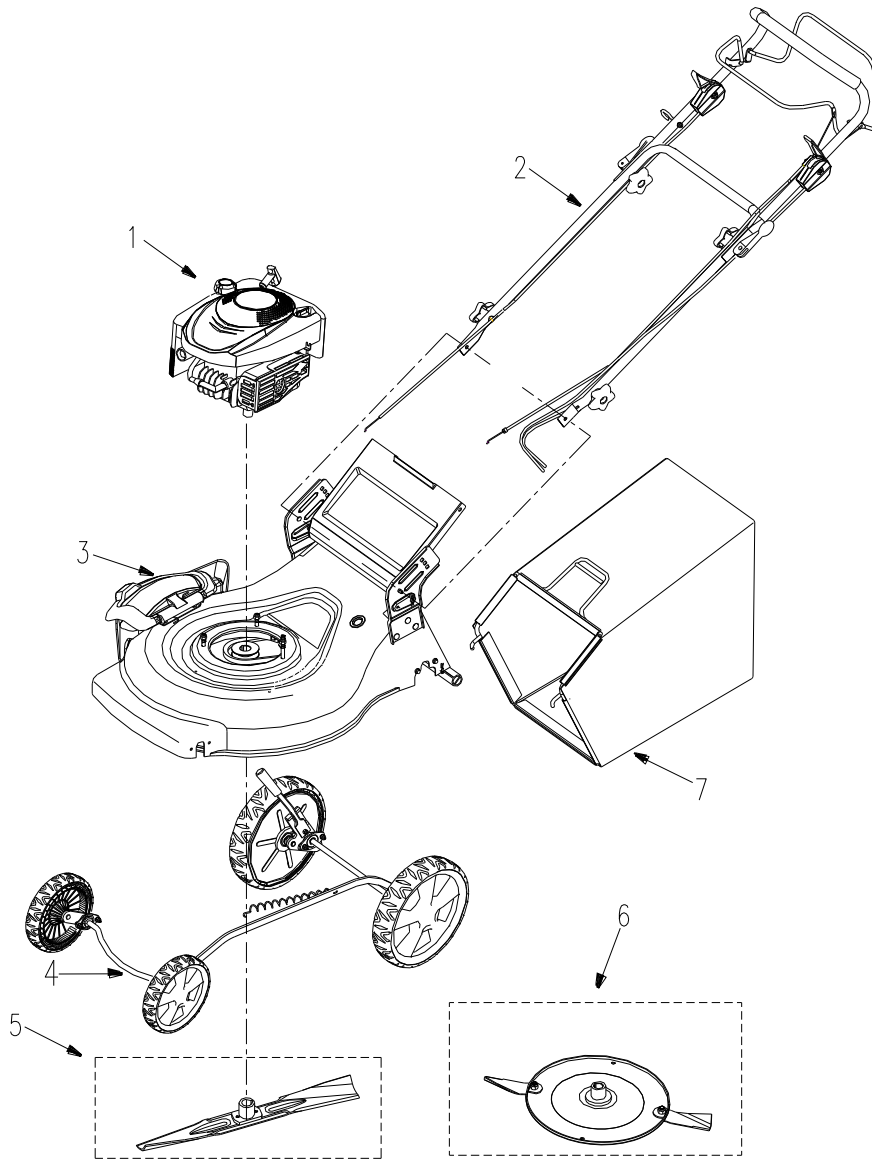


| | |
|---------------------------|----|
| MOWER ASSEMBLY | 1 |
| HANDLEBAR & CONSOLE | 2 |
| MOWER DECK ASSEMBLY | 4 |
| DRIVE ASSEMBLY | 6 |
| BLADE ASSEMBLY | 8 |
| GRASS BAG ASSEMBLY | 10 |



沃得集团
WORLD GROUP

MOWER ASSEMBLY

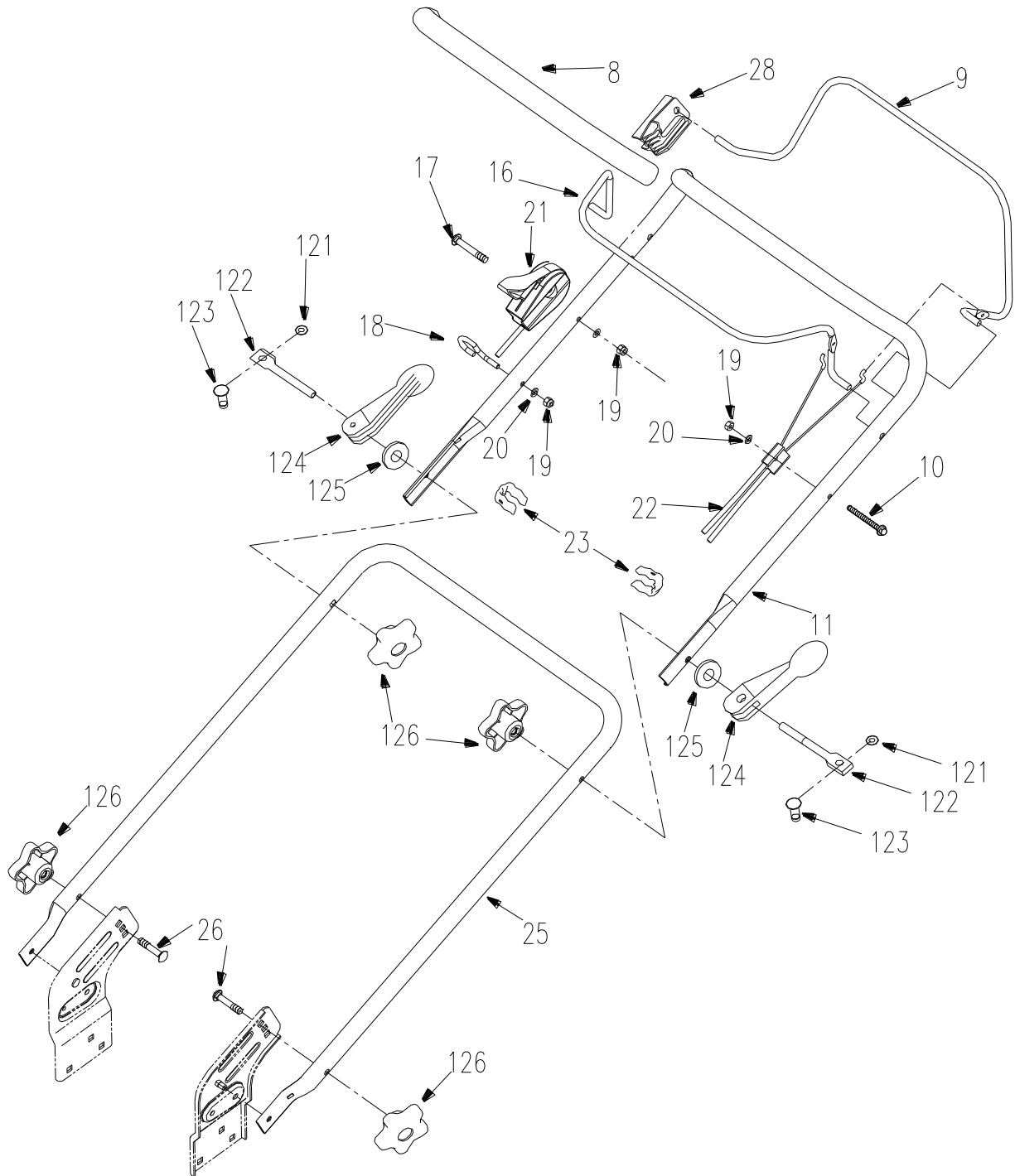


| REF NO. | PART NO. | DESCRIPTION | WYZ22H2-**-A*1 | WYZ22H2-**-B*1 |
|---------|----------|----------------------|----------------|----------------|
| 1 | | Engine | | |
| 2 | | Handlebar & Console | | |
| 3 | | Mower Deck Assembly | | |
| 4 | | Drive Assembly | | |
| 5 | | Grass Bag Assembly | | |
| 6 | | Swing Blade Assembly | | |
| 7 | | Grass Bag Assembly | | |



沃得集团
WORLD GROUP

HANDLEBAR & CONSOLE



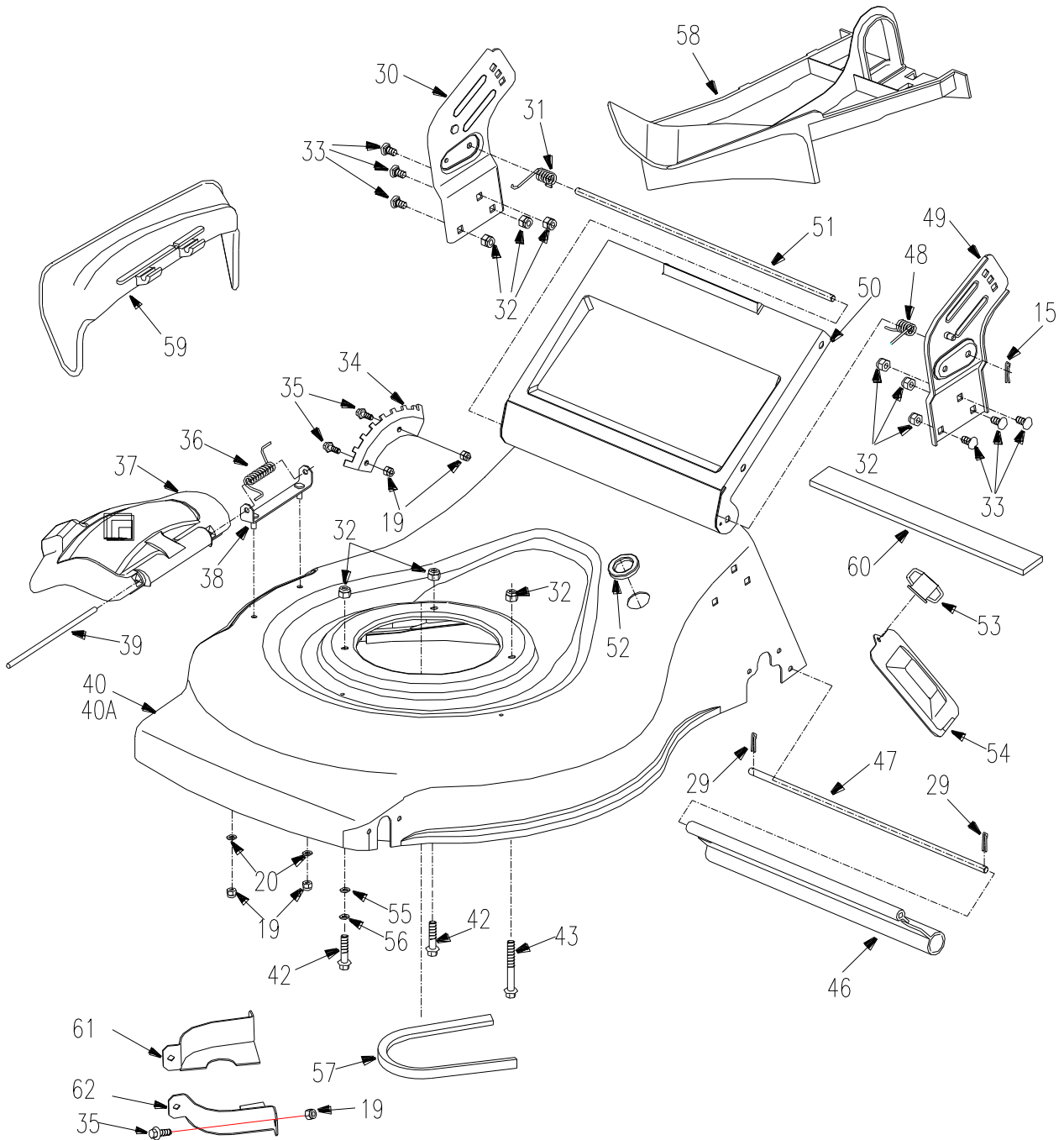


| REF NO. | PART NO. | DESCRIPTION | WYZ22H2-**-A*1 | WYZ22H2-**-B*1 |
|---------|-------------|-----------------------------|----------------|----------------|
| 8 | 2011307 | Handle Grip | | |
| 9 | 2203201 | Drive Clutch Lever | | |
| 10 | B5787-640 | Hex Hd. Flange Bolt M6x40mm | | |
| 11 | 2203031 | Upper Handle | | |
| 16 | 2203101 | Flywheel Brake Lever | | |
| 17 | B5787-650 | Hex Hd. Flange Bolt M6x50mm | | |
| 18 | WORD18.6-05 | Rope Guide | | |
| 19 | B6182-6 | Nylon Insert Lock Nut M6mm | | |
| 20 | B97.1-6 | Flat Washer 6mm | | |
| 21 | 2215500 | Throttle Control Assembly | | |
| 22 | 2203347 | Cable Unit | | |
| 23 | 2011031 | Cable clamp | | |
| 25 | 2203032 | Lower Handle | | |
| 26 | B801-840 | Square Neck Bolt M8×40mm | | |
| 28 | 2203003 | Bracket | | |
| 121 | B/T896-5 | E-Chip 5 | | |
| 122 | 2003021 | Screw | | |
| 123 | 2003023 | Axle Pin | | |
| 124 | 2003024 | Quick fix handle | | |
| 125 | 2003022 | Washer | | |
| 126 | XSZ56-1-09 | Knob nut M8 | | |



沃得集团
WORLD GROUP

MOWER DECK ASSEMBLY





沃得集团
WORLD GROUP

MOWER DECK ASSEMBLY

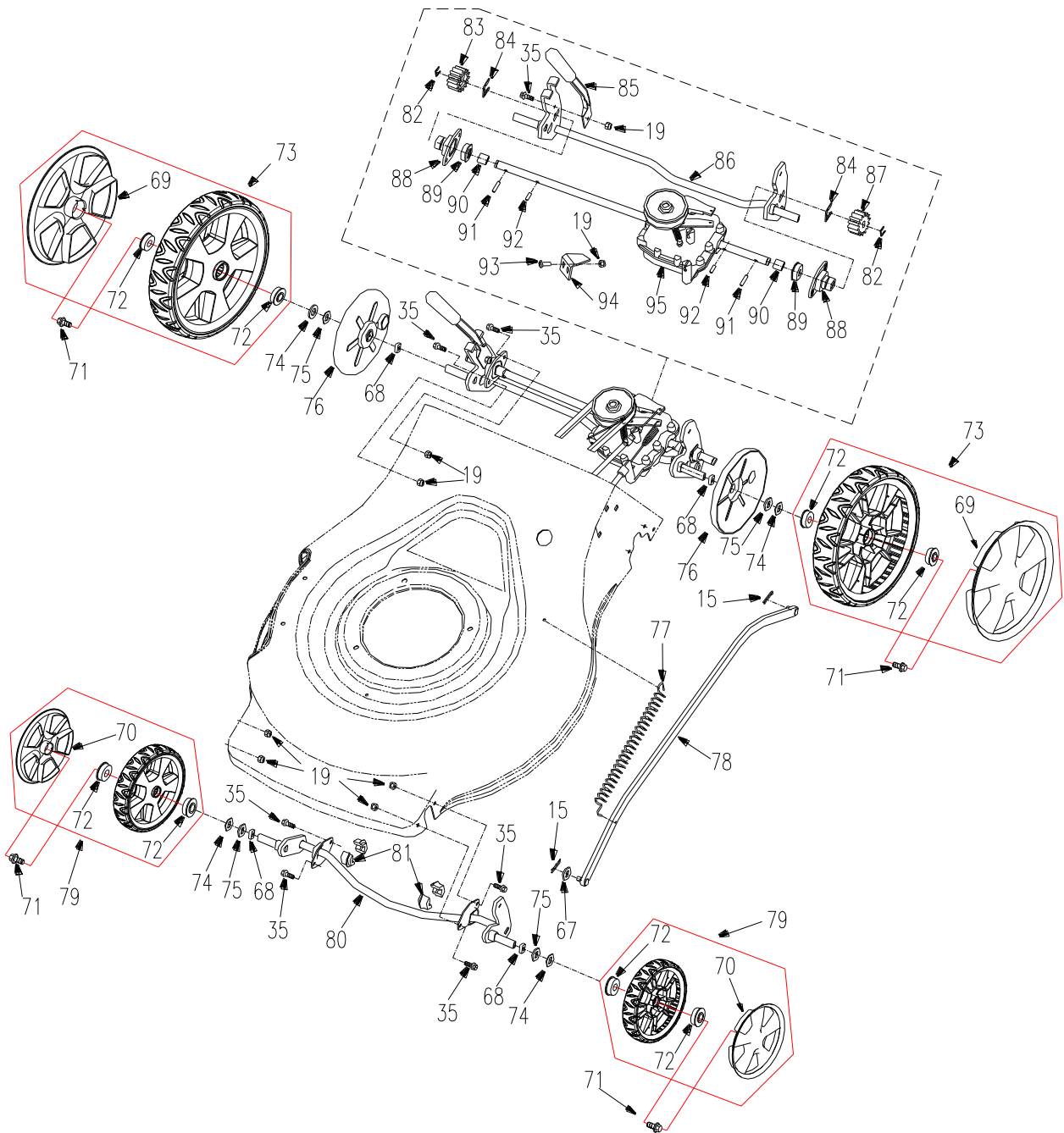
| REF | PART NO. | DESCRIPTION | WYZ22H2-**-A*1 | WYZ22H2-**-B*1 |
|-----|--------------|-----------------------------|----------------|----------------|
| 15 | XSZ56-1-17 | Hair Pin | | |
| 19 | B6182-6 | Nylon Insert Lock Nut M6mm | | |
| 20 | B97.1-6 | Flat Washer 6mm | | |
| 29 | B91-220 | Hair Pin | | |
| 30 | 2205000A | Right Bracket | | |
| 31 | 2200003A | Torsion Spring, Right | | |
| 32 | B6182-8 | Nylon Insert Lock Nut M8mm | | |
| 33 | B801-816 | Square Neck Bolt M8×16mm | | |
| 34 | 2200052A | Height Adjustment Rack | | |
| 35 | B5787-616 | Hex Hd. Flange Bolt M6x16mm | | |
| 36 | 2200021 | Torsion Spring | N | |
| 37 | 2200016 | Mulch Cover | N | |
| 38 | 2213000 | Mounting Bracket | N | |
| 39 | 2200019 | Pivot Shaft | N | |
| 40 | 2208040 | Mower Deck | N | |
| 40A | 2208045 | Mower Deck | | N |
| 42 | B5787-835 | Hex Hd. Flange Bolt M8x35mm | | |
| 43 | B5787-865 | Hex Hd. Flange Bolt M8x65mm | | |
| 46 | XSS46-15 | Rear Guard | | |
| 47 | 2200006 | Rod, Rear Guard | | |
| 48 | 2200002A | Torsion Spring, Left | | |
| 49 | 2204000A | Left Bracket | | |
| 50 | 2200004 | Rear Cover | | |
| 51 | 2200001A | Rod, Rear Cover | | |
| 52 | 4LZ2.16.4-04 | Rubber Ring | | |
| 53 | 2100012 | Wing nut | | |
| 54 | 2008011 | Baffle | | |
| 55 | B97.1-8 | Flat Washer 6 | | |
| 56 | B93-8 | Flat Washer 8 | | |
| 57 | 2200056 | V-belt A813 | | |
| 58 | 2200054 ★ | Mulching Plug | N | |
| 59 | 2200017 | Side Discharge Chute | N | |
| 60 | 2200036 | Rubber 3X25X360 | | |
| 61 | 2200058 | 右带轮罩焊合 | | |
| 62 | 2200057 | 左带轮罩焊合 | | |

Note: 1. “★” is an option to model WYZ22H-**-B*1



沃得集团
WORLD GROUP

DRIVE ASSEMBLY





沃得集团
WORLD GROUP

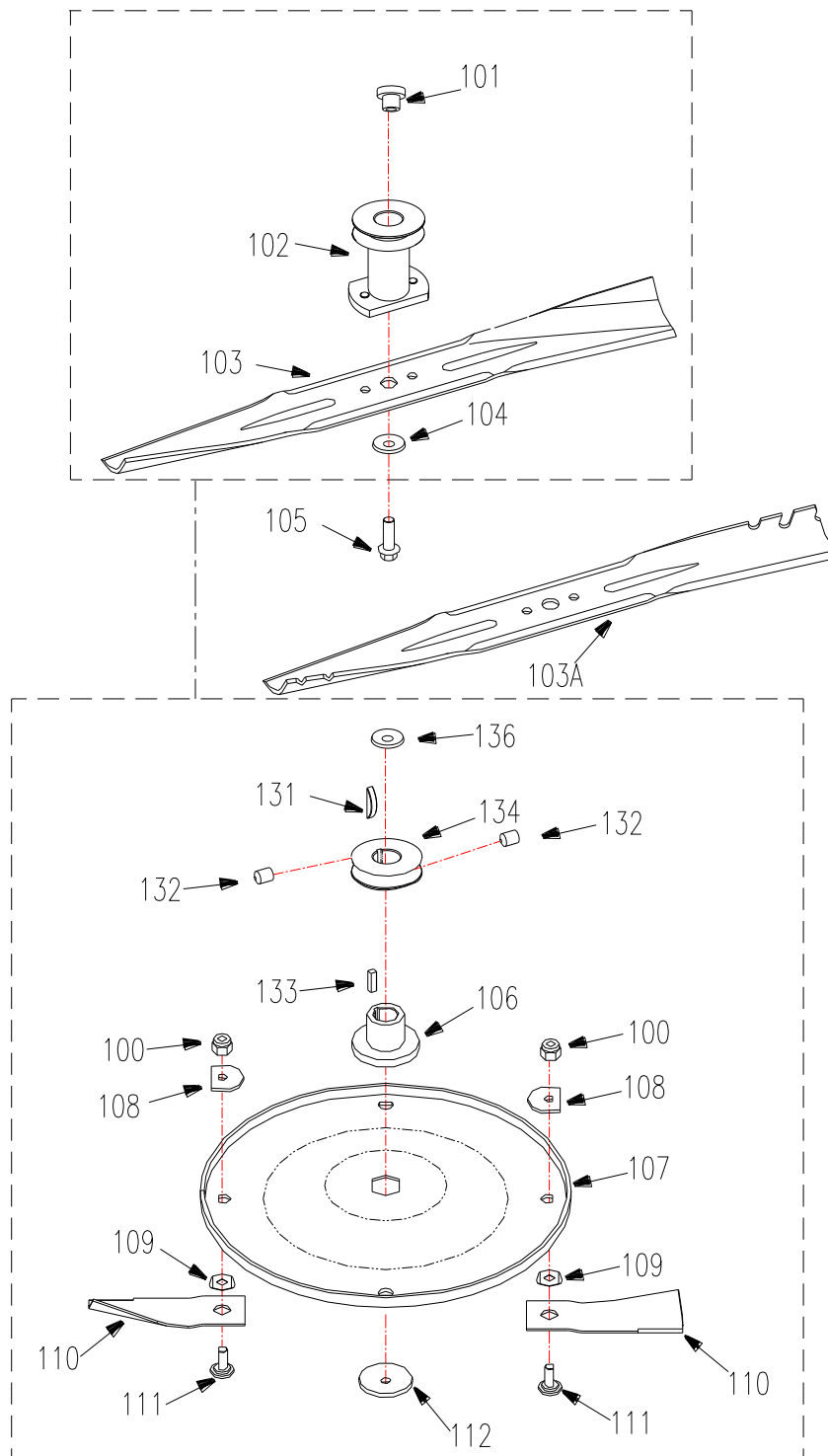
DRIVE ASSEMBLY

| REF NO. | PART NO. | DESCRIPTION | WYZ22H2-**-A*1 | WYZ22H2-**-B*1 |
|---------|------------|---------------------------------|----------------|----------------|
| 15 | XSZ56-1-17 | Hair Pin | | |
| 19 | B6182-6 | Nut M6mm | | |
| 35 | B5787-616 | Bolt M6x16mm | | |
| 67 | 2000086 | Spacer | | |
| 68 | 2007401 | Bushing | | |
| 69 | 01111 | Wheel cap | | |
| 70 | 00801 | Wheel cap | | |
| 71 | B5787-816 | Bolt M8x16mm | | |
| 72 | 2201002 | Wheel Bearing 1/2" | | |
| 73 | 01110 | 11"rear wheel | | |
| 74 | B97.1-12 | Flat Washer 12 mm | | |
| 75 | B955-12 | Wave Spring Washer | | |
| 76 | 0110001 | Cover | | |
| 77 | 2200053 | Tension spring | | |
| 78 | 2202030 | Haul Shank Seam | | |
| 79 | 00800 | 8"wheel | | |
| 80 | 2209030 | Front Shaft Assembly | | |
| 81 | WORD18-01 | Nylon Bearing | | |
| 82 | B896-9 | E-Clip 9mm | | |
| 83 | 2200033 | Pinion Gear, Right | | |
| 84 | XSZ56-2-06 | E-Clip 19mm | | |
| 85 | 2207200 | Cutting Height Adjustment Lever | | |
| 86 | 2207031A | Rear Axle Assembly | | |
| 87 | 2200032 | Pinion Gear, Left | | |
| 88 | 2207002 | Bearing Housing | | |
| 89 | 2207003 | Bearing | | |
| 90 | 2207001 | Bronze Bushing | | |
| 91 | XSZ56-2-08 | Roll Pin | | |
| 92 | B879-516 | Spring Pin 5x16mm | | |
| 93 | B818-614 | Phillips Pan Hd Screw M6x14mm | | |
| 94 | 2200055 | Anti Rotation Bracket | | |
| 95 | 2222000 | Transmission | | |



沃得集团
WORLD GROUP

BLADE ASSEMBLY





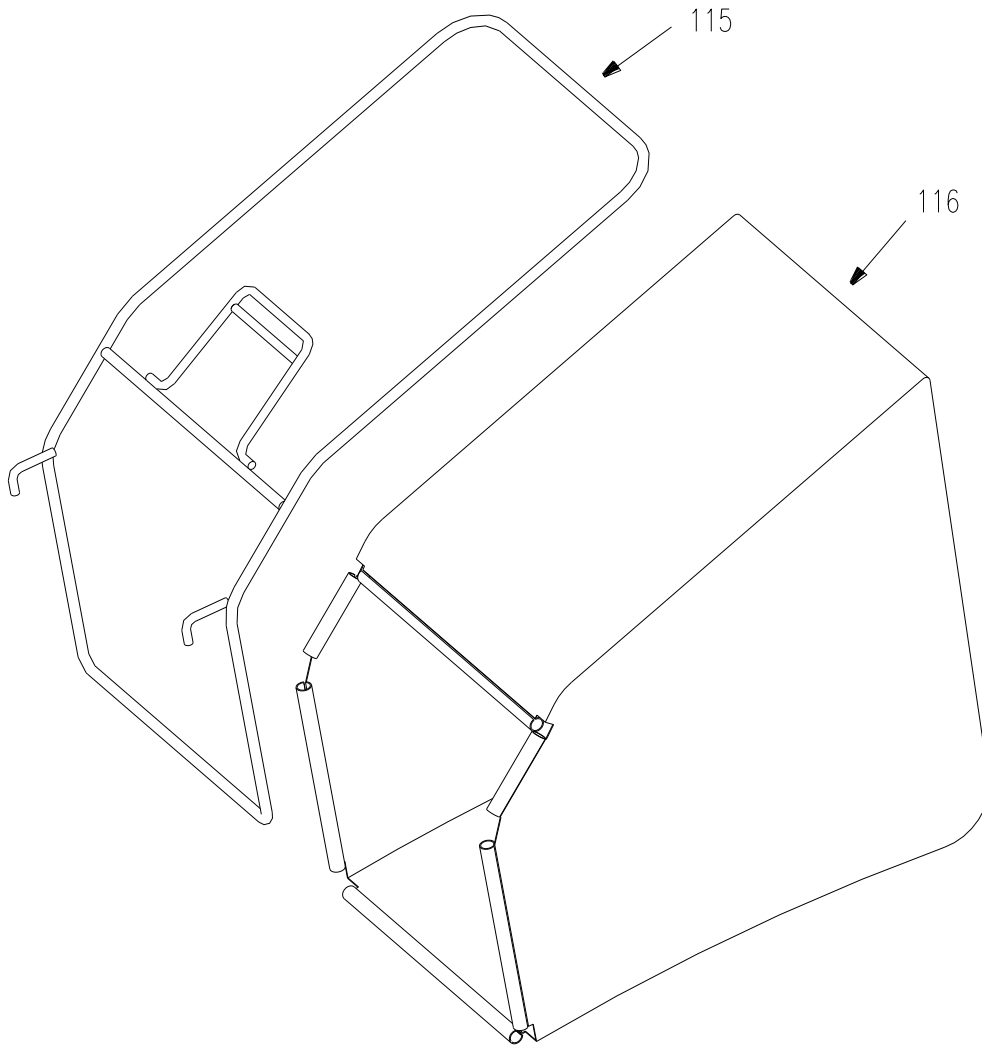
| REF NO. | PART NO. | DESCRIPTION | WYZ22H2-***-A*1 | WYZ22H2-***-B*1 |
|---------|----------------|-----------------------------|-----------------|-----------------|
| 100 | B6182-10 | Nylon Insert Lock Nut M10mm | | |
| 101 | 2019001 | Blade connect bush | | |
| 102 | 2200100 | Blade Adapter | | |
| 103 | 2200039 | Blade | | |
| 103A | 2200039B ★ | Mulching blade | | |
| 104 | XSZ56-2-17 | Blade Washer | | |
| 105 | 2200010 | Bolt | | |
| 106 | WORD22-2-01 | Blade Adapter | | |
| 107 | WORD22-2.8-01A | Blade Hub Weldment | | |
| 108 | WORD18.4-02 | Spacer | | |
| 109 | WORD18.4-03 | Saddle washer | | |
| 110 | WORD18.4-05 | Blade | | |
| 111 | WORD18.4-01 | Bolt M10 | | |
| 112 | WORD18-04 | Wing washer | | |
| 131 | XSZ56-2-20 | Woodruff key | | |
| 132 | B78-68 | Bolt M6x8 | | |
| 133 | XSZ56-2-18 | Square Key | | |
| 134 | XSZ56-2-22 | Pully | | |
| 136 | XSZ56-2-21 | Engine washer | | |

Note: 1. “★” is an option to ALL listed models.



沃得集团
WORLD GROUP

GRASS BAG ASSEMBLY



| REF NO. | PART NO. | DESCRIPTION | WYZ22H2-**-A*1 | WYZ22H2-**-B*1 |
|---------|----------|-------------|----------------|----------------|
| 115 | 2206100 | Bag Frame | | |
| 116 | 2206200 | Fabric Bag | | |