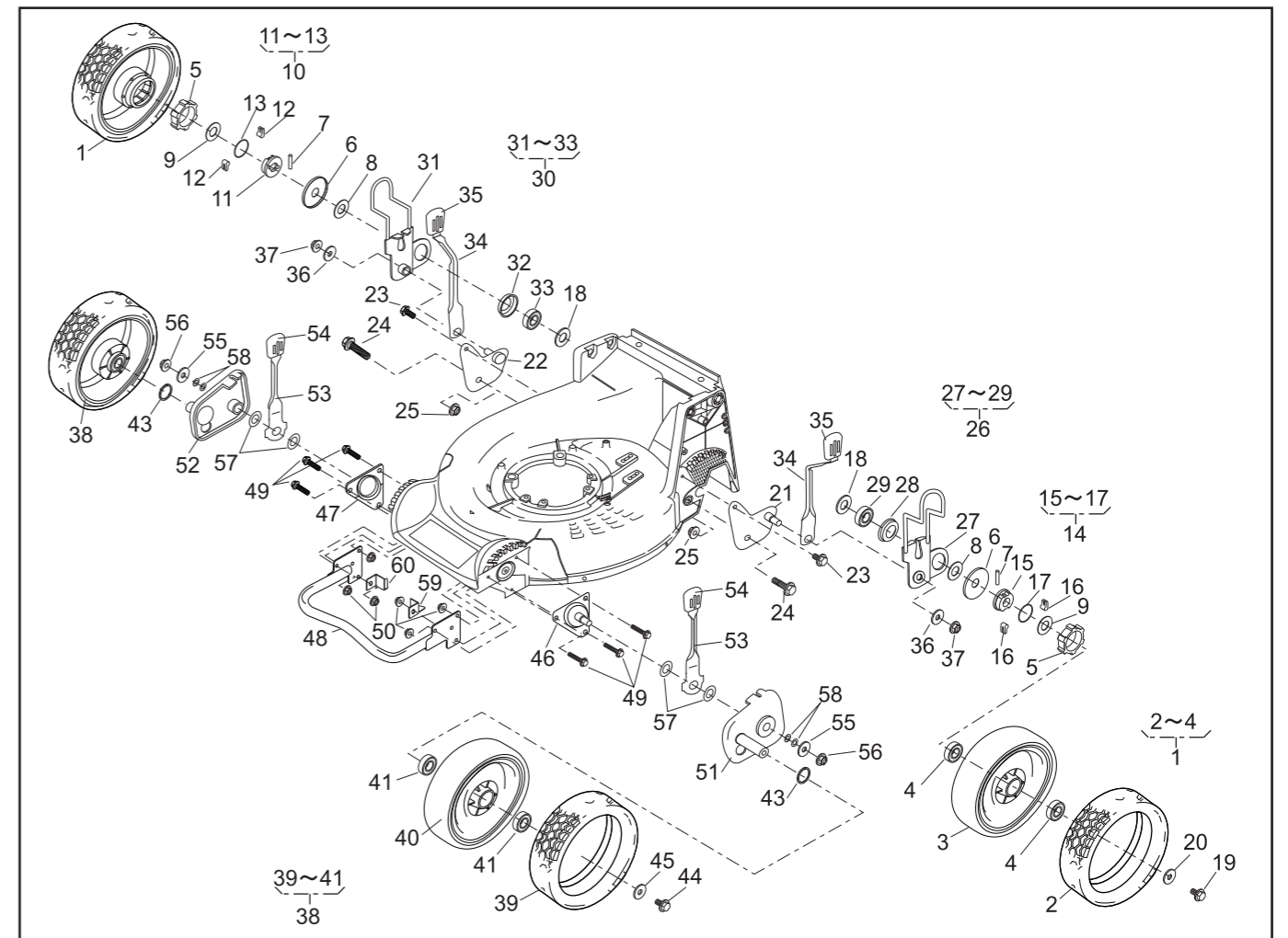


### PARTS LIST

P/L No. 46014-504-00

NOTE	REF. No.	PARTS No.	PARTS NAME	9.6"AI-WHEEL		PRICE( )	RECOMM.(%) Lot.100	REMARKS
				Q'TY	INCLUDING			
	1	71041   144	WHEEL ASSY(9.6"A.W.)	2				
	2	91086   116	TIRE	2				
	3		WHEEL	2				
	4	916B   6002	BEARING	4				
	5	11086   119	STOPPER	2				
	6	61003   112	THRUST PLATE	2				
	7	31034   137	PIN	2				
	8	68036   270	WASHER	2				
	9	68036   146	WASHER	2				
	10	71158   101	RATCHET ASSY(R)	1				
	11	11102   138	HOLDER	1				
	12	31034   170	PIN	2				
	13	68013   266	SPRING	1				
	14	71158   102	RATCHET ASSY(L)	1				
	15	11102   138	HOLDER	1				
	16	31034   170	PIN	2				
	17	68013   266	SPRING	1				
	18	68036   275	WASHER	2				
	19	31057   181	HEXAGON BOLT	2				
	20	68036   101	WASHER	2				
	21	11006   151	STAY C.P.(RL)	1				
	22	11006   152	STAY C.P.(RR)	1				
	23	342L   0612	FLANGE BOLT TAPPING	2				
	24	31057   255	HEXAGON BOLT	2				
	25	584L   0800	U-FLANGE NUT	2				
	26	71122   110	ADJUSTER ASSY(L)	1				
	27	11142   125	ADJUSTER(RL)	1				
	28	11102   228	HOLDER	1				
	29	916B   6202	BEARING	1				
	30	71122   111	ADJUSTER ASSY(R)	1				



### PARTS LIST

P/L No. 46014-504-00

NOTE	REF. No.	PARTS No.	PARTS NAME	9.6"AI-WHEEL		PRICE( )	RECOMM.(%) Lot.100	REMARKS
				Q'TY	INCLUDING			
	31	11142   126	ADJUSTER(RR)	1				
	32	11102   228	HOLDER	1				
	33	916B   6202	BEARING	1				
	34	11150   105   09	ADJUST LEVER	2				
	35	36061   121	KNOB	2				
	36	613L   0800	WASHER	2				
	37	569L   0800	FLANGE NYLON NUT	2				
	38	71041   145	WHEEL ASSY(9.6"A.W.)	2				
	39	91086   116	TIRE	2				
	40		WHEEL	2				
	41	916B   6002	BEARING	4				
	42							
	43	51113   119	RING	2				
	44	31057   181	HEXAGON BOLT	2				
	45	68036   101	WASHER	2				
	46	11006   153	STAY C.P.(FL)	1				
	47	11006   154	STAY C.P.(FR)	1				
	48	11153   112	BUMPER	1				
	49	335L   0625	FLANGE BOLT	6				
	50	569L   0600	FLANGE NYLON NUT	6				
	51	11142   127	ADJUSTER(FL)	1				
	52	11142   128	ADJUSTER(FR)	1				
	53	11150   109   09	ADJUST LEVER	2				
	54	36061   121	KNOB	2				
	55	68036   101	WASHER	2				
	56	584L   0800	U-FLANGE NUT	2				
	57	68013   393	SPRING	4				
	58	68007   105	SHIM	0~4				
	59	11113   418	STAY(L)	1				
	60	11113   417	STAY(R)	1				