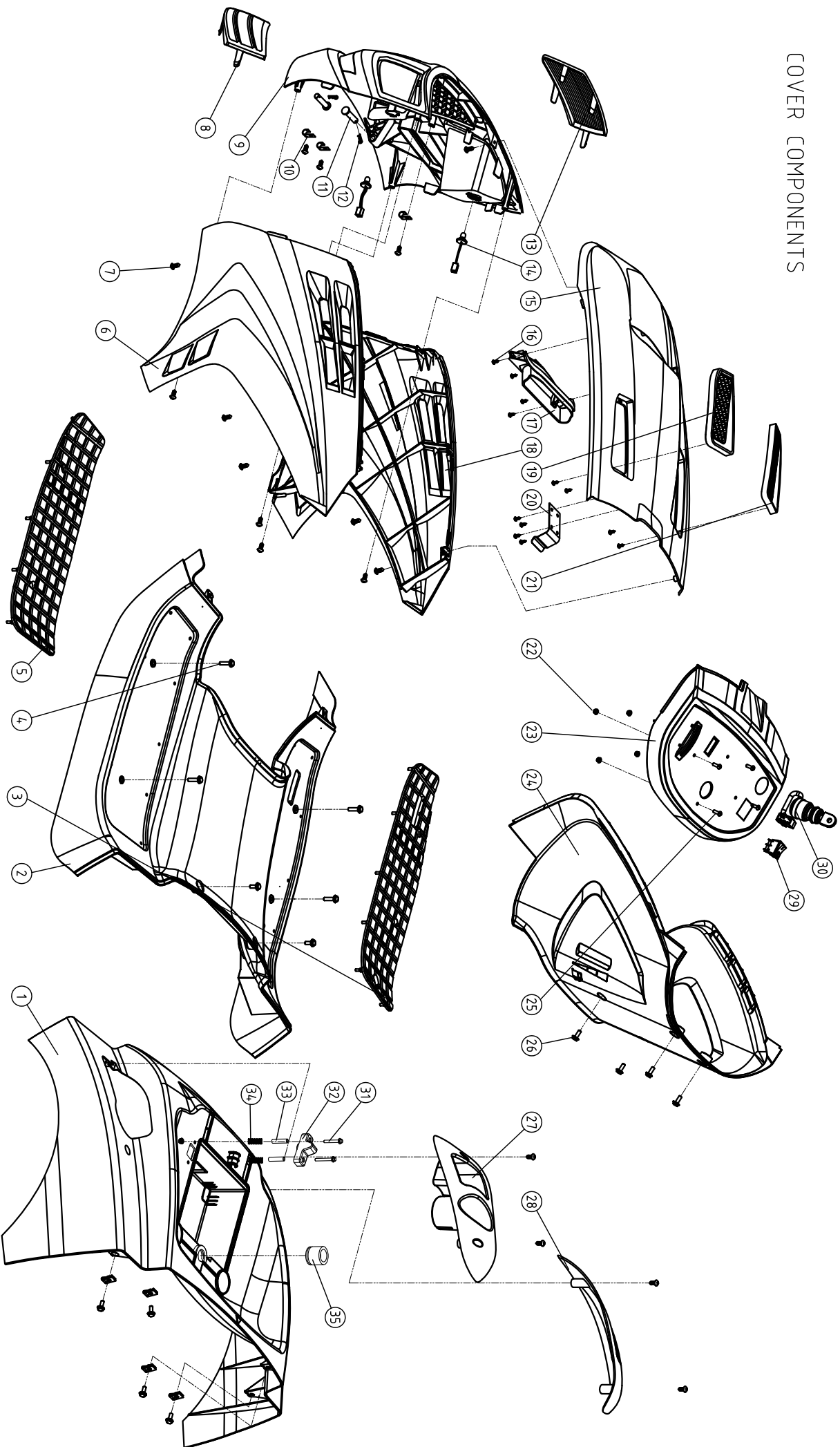


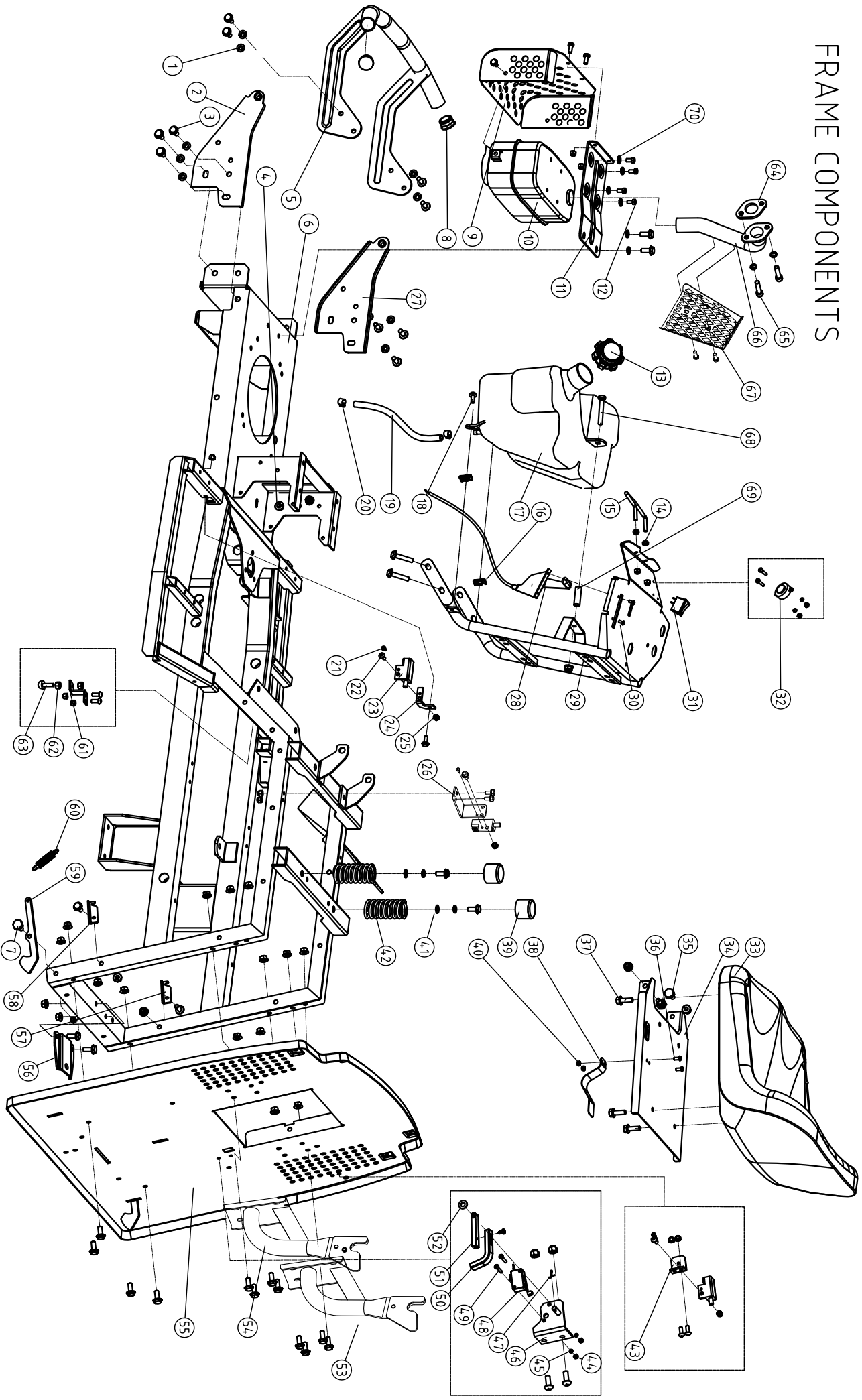
COVER COMPONENTS



COVER COMPONENTS

ITEM No.	PART NUMBER	DESCRIPTION	QTY	REMARKS
1	04.XCT102.1103020	Rear cover	1	102-6
2	04.XCT102.1203020	Bottom plate	1	102-8
3	04.07.02.01105	Right foot board	1	102-4
4	01.01.2451	Hexagon socket button head screws M6×25	4	GB/T70.2-2000
5	04.07.02.01005	Left foot board	1	102-3
6	04.XCT102.0403020	Left cover	1	102.01-1
7	01.01.1553	Screw ST4.8x13	20	GB 845-88
8	04.07.02.05208	Left light cover	1	102.01-4
9	04.07.01.00605	Front cover	1	102.01-9
10	06.06.573	Clamp	3	102.01-11
11	06.06.571	Pin	2	102-1
12	06.03.337	Hair pin cotter $\phi 2$	2	62.56.113
13	04.07.02.05408	Right light cover	1	102.01-6
14	02.33.56	Light	2	102.01.01
15	04.XCT102.0703020	Top cover	1	102.01-3
16	01.01.1303	Screw ST4.2x10	14	GB 845-88
17	04.XCT102.0907016	Front wind board	1	102.01-5
18	04.XCT102.0303020	Right cover	1	102.01-7
19	04.XCT102.0107016	Left wind board	1	102.01-2
20	06.06.572	Spring fastener	1	102.01-10
21	04.XCT102.0207016	Right wind board	1	102.01-8
22	01.03.0063	Hexagon lock nut M5	4	GB/T6183.1-2000
23	04.XCT102.0507016	Instrument board	1	102-2
24	04.XCT102.0807016	Shield	1	102-9
25	01.01.1061	Screw M5x16	4	GB/T818-2000
26	01.02.0054	Hexagon bolt M6x16	10	GB/T5789-2000
27	04.XCT102.1307016	Cup support	1	102-5
28	04.XCT102.0607016	Handle guide plate	1	102-7
29	02.05.81	Clutch switch	1	KCD2
30	02.05.67	Engine lock	1	62.48.019
31	01.02.0181	Hexagon bolt M6x45	2	GB/T5789-2000
32	04.XCT102.140000	Switch gland	1	XCT102-14
33	00.06.02.215	Guide sleeve	2	XCT102-12
34	00.06.02.216	Spring	2	XCT102-13
35	03.05.2.002	Rubber pad	1	62.44.103

FRAME COMPONENTS



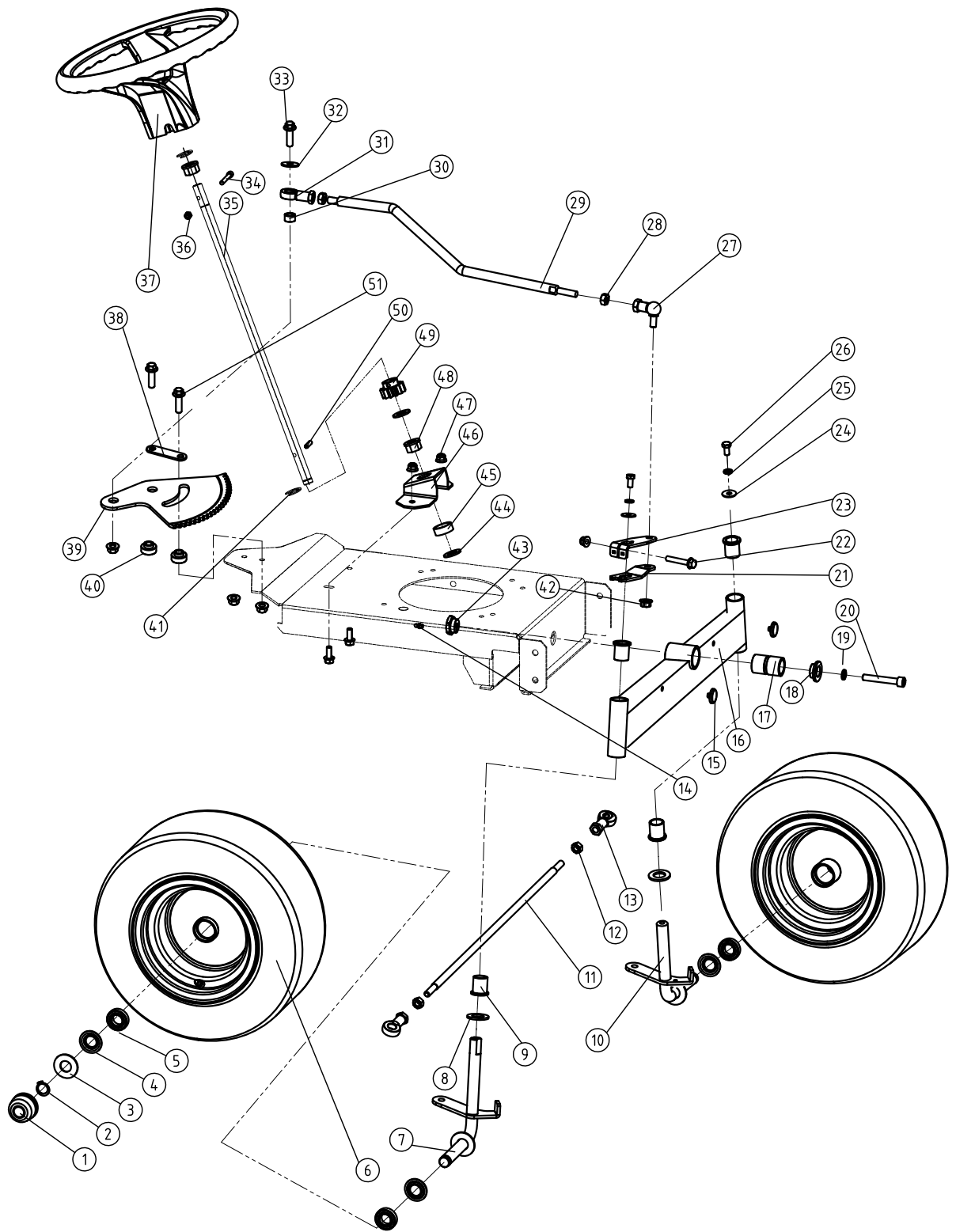
FRAME COMPONENTS

ITEM NO.	PART NUMBER	DRSCRIPTION	QTY	REMARKS
1	01.04.0181	Spring washer 8	16	GB/T93-87
2	06.06.640	Front cover bracket L	2	102.04.12
3	01.02.0433	Hexagon bolt M8x20	34	GB/T5783-2000
4	01.03.0093	Hexagon lock nut M8	22	GB/T6183.1-2000
5	06.06.615	Bumper	1	102.04.01
6	06.06.618	Frame weldment	1	102.04.02
7	06.06.460	Pin screw	2	62.70.106
8	04.07.02.06900	Bumper end lid	1	102.04-10
9	06.06.617	Muffler cover	1	102.04-2
10	06.06.708	Muffler	1	102.03.07.03
11	06.06.616	Muffler base	1	102.04-1
12	01.02.0551	Hexgon bolt M6x20	11	GB/T5783-2000
13	06.06.686	Tank cap	1	14320-A142-0000
14	01.03.0263	Hexagon nut M6	2	GB/T6170-2000
15	06.06.637	Hood fastener	1	102.04.10-1
16	01.03.0253	Buckle nut M6	2	62.41.121
17	04.07.02.06808	Tank	1	102.04-9A
18	01.01.5083	Screw M6x16	2	GB/T947-86
19	03.05.1.007	Fuel tube	1	102.03-13
20	06.06.602	Tube hoop	2	102.03-14
21	01.01.1303	Screw ST4.2x10	6	GB/T845-85
22	01.01.1063	Screw M6x16	14	GB/T818-2000
23	02.05.66	switch	3	62.48.018
24	06.06.619	Switch base	1	102.04.03-1
25	01.03.0233	Hexagon lock nut M6	9	GB/T6183.1-2000
26	06.06.627	Seat switch base	1	120.04.08-1
27	06.06.640	Front cover bracket R	1	102.04.11
28	06.06.448	Throttle cable	1	102.04.10-2
29	06.06.638	Front bracket weldment	1	102.04.10.01
30	01.01.1123	Screw M4x10	2	GB/T818-2000
31	02.05.80	Light switch	1	RS-101-11311-RE/BK
32	02.33.52	Buzzer	1	EFC32314L
33	06.06.629	Seat	1	61.44.012A
34	06.06.630	Seat mounting bracket	1	102.04.09-4
35	06.06.631	Swivel bolt	2	102.04.09-3
36	01.01.1133	Screw M5x16	6	GB/T818-2000
37	01.02.0601	Hexagon bolt M8x16	4	GB/T5789-2000
38	00.06.02.014	Spring flake	1	102.04.09-9
39	04.07.02.06506	Spring cap	2	102.04-7
40	01.03.0063	Hexagon lock nut M5	6	GB/T6183.1-2000
41	01.04.1301	Washer 8	2	GB 96-85
42	06.03.346	Seat spring	2	102.04-6
43	06.06.625	Switch base	1	102.04.06-1
44	01.03.0043	Hexagon nut M3	4	GB/T6170-2000

FRAME COMPONENTS

ITEM NO.	PART NUMBER	DRSCRIPTION	QTY	REMARKS
45	01.04.0201	Spring washer 3	4	GB 93-2000
46	06.06.624	Switch base weldment	1	102.04.05.01
47	01.05.0023	Cotter pin 2x16	1	GB/T91-2000
48	02.05.75	Switch	1	KW3-OZ-1
49	01.01.1183	Screw M3x20	4	GB/T818-2000
50	04.07.02.10506	Hook	1	102.04.05-2
51	04.07.02.06400	Switch lever	1	102.04.05-1
52	01.04.0023	Washer 6	1	GB 95-85
53	06.06.622	Swivel bracket weldment(R)	1	102.04.07
54	06.06.621	Swivel bracket weldment(L)	1	102.04.04
55	00.05.02.01.009	Rear baffle plate	1	102.04-5
56	00.06.02.040	Tow attachment	1	102.04-3
57	00.06.02.042	Bracket for spring R	1	102.04-4
58	00.06.02.006	Brackrt for spring L	1	102.04-4A
59	06.06.334	Hook	2	62.70.105
60	06.02.204	Spring	2	62.70.107
61	06.06.635	Bracket	1	102.04-8
62	01.03.0273	Hexagon nut M8	2	GB/T6170-2000
63	03.05.2.009	Height control block	1	62.30.102
64	00.08.01.007	Vent-pipe washer	1	102.03.07-3
65	00.01.02.0001	Bolt 5/16-18-3/4UNC	2	102.03.07-4
66	00.05.02.01.004	Vent-pipe	1	102.03.07.02
67	00.06.02.071	Vent pipe shield	1	102.03.07.03.01-7
68	01.02.0215	Hexagon bolt M6x55	1	GB/T5789-2000
69	06.06.657	Pivot tube	1	102.06-3
70	01.04.0311	Spring washer 6	4	GB/T93-87

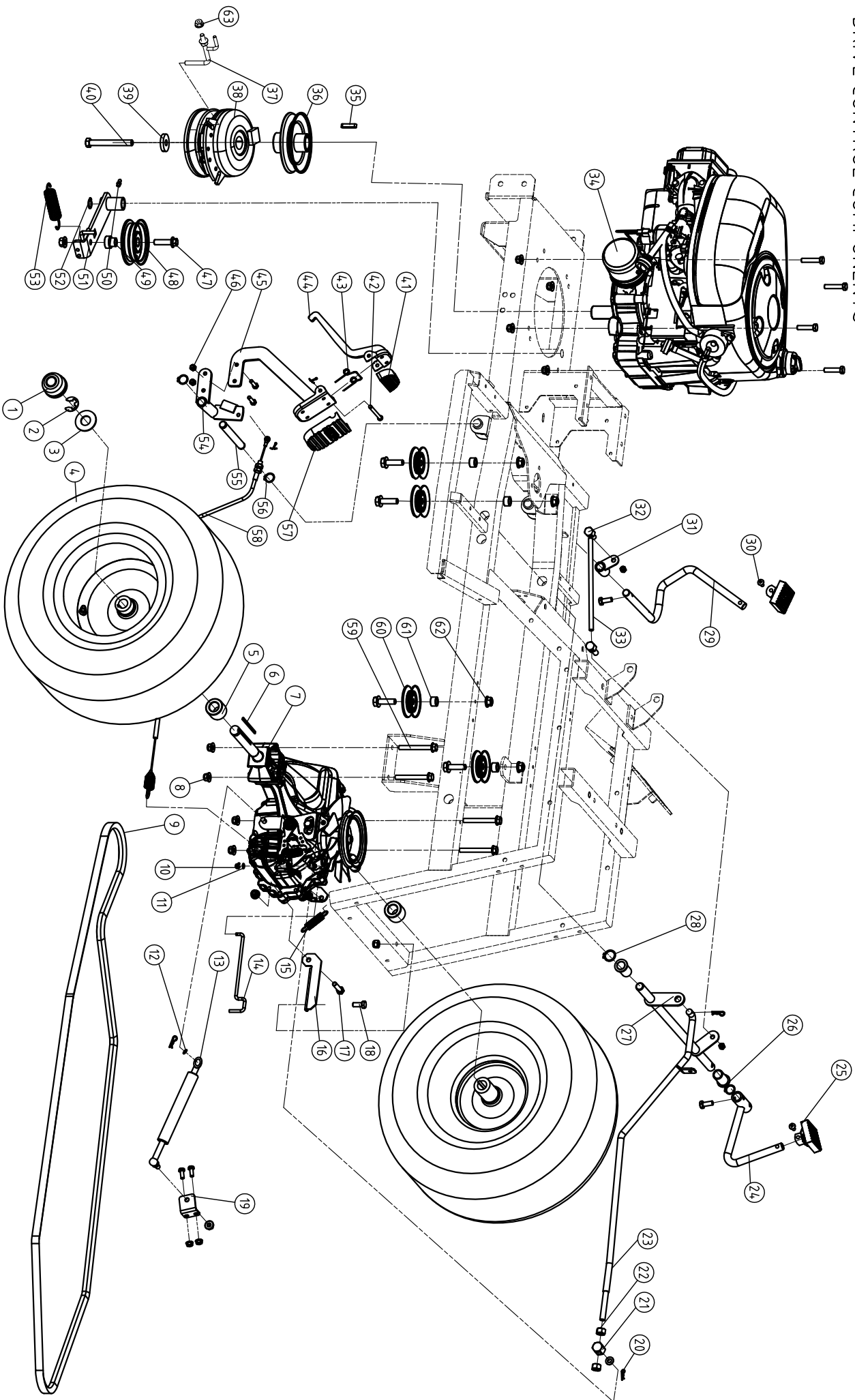
STEERING GEAR



STEERING GEAR

ITEM No	PART NUMBER	DESCRIPTION	QTY	REMARKS
1	06.06.685	Hub cover	2	62.32.102
2	01.04.0101	Axial elastic ring 20	2	GB894.1-86
3	06.06.586	Washer $\phi 20 \times \phi 43 \times 3$	2	102.02-15
4	06.06.574	Bearing washer	2	102.02-16
5	01.05.1230	Bearing 61904	4	GB/T276-94
6	06.06.592	Tyre 15x6-6	2	102.02.01
7	06.06.575	R-stube axle weldment	1	102.02.04
8	01.04.0103	Washer 20	2	GB/T97.1-85
9	04.07.01.01401	Bushing	5	62.40.103
10	06.02.211	L-stube axle weldment	1	102.02.02
11	00.06.02.001	Pull rod	1	102.02-6
12	01.03.0294	Hexagon nut 10-LH	1	GB/T6170-2000
13	01.05.1520	Join bearing	1	SI10E-LH
14	01.06.0180	Grease fitting M6	1	JB/T7940.2-95
15	03.05.1.001	Rubbber cushion	4	102.02-17
16	06.06.703	Front beam weldment	1	102.02.03
17	06.06.577	Pivot axis	1	102.02-4
18	06.06.578	Bush	1	102.02-5
19	01.04.0261	Spring washer 10	1	GB/T93-87
20	01.02.0283	Screw M10x65	1	GB/T70.1-2000
21	06.06.584	Turning arm 1	2	102.02-11
22	06.06.583	Turning arm 2	2	102.02-12
23	01.02.0163	Hexagon bolt M8x50	1	GB/T5789-2000
24	01.04.1301	Washer 8	1	GB 96 -85
25	01.04.0241	Spring washer 8	1	GB/T93-87
26	01.02.0363	Hexagon bolt M8x20	4	GB/T5789-2000
27	01.05.1451	Joint bearing SQ10-RS	1	SQ10-RS
28	01.03.0103	Hexagon nut M10	3	GB/T6170-2000
29	06.06.540	Pull rod	1	102.02-13
30	06.06.596	Spacer ring	2	102.03-1
31	01.05.1521	Join bearing	2	SI10E
32	01.04.0093	Washer 14	2	GB 95-85
33	04.07.01.04000	Steering wheel	1	62.40.013
33	01.02.0193	Hexagon bolt M10x40	1	GB/T5789-2000
34	01.02.0213	Screw M6x35	1	GB/T70.1-2000
35	06.06.585	Steering column	1	102.02-14
36	01.03.0343	Hexagon lock nut M6	1	GB/T6183.1-2000
38	00.06.02.003	Gear bracket	2	102.02-10
39	06.06.582	Gear plate	1	102.02-9
40	00.06.02.002	Bushing	2	102.02-7
41	01.04.0051	Snapring 15	2	GB 896-86
42	01.03.0103	Hexagon lock nut M10	6	GB/T6183.1-2000
43	06.06.576	Hexagon bush	1	102.02-3
44	01.04.0093	Washer 16	2	GB/T97.1-85
45	04.07.01.05800	Rubber ring	1	102.02-2
46	06.06.580	Gear bracket	1	102.02-8
47	01.03.0093	Hexagon lock nut M8	3	GB/T6183.1-2000
48	06.06.684	Hexagon rubber bush	2	62.50.114
49	01.02.0703	Hexagon bolt M10x35	2	GB/T5789-86
49	06.06.581	Gear	1	102.02-1
50	01.05.0091	Spring pin 6x26	1	GB/T879.1-2000

DRIVE CONTROL COMPONENTS



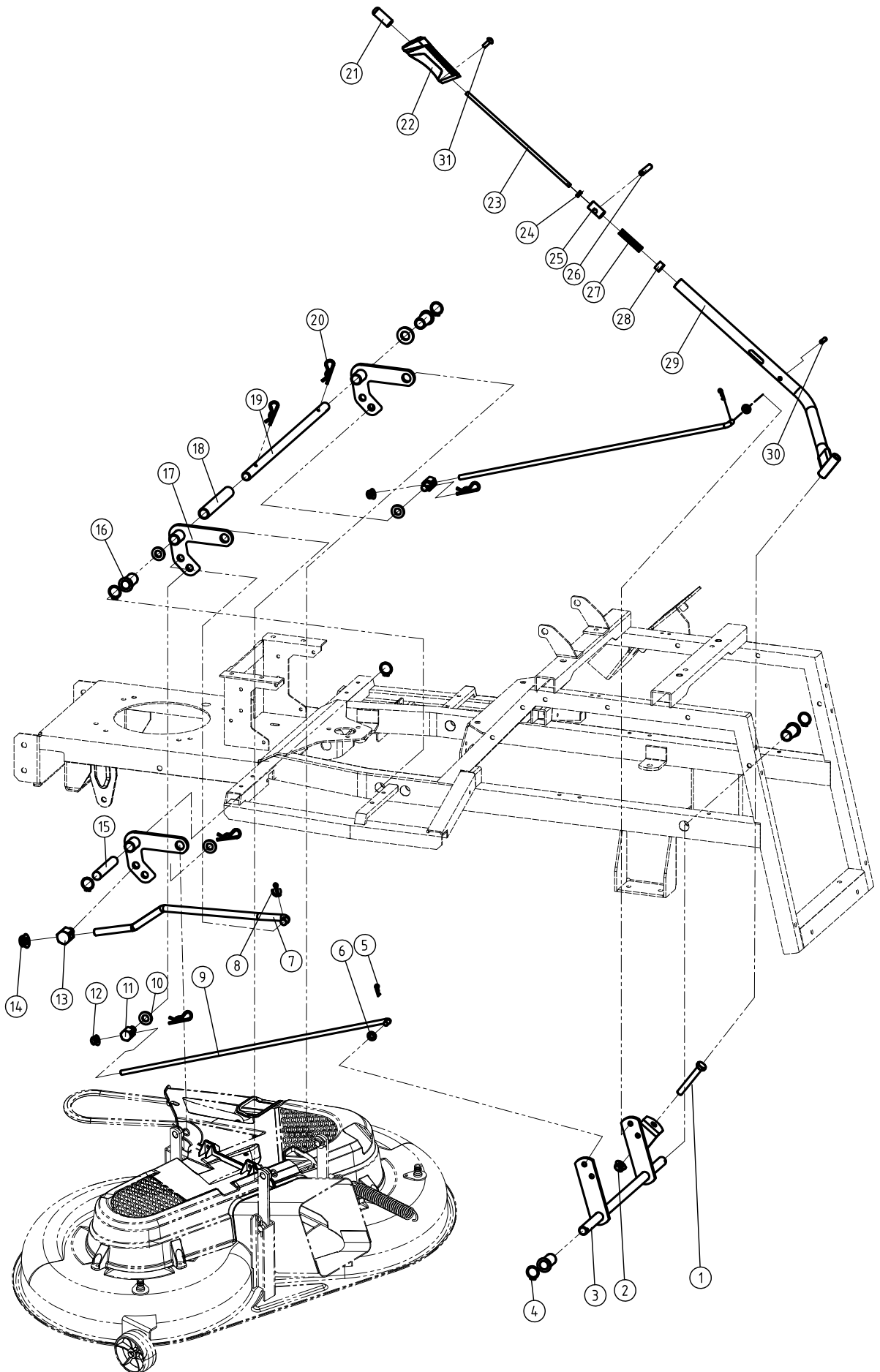
DRIVE CONTROL COMPONENTS

ITEM No.	PART NUMBER	DESCRIPTION	QTY	REMARKS
1	06.06.685	Hub cover	2	62.32.102
2	01.04.0051	Snapring 15	2	GB/T896-86
3	06.06.586	Washer $\phi 20 \times \phi 43 \times 3$	2	102.02-15
4	06.06.590	Tyre 18x8.5-8	2	102.03.01.01
5	06.06.588	Spacer ring	2	102.03.01-2
6	01.06.0160	Key 4.85x4.85-60	2	102.03.01-1
7	06.06.589	Hydro gear	1	T2-ACBD-3X3B-1PX1
8	01.03.0093	Hexagon lock nut M8	14	GB/T6183.1-2000
9	03.05.1.004	Belt AP2700	1	
10	01.05.0023	Cotter pin 2x16	2	GB/T91-2000
11	01.04.0123	Washer 5	1	GB 96-85
12	01.04.1301	Washer 8	2	GB 96-85
13	06.06.570	Damper	1	102.03-15
14	06.06.549	Pull lever	1	102.03-7
15	06.03.326	Traction spring	1	62.43.104
16	06.06.606	Transmission support	1	102.03-9
17	01.02.0263	Hexagon bolt M8x45	5	GB/T5789-2000
18	01.02.0363	Hexagon bolt M8x20	6	GB/T5789-2000
19	06.06.605	Damper support	1	102.03-8
20	06.03.337	Hair pin cotter $\phi 2$	3	62.53.113
21	06.06.604	Swivel joint M10	1	102.03-6
22	01.03.0293	Hexagon nut M10	2	GB/T6170-2000
23	06.06.603	Drive pull lever weldment	1	102.03.08
24	06.06.597	Reverse arm weldment	1	102.03.03
25	04.07.02.06106	Drive control pedal	2	102.03-2
26	04.07.02.07500	Rubber bushing	2	102.05-3
27	06.06.608	Cross shaft weldment	1	102.03.10
28	01.04.0071	Axial elastic ring 16	2	GB894.1-2000
29	06.06.546	Forward arm	1	102.03-3
30	01.01.1561	Screw M5x20	1	GB/T818-2000
31	00.06.02.056	Drive arm weldment	1	102.03.01A
32	00.06.02.057	Swivel joint M8	2	102.03-17A
33	00.06.02.058	Pill rod	1	102.03-16A
34	06.06.562	Engine HP17.5	1	
35	01.06.0140	Key 6.35x6.35x30	1	62.21.113
36	06.02.209	Engine pulley weldment	1	102.03.07.01
37	06.06.598	Clutch rod	1	102.03-5
38	02.39.10	Electric clutch	1	521736
39	01.04.0271	Spring washer 12	1	GB 93-87
40	06.06.600	Engine axial bolt 7/16-20unf	1	102.03.07-1
41	04.07.02.06206	Parking pedal	1	102.03.12-2
42	06.06.445	Pivot	1	102.03.12-3
43	06.03.345	Torsion spring	1	102.03.12-1

DRIVE CONTROL COMPONENTS

ITEM No.	PART NUMBER	DESCRIPTION	QTY	REMARKS
44	06.06.612	Parking arm weldment	1	102.03.12.01
45	06.06.614	Brake pedal weldment	1	102.03.12.02
46	01.03.0233	Hexagon lock nut M6	7	GB/T6183-2000
47	01.02.0193	Hexagon bolt M10x40	5	GB/T5789-2000
48	06.06.556	Idler pulley	1	102.03.06.02
49	06.06.595	Pulley bushing	1	102.03.06-1
50	03.04.1.006	Grease fitting M6	1	GB1152
51	06.06.594	Idler pulley arm weldment	1	102.03.06.01
52	01.04.0071	Axial elastic ring 16	1	GB894.1-86
53	06.03.344	Traction spring	1	102.03-4
54	06.06.610	Brake arm weldment	1	102.03.11
55	06.06.609	Brake axle	1	120.03-11
56	01.04.0081	Axial elastic ring 14	2	GB/T894.1-2000
57	04.07.02.06306	Brake pedal	1	102.03.12-4
58	06.06.569	Brake cable assembly	1	102.03.04
59	01.02.0183	Hexagon bolt M8x70	4	GB/T5789-2000
60	06.06.555	Idler pulley	1	102.03.02
61	06.06.596	Spacer ring	1	102.03-1
62	01.03.0093	Hexagon lock nut M10	3	GB/T6183.1-2000
63	99.0461	Hexagon nut M8	2	GB/T6177.1-2000

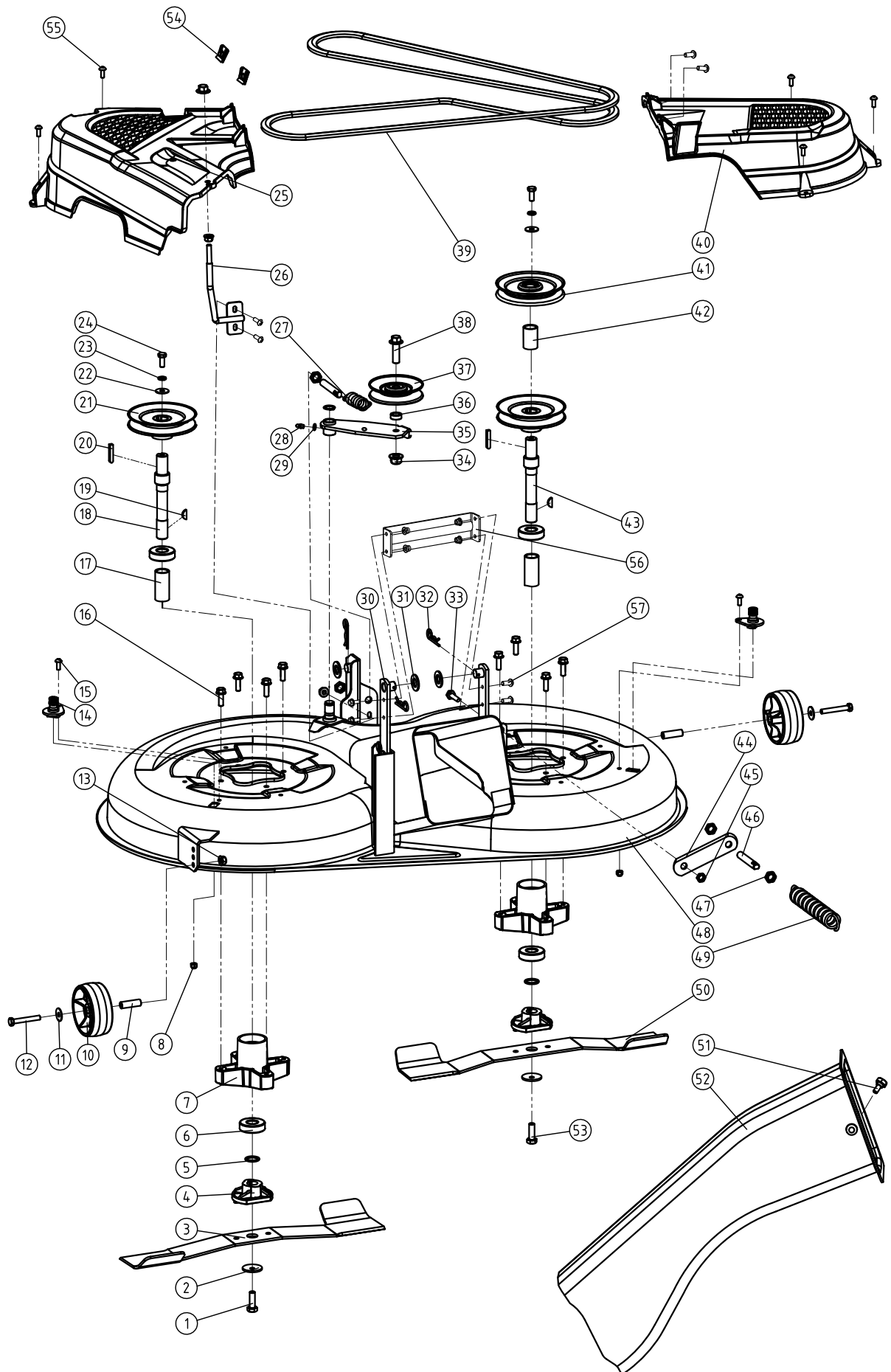
LIFT COMPONENTS



LIFT COMPONENTS

ITEM No.	PART NUMBER	DESCRIPTION	QTY	REMARKS
1	01.02.0273	Hexagon bolt M10x70	1	GB/T5789-2000
2	01.03.0323	Hexagon lock nut M10	1	GB/T6183.1-2000
3	06.06.641	Lift cross shaft weldment	1	102.05.01
4	01.04.0071	Axial elastic ring 16	6	GB894.1-2000
5	06.03.337	Hair pin cotter $\phi 2$	5	62.56.113
6	01.04.0033	Washer 8	2	GB95-85
7	06.06.552	Connection rod	1	102.05-8
8	01.05.0033	Cotter pin 4x28	2	GB/T91-2000
9	06.06.551	Pulling rod	2	102.05-9
10	01.04.0043	Washer 12	3	GB 95-85
11	06.06.651	Swivel joint 8	2	102.05-1
12	01.03.0093	Hexagon lock nut M8	2	GB/T6183.1-2000
13	06.06.650	Swivel joint 12	1	102.05-7
14	01.03.0123	Hexagon lock nut M12	1	GB/T6183.1-2000
15	06.06.649	Swivel shaft	1	102.05-6
16	04.07.02.05806	Rubber bushing	4	102.05-3
17	06.06.652	Lift arm weldment	3	102.05.03
18	06.06.648	Long spacer ring	1	102.05-5
19	06.06.649	Lift swivel shaft	1	102.05-2
20	06.03.338	Hair pin cotter $\phi 3$	2	102.05-5
21	04.07.01.00301	Rubber button	1	62.56.101
22	04.07.01.01101	Lift handle	1	62.56.102A
23	06.06.643	Push rod	1	120.05.02-1
24	01.03.0263	Hexagon nut M6	1	GB/T6170-2000
25	06.06.645	Pin retainer	1	102.05.02-2
26	01.05.0121	Spring pin 8x40	1	GB/T879.1-2000
27	06.06.705	Pressure spring	1	62.56.106
28	06.06.430	Spring retainer	1	62.56.107
29	06.06.644	Life handle weldment	1	102.05.02.01
30	01.05.0091	Spring pin 6x26	1	GB/T879.1-2000
31	01.01.1572	Screw M5x8	1	GB/T818-2000

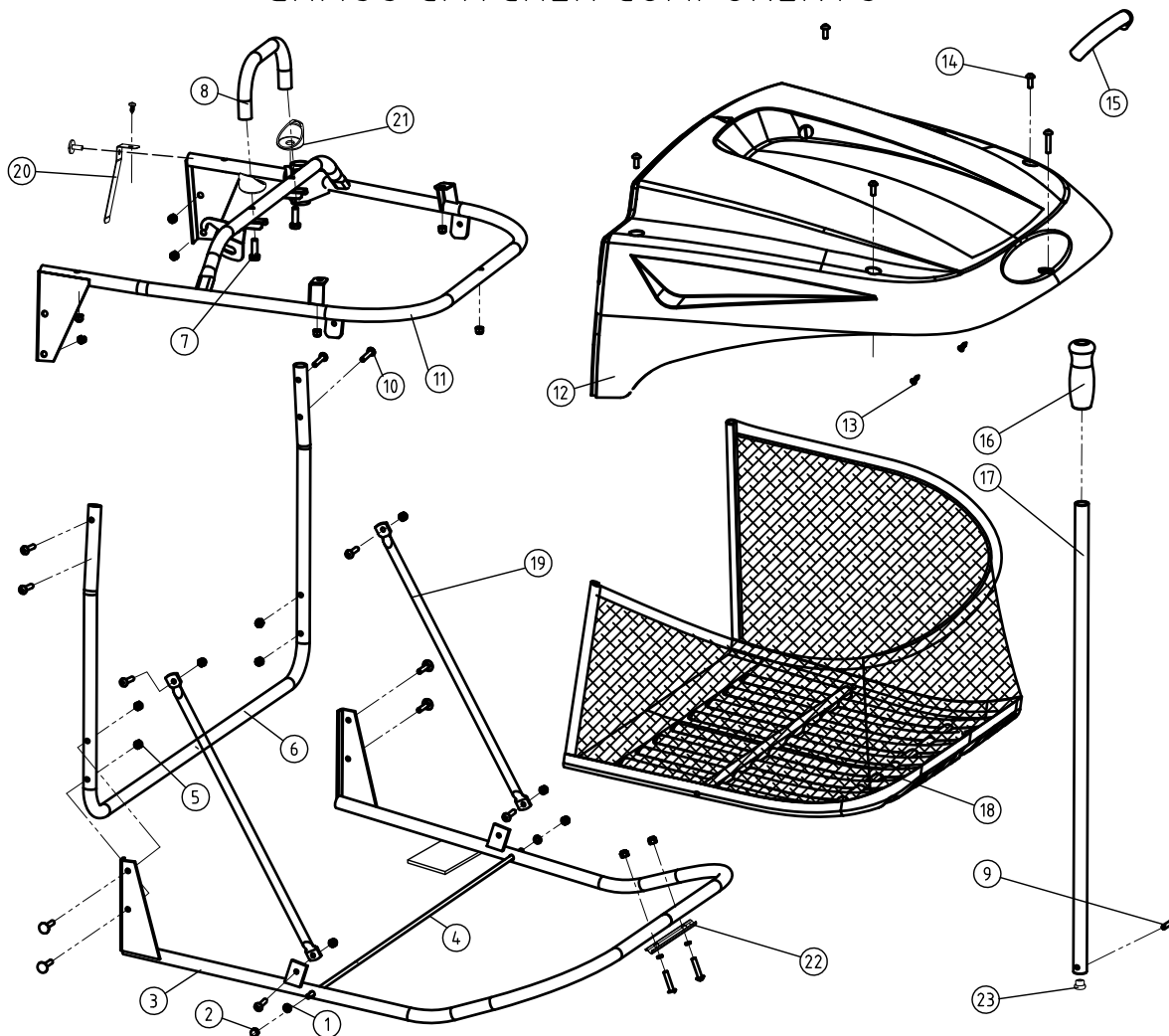
DECK COMPONENTS



DECK COMPONENTS

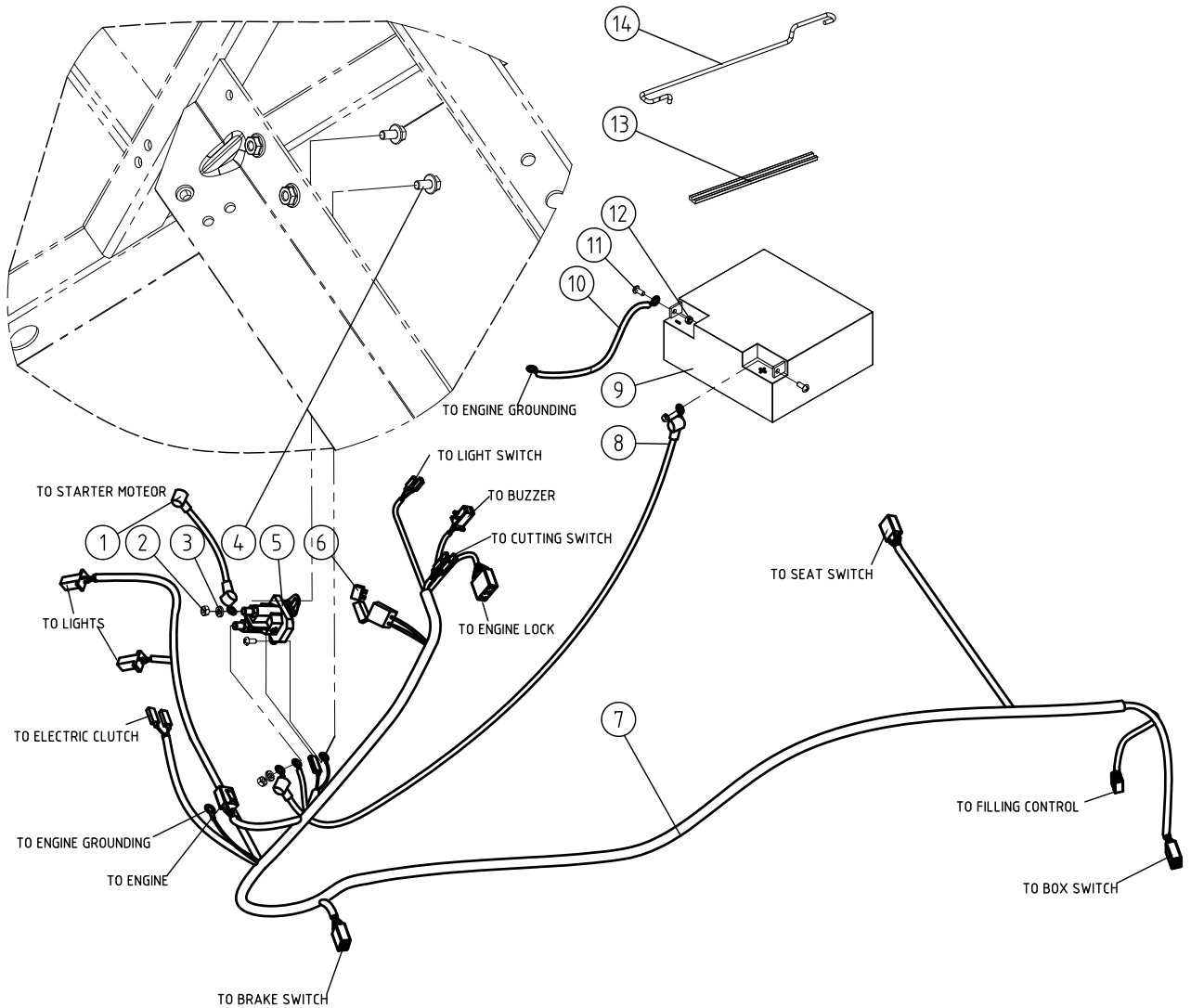
ITEM No.	PART NUMBER	DESCRIPTION	QTY	REMARKS
1	01.02.0103	Bolt 3/8-24unf	1	3/8"-24-1.25"unf
2	06.03.325	Saucer washer	2	62.4.1.105
3	00.06.02.021	Left brade	1	92M03.02-1
4	05.01.01.182	Sleeve	2	62.4.1.102
5	06.06.664	Spacer ring	2	102.06.04-4
6	01.05.1420	Bearing 6204-2RZ	4	GB/T276-1994
7	06.06.663	Cuttter house	2	102.06.04-3
8	01.03.0343	Hexagon lock nut M6	8	GB/T6183.1-2000
9	06.06.657	Pivot tube	2	102.06-3
10	04.07.01.07000	Wheeeel	2	102.06-2
11	01.04.0033	Washer 8	2	GB 95-85
12	01.02.0383	Hexagon bolt M8x60	2	GB/T5783-2000
13	01.03.0093	Hexagon lock nut M8	4	GB/T6183.1-2000
14	04.07.01.00201	Water nozzle	2	62.4.1.112
15	01.01.4063	Screw M6x16	12	GB/T947-88
16	01.02.0113	Hexagon bolt M8x25	8	GB/T5789-2000
17	06.06.662	Pivot tube	2	102.06.04-2
18	06.06.661	Left blade axle	1	102.06.04-1
19	01.06.0080	Woodruff key 4x16	2	GB/T1099-1979
20	01.06.0170	Key 6x6x30	2	GB/T1096-86
21	00.06.02.045	Pulley weldment	2	92M03.03
22	01.04.1301	Washer 8	2	GB 96-85
23	06.03.350	Spring washer	2	GB 93-87
24	01.02.0363	Hexagon bolt M8x20	8	GB/T5789-2000
25	04.07.01.07105	Left pulley cover	1	102.06-4
26	00.06.02.051	Cover bracket	1	102.06.08
27	06.03.350	Traction spring	1	102.06-7
28	01.06.0180	Grease fitting M6	1	GB 1152
29	01.04.0023	Washer 6	1	GB 95-85
30	06.06.666	Hander plate weldment	2	GB 95-85
31	01.04.0093	Washer 16	6	GB 95-85
32	06.03.338	Hair pin cotter ϕ 3	6	102.05-4
33	01.02.0193	Hexagob bolt M10x25	1	GB/T5789-86
34	01.03.0123	Hexagon lock nut M12	1	GB/T6183.1-2000
35	06.06.655	Idler pulley arm weldment	1	102.06.02.02
36	06.06.656	Spacer	1	102.06.02-8
37	06.06.706	Idler pulley	1	102.06.02.01
38	01.02.0203	Hexagon bolt M12	1	GB/T5789-2000
39	03.05.1.014	Belt AA105	1	
40	04.07.01.07205	Right pulley cover	1	102.06-6
41	00.06.02.419	Belt carrier	1	92M03.04
42	06.06.656	Pivot tube	1	102.06-5
43	06.06.707	Right blade axle	1	102.06.06-1
44	00.06.02.006	Spring bracket	1	102.06-9
45	01.03.0103	Hexagon lock nut M10	1	GB/T6183.1-2000
46	06.06.658	Adjusting screw	1	102.06-11
47	01.03.0053	Hexagon nut M12	4	GB/T6170-2000
48	00.06.02.024	Deck weldment	1	92M03.01
49	06.03.349	Traction spring	1	102.06-1
50	00.06.02.022	Right blade	1	92M03.05-1
51	01.02.0661	Swivel bolt	2	102.04.09-3
52	04.07.01.03906	Collector channel	1	102.06-10
53	01.03.0501	Buckle nut M 6	2	102.06-8
54	01.02.0321	LH Bolt 3/8-24unf	1	3/8"-24-1.25"-LH
55	01.01.4341	Hexagon socket button head screws M6x16	7	GB/T70.2-2000
56	06.06.688	Connecting plate	1	102.05-11
57	01.02.0011	Hexagon bolt M6x20	4	GB/T5789-86

GRASS CATCHER COMPONENTS



ITEM No.	PART NUMBER	DESCRIPTION	QTY	REMARKS
1	01.04.0023	Washer 6	18	GB 96-85
2	01.03.0133	Canopy nut M6	2	GB 923-88
3	06.06.673	Bottom frame weldment	1	102.07.03
4	06.06.674	Screw rod	1	102.07-6
5	01.03.0233	Hexagon lock nut M6	18	GB/T6183.1-2000
6	06.06.672	Front frame	1	102.07-5
7	01.02.0243	Hexagon bolt M8x30	2	GB/T5789-2000
8	06.06.670	Front handle	1	102.07.04
9	01.05.0091	Spring pin 6x26	1	GB/T879.1-2000
10	01.01.1233	screw M6x35	13	GB/T818-2000
11	06.06.671	Top frame weldment	1	102.07.01
12	04.07.02.07302	Cover	1	102.07-2
13	01.01.1553	Screw ST4.8x13	3	GB/T845-85
14	01.01.1063	screw M6x16	6	GB 12-88
15	04.07.02.07400	Rear handle	1	102.07-3
16	04.07.01.01101	Handle	1	62.56.102
17	06.06.669	Lever	1	102.07-1
18	03.05.1.008	Grass catcher	1	102.07.02
19	06.02.148	Side stay pipe	2	62.70.111
20	00.06.02.043	Spring fingers	1	102.07-7
21	04.07.02.06506	Spring cap	2	102.04-7
22	00.06.02.048	Layer board	1	102.07-8
23	03.04.1.016	Bumper	1	62.47.114

POWER LINE



ITEM No.	PART NUMBER	DESCRIPTION	QTY	REMARKS
1	02.39.07	Starter wire	1	102.08-3
2	01.03.0263	Hexagon Nut M6	2	GB/T6170-2000
3	01.04.0221	Spring washer 6	2	GB/T93-87
4	01.02.0054	Hexagon bolt M6×16	2	GB/T5789-2000
5	02.33.54	Relay	1	188.1010TQ01
6	06.06.027	Fuse	1	15A
7	02.39.09	Power line	1	102.08-4
8	02.39.08	Cable to relay	1	102.08-2
9	02.33.57	Battery	1	GP1270
10	02.39.06	Engine grounding wire	1	102.08-1
11	01.01.1134	Screw M5×16	2	GB/T818-2000
12	01.03.0063	Hexagon lock nut M5	2	GB/T6183-2000
13	03.05.1.003	Rubber plate	1	102.08-6
14	06.06.687	Stationary frame	1	102.08-5

Power Line

START	○	—	○	○	
RUN	○	—		○	
STOP		○	—	○	
	Pink	Br	W	Gray	B

