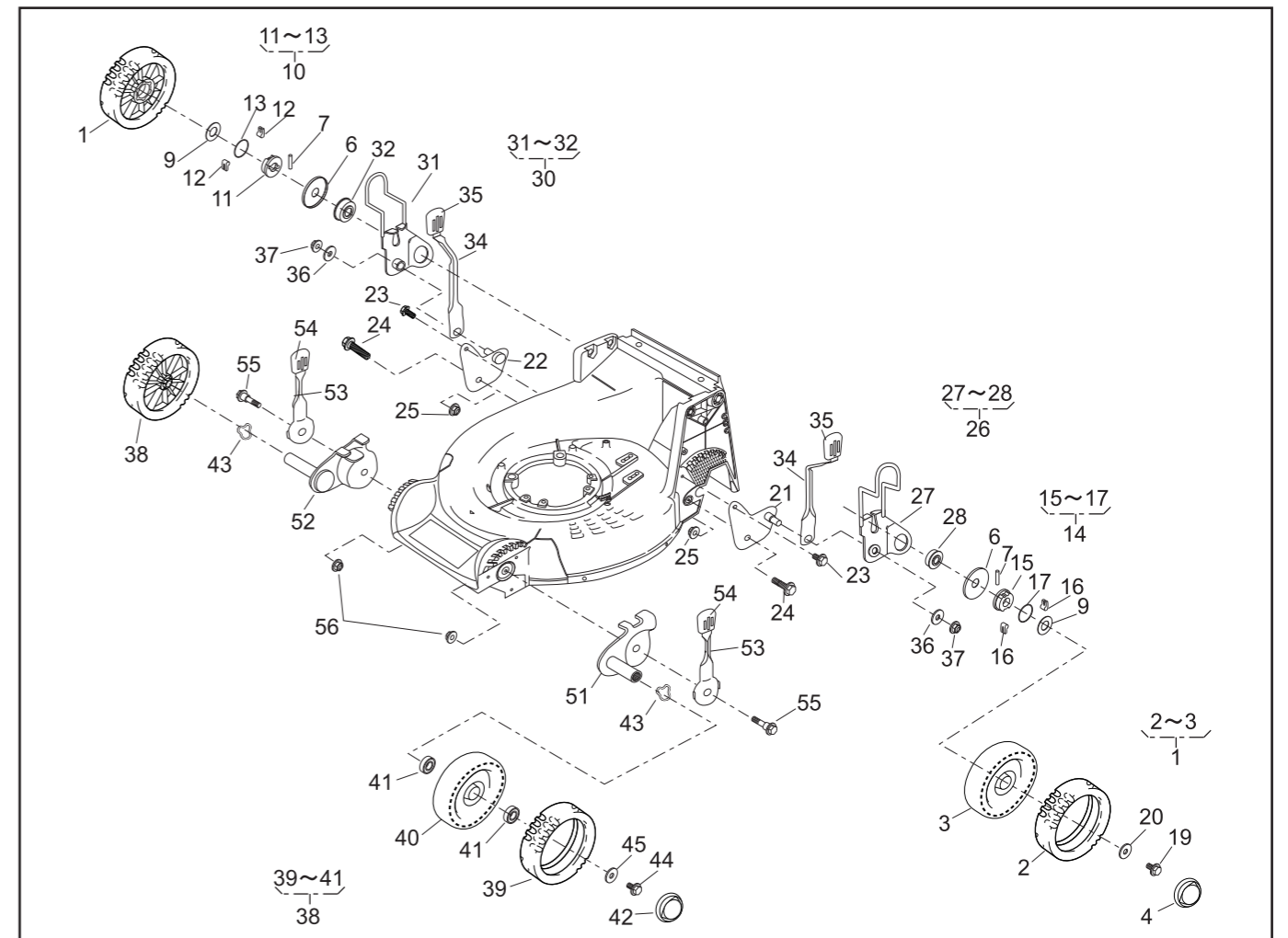


PARTS LIST

P/L No. 46014-501-00

REF. No.	PARTS No.	PARTS NAME	WHEEL		PRICE()	RECOMM.(%) Lot.100	REMARKS
			Q'TY	INCLUDING			
1	71041 112	WHEEL ASSY(R)	2				
2	91086 106	TIRE	2				
3	36107 101	WHEEL	2				
4	36070 110	CAP	2				
5							
6	61003 112	THRUST PLATE	2				
7	31034 137	PIN	2				
8							
9	68036 146	WASHER	2				
10	71158 101	RATCHET ASSY(R)	1				
11	11102 138	HOLDER	1				
12	31034 170	PIN	2				
13	68013 266	SPRING	1				
14	71158 102	RATCHET ASSY(L)	1				
15	11102 138	HOLDER	1				
16	31034 170	PIN	2				
17	68013 266	SPRING	1				
18							
19	31057 181	HEXAGON BOLT	2				
20	68036 101	WASHER	2				
21	11006 151	STAY C.P.(RL)	1				
22	11006 152	STAY C.P.(RR)	1				
23	342L 0612	FLANGE TAPPING BOLT	2				
24	31057 255	HEXAGON BOLT	2				
25	584L 0800	U-FLANGE NUT	2				
26	71122 112	ADJUSTER ASSY(L)	1				
27	11142 131	ADJUSTER(RL)	1				
28	945L 0349	BEARING	1				
29							
30	71122 113	ADJUSTER ASSY(R)	1				



PARTS LIST

P/L No. 46014-501-00

REF. No.	PARTS No.	PARTS NAME	WHEEL		PRICE()	RECOMM.(%) Lot.100	REMARKS
			Q'TY	INCLUDING			
31	11142 132	ADJUSTER(RR)	1				
32	945L 0349	BEARING	1				
33							
34	11150 105 09	ADJUST LEVER	2				
35	36061 121	KNOB	2				
36	613L 0800	PLAIN WASHER	2				
37	569L 0800	FLANGE NYLON NUT	2				
38	71041 103	WHEEL ASSY(F)	2				
39	91086 106	TIRE	2				
40	36107 102	WHEEL	2				
41	932L 0696	BEARING	4				
42	36070 110	CAP	2				
43	664V 0626	WAVE SPRING WASHER	2				
44	31057 181	HEXAGON BOLT	2				
45	68036 101	WASHER	2				
46							
47							
48							
49							
50							
51	11142 134	ADJUSTER(FL)	1				
52	11142 135	ADJUSTER(FR)	1				
53	11150 107 09	ADJUST LEVER	2				
54	36061 121	KNOB	2				
55	31057 260	HEXAGON BOLT	2				
56	569L 0800	FLANGE NYLON NUT	2				
57							
58							
59							
60							