

SECO
INDUSTRIES

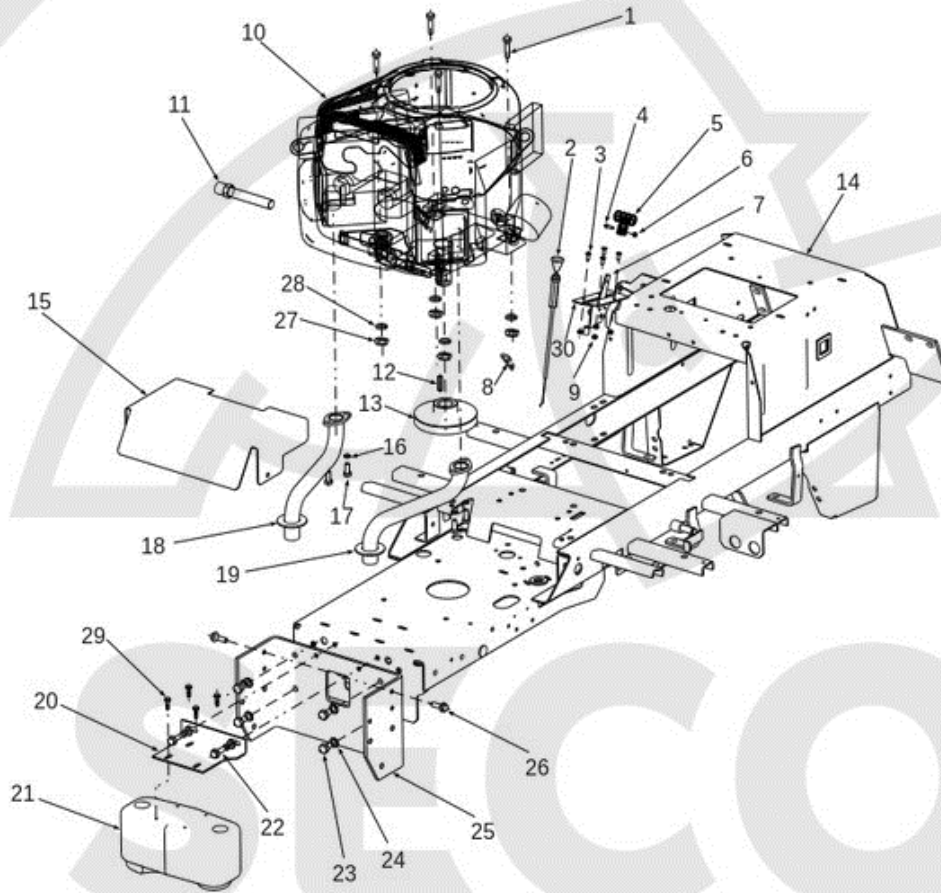
Model:
KNJ1A-13-0004



Model: KNJ1A-13-0004

Group: KNJ01-12-0003

Engine 24HP Intek 4WD

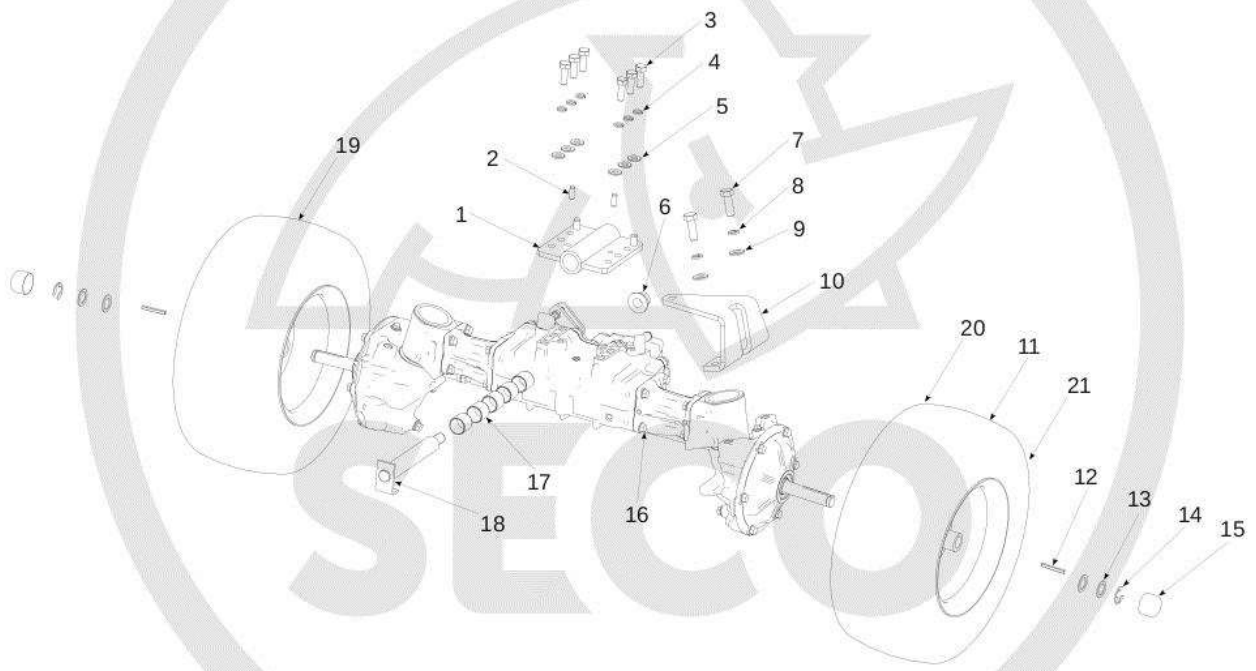


ID	Name	Item code	No.	UOM	Price
1	Screw M 8X40	N309503544	1	KS	EUR /
2	Choke MK01 9-8074-277	N443612011	1	KS	EUR /
3	Screw M 5X16	N309251515	4	KS	EUR /
4	Screw M 4X14 021131.25	N309231535	1	KS	EUR /
5	Throttle lever 0-8060-239	N443900138	1	KS	EUR /
6	Nut M4	N311129514	1	KS	EUR /
7	Throttle lever 9-8071-221 GAR-001	N000443006	1	KS	EUR /
8	HOOK 0-9242-240	N532980071	1	KS	EUR /
9	Nut M5	N311129515	4	KS	EUR /
10	Engine 24 HP Intek	N482351010	1	KS	EUR /
11	Extender	S532927262043	1	KS	EUR /
12	Key 0-9231-213	N311726101	1	KS	EUR /
13	Engine pulley SPA 112	S532033253803	1	KS	EUR /
14	Chassis complete 4X4	S532912962783	1	KS	EUR /
15	Exhaust cover	S532085427383	1	KS	EUR /
16	Washer 8	N311214502	4	KS	EUR /
17	Screw vyf.imbus 5/16x3/4 Unc Zinc	N309579502	4	KS	EUR /
18	Exhaust tube right	S532927442393	1	KS	EUR /
19	Exhaust tube left	S532927442403	1	KS	EUR /
20	Exhaust holder	S532113405093	1	KS	EUR /
21	Exhaust Nelson 24500 N-20 V-twin	N443900129	1	KS	EUR /
22	Screw M 8X25 KL 100 RIPP V Zinc	N309503005	2	KS	EUR /
23	Screw M 10X16	N309503521	4	KS	EUR /
24	Washer 10	N311214503	4	KS	EUR /
25	Extender	S532113405083	1	KS	EUR /
26	Screw M 8X25 KL 100 RIPP V Zinc	N309503005	2	KS	EUR /
27	Nut M 8 DIN 6926 8 Zinc	N532150290	4	KS	EUR /
28	Not used in this performance	NK00000000	1	KS	EUR /
29	Screw ST 6.3x19 DIN7504-K BN1880	N309315016	4	KS	EUR /
30	Reinforcement	S532080302873	1	KS	EUR /

Model: KNJ1A-13-0004

Group: KNJ03-12-0001

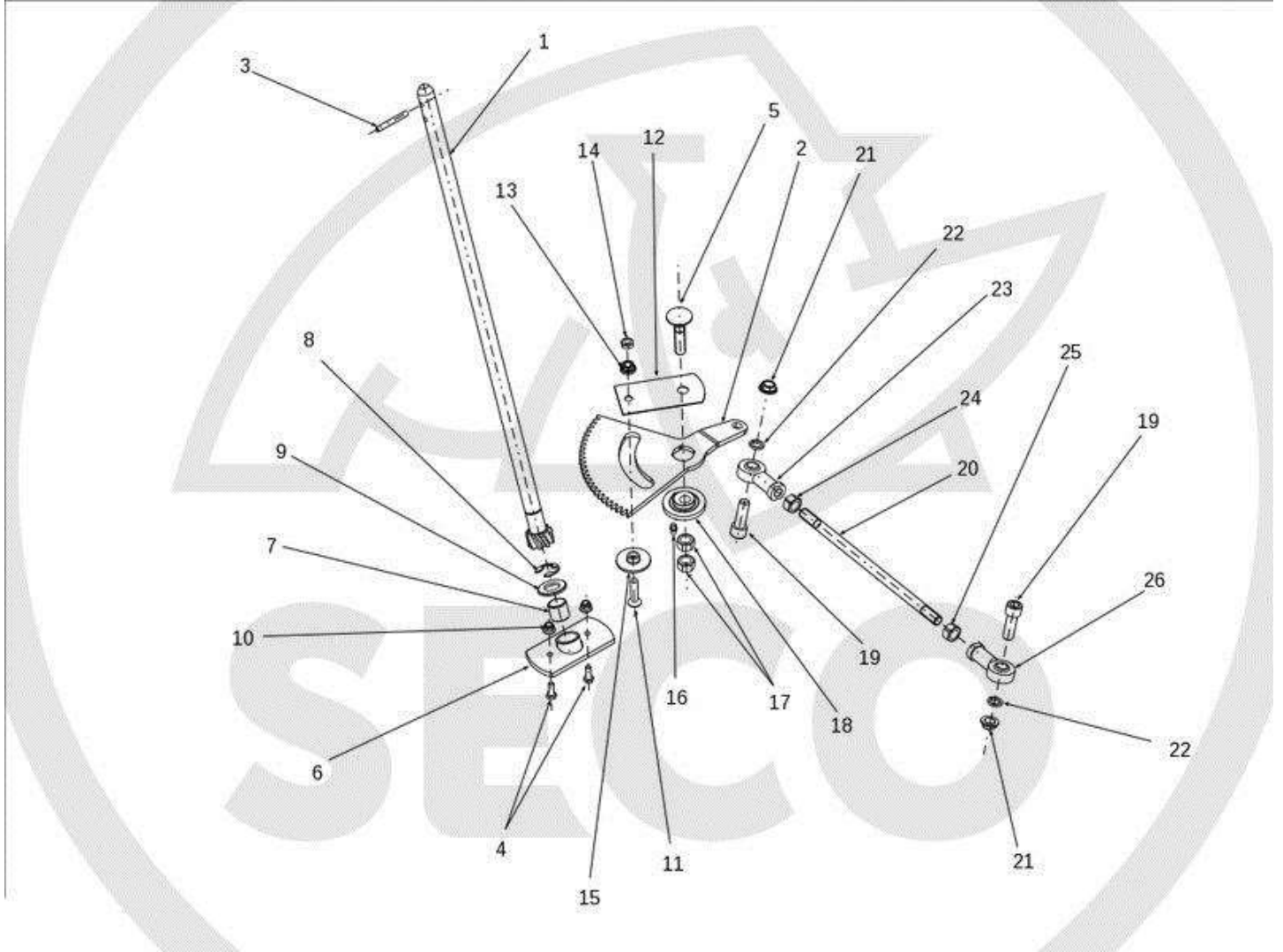
Front axle 4WD



ID	Name	Item code	No.	UOM	Price
1	Axle holder complete	S532916262253	1	KS	EUR /
2	Pin 8X20 A	N311515079	2	KS	EUR /
3	Screw M10x30 DIN 933-10.9	N309503571	6	KS	EUR /
4	Washer 10	N311214503	6	KS	EUR /
5	Washer 10.5	N311210504	6	KS	EUR /
6	Nut M 16 DIN 6926	N311129527	1	KS	EUR /
7	Screw M12x35 DIN 933-10.9	N309503572	2	KS	EUR /
8	Washer 12	N311214504	2	KS	EUR /
9	Washer 13	N311210505	2	KS	EUR /
10	Steering lever	S532080422623	1	KS	EUR /
11	Wheel front L 16x6.50-8 TRAC MAST	N532940177	1	KS	EUR /
12	Spring	S532092312233	2	KS	EUR /
13	Washer	S532092207583	4	KS	EUR /
14	Lock ring E-75 3/4	N311732023	2	KS	EUR /
15	Cover 32X25 Vinyl-Flex	N532150753	2	KS	EUR /
16	Axle front KXH 10N	N532991057	1	KS	EUR /
17	Bearing bushing WSM-2528-25W300	N323721015	5	KS	EUR /
18	Pin complete	S532993122783	1	KS	EUR /
19	Wheel front R 16x6.50-8 TRAC MAST	N532940178	1	KS	EUR /
20	Tyre 16X6.50-8 CROSS 4X4	N274161016	2	KS	EUR /
21	Wheel disk 5.50x8 front Cross 4x4	N325111015	2	KS	EUR /

Model: KNJ1A-13-0004
Group: KNJ05-12-0001

Steering

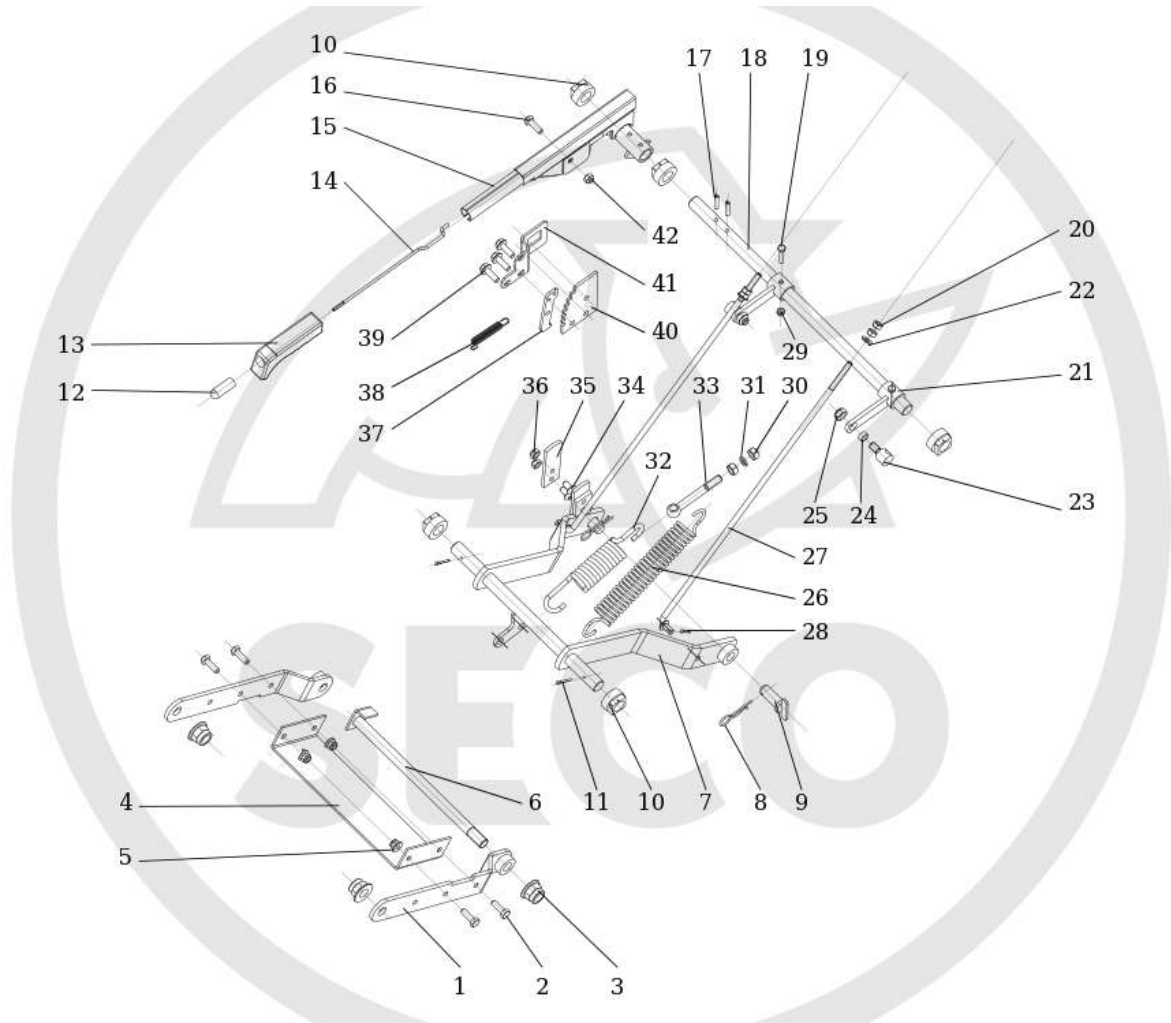


ID	Name	Item code	No.	UOM	Price
1	Pinion compl.	S532930252183	1	KS	EUR /
2	Toothed segment SJ 4X4	S532033322163	1	KS	EUR /
3	Spring pin 6x45	N315238031	1	KS	EUR /
4	Screw M 6X20	N309503548	2	KS	EUR /
5	Screw M 12X55.8.8 A3L ISO 8677	N309019522	1	KS	EUR /
6	Bearing	S532938542043	1	KS	EUR /
7	Bushing 1920 KU	N323721002	1	KS	EUR /
8	Lock ring 15	N311732008	1	KS	EUR /
9	Washer 19	N311210514	1	KS	EUR /
10	Nut M 6 DIN 6926	N311129525	2	KS	EUR /
11	Screw M 8x35 DIN 7991 10.9 Zinc	N309578534	1	KS	EUR /
12	Washer	S532113323423	1	KS	EUR /
13	Nut M8 DIN 6923 8 Zinc. toothed	N311129520	1	KS	EUR /
14	Nut M 8	N311120520	1	KS	EUR /
15	Spacer	S532195202593	1	KS	EUR /
16	Lubricating head MK 6x1	N425111004	1	KS	EUR /
17	Nut M 12	N311150505	2	KS	EUR /
18	Eccentric	S532080272033	1	KS	EUR /
19	Screw M 12x40	N309543522	2	KS	EUR /
20	Connecting rod 9-8042-230	N532980143	1	KS	EUR /
21	Nut M 12 DIN 6923 8 Zinc. toothed	N311129521	2	KS	EUR /
22	Washer 12	N311214504	2	KS	EUR /
23	Joint head PHS 12 CN	N442073028	1	KS	EUR /
24	Nut M 12	N311150505	1	KS	EUR /
25	Nut M 12 L	N311150516	1	KS	EUR /
26	Joint head PHS 12L CN	N442073029	1	KS	EUR /

Model: KNJ1A-13-0004

Group: KNJ06-10-0002

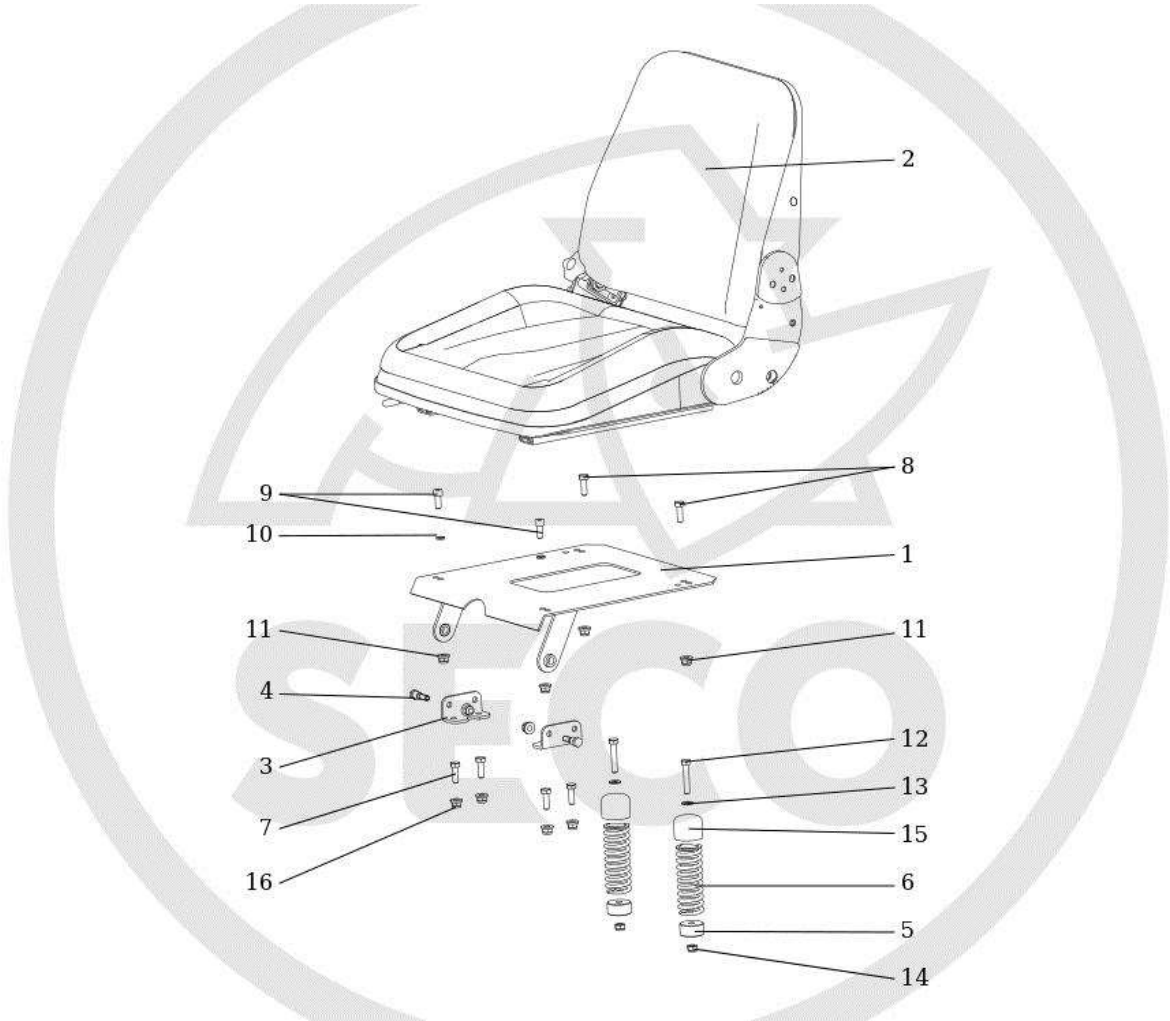
Starjet mowing lifting



ID	Name	Item code	No.	UOM	Price
1	Lifting arm front	S532980508233	2	KS	EUR /
2	Screw M 8X25	N309503512	4	KS	EUR /
3	Nut M 16 DIN 6926	N311129527	3	KS	EUR /
4	Front arm reinforcement	S532080503683	1	KS	EUR /
5	Nut M 8 DIN 6926 8 Zinc	N532150290	4	KS	EUR /
6	Shaft	S532938122533	1	KS	EUR /
7	Lifting arms	S532980508203	1	KS	EUR /
8	Flexible spindle 0-9245-999	N315238003	2	KS	EUR /
9	Pin complete	S532993462343	1	KS	EUR /
10	Bushing 0-9462-201	N722643022	5	KS	EUR /
11	Spindle 3.2x25	N311338517	2	KS	EUR /
12	End piece 0-8025-234	N722643016	1	KS	EUR /
13	Handle 0-8060-236	N532150049	1	KS	EUR /
14	Connecting rod 0-8545-237	N315238034	1	KS	EUR /
15	Lever complete	S532980522163	1	KS	EUR /
16	Screw M 8X25	N309503512	1	KS	EUR /
17	Spring pin 6X30	N315238041	2	KS	EUR /
18	Shaft	S532038102853	1	KS	EUR /
19	Screw M 6X35	N309501568	2	KS	EUR /
20	Nut M 8	N311150503	4	KS	EUR /
21	Arm complete	S532980462853	2	KS	EUR /
22	Washer 8.4	N311210503	2	KS	EUR /
23	Screw	S532090164473	2	KS	EUR /
24	Spacer	S532195203273	2	KS	EUR /
25	Nut M 10	N311129502	2	KS	EUR /
26	Spring 0-9746-460	N315231193	1	KS	EUR /
27	Tie rod 9-8040-232	N532980141	1	KS	EUR /
28	Spindle 3.2x20	N311338516	2	KS	EUR /
29	Nut M 6	N311129513	2	KS	EUR /
30	Nut M 10	N311150506	2	KS	EUR /
31	Washer 10	N311214503	1	KS	EUR /
32	Spring 0-9746-465	N315231165	1	KS	EUR /
33	Screw M 10x90 DIN 444-4.6	N309510001	1	KS	EUR /
34	Screw M 8x20 ISO 7380 10.9 Zinc	N309578522	2	KS	EUR /
35	Cutting backstop	S532114327733	1	KS	EUR /
36	Nut M 8	N311129501	2	KS	EUR /
37	Latch	S532037322113	1	KS	EUR /
38	Spring 0-9746-439	N315231158	1	KS	EUR /
39	Screw M 8X25 KL 100 RIPP V Zinc	N309503005	3	KS	EUR /
40	Toothed segment	S532037322183	1	KS	EUR /
41	Holder	S532113414183	1	KS	EUR /
42	Nut M 8	N311129501	1	KS	EUR /

Model: KNJ1A-13-0004
Group: KNJ11-12-0001

Hood 1

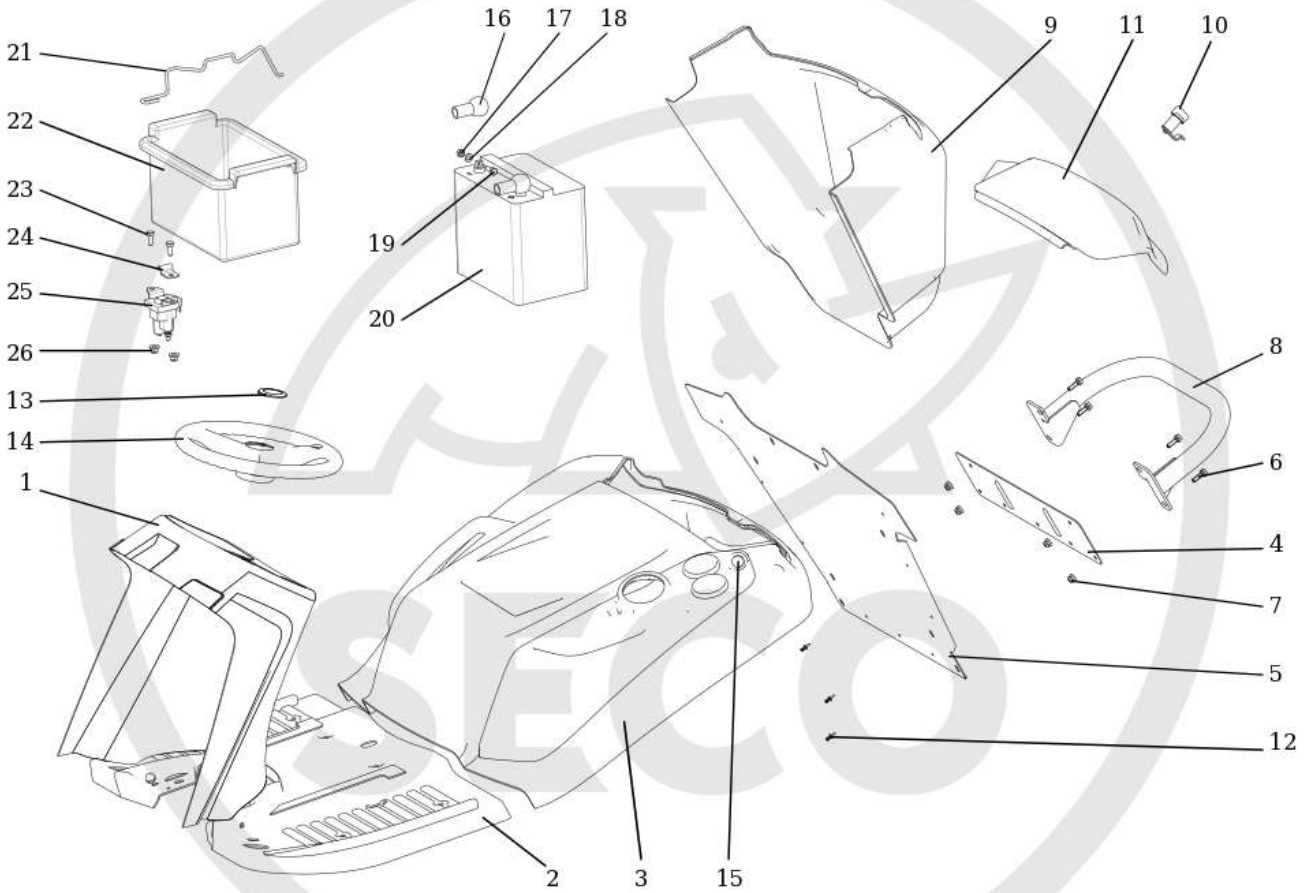


ID	Name	Item code	No.	UOM	Price
1	Seat carrier	S532918473333	1	KS	EUR /
2	Seat Miralbueno RM52	N532151165	1	KS	EUR /
3	Seat holder	S532113408203	2	KS	EUR /
4	Carrier screw	S532090164623	2	KS	EUR /
5	Spacer	S532195203713	2	KS	EUR /
6	Spring 0-9746-434	N315231124	2	KS	EUR /
7	Screw M 8X25	N309503512	4	KS	EUR /
8	Screw M8X20	N309503518	2	KS	EUR /
9	Screw M 8X20	N309543506	2	KS	EUR /
10	Washer 8	N311214502	2	KS	EUR /
11	Nut M 8 DIN 6926 8 Zinc	N532150290	4	KS	EUR /
12	Screw M8x45	N309503559	2	KS	EUR /
13	Washer 9 Zinc	N311212517	2	KS	EUR /
14	Nut M 8	N311129501	2	KS	EUR /
15	Cover 38/A PVC Black	N532150208	2	KS	EUR /
16	Nut M 8 DIN 6926 8 Zinc	N532150290	6	KS	EUR /

Model: KNJ1A-13-0004

Group: KNJ12-12-0003

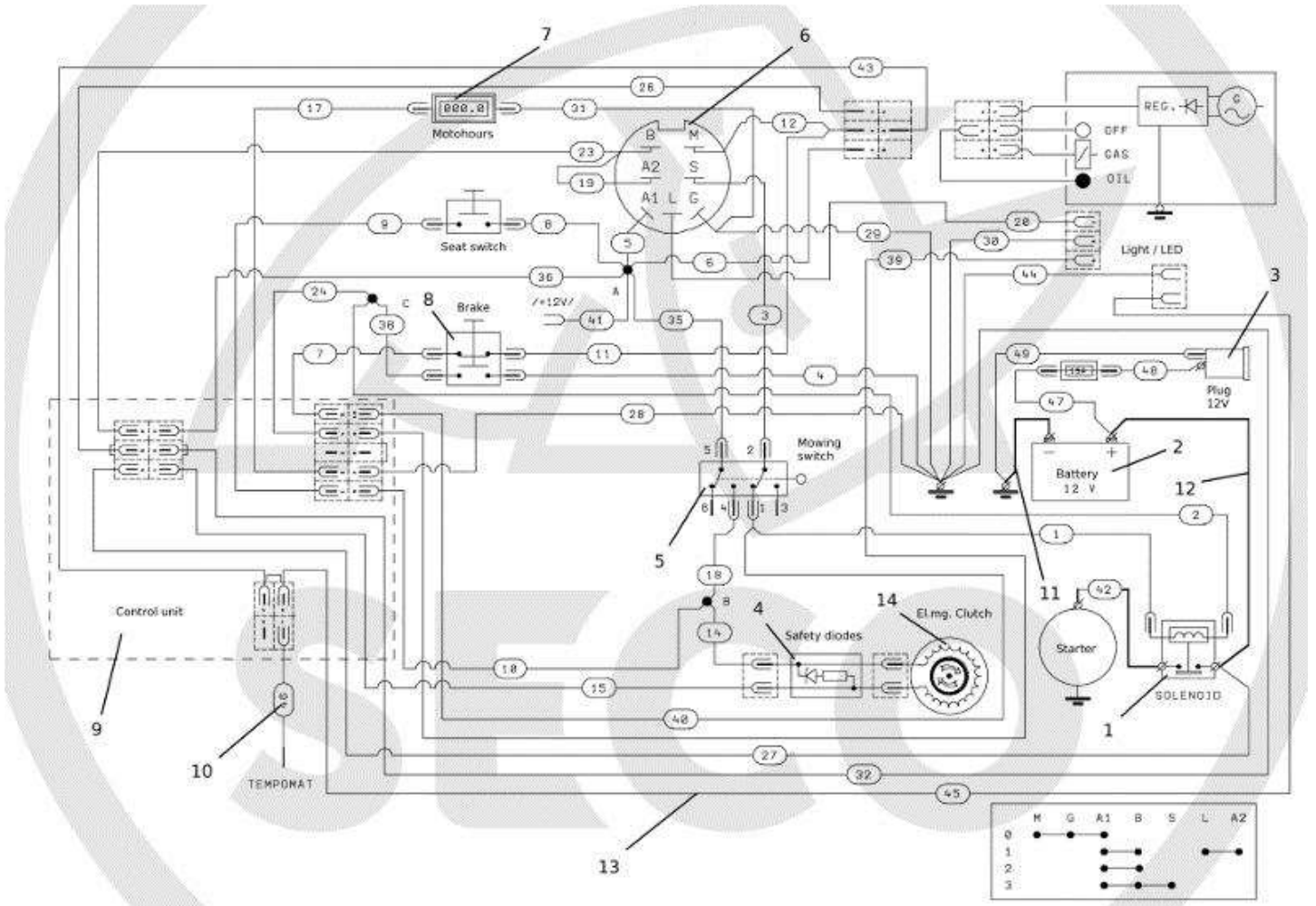
Panther hood n.2



ID	Name	Item code	No.	UOM	Price
1	Panel 0-8048-331 "Volvo" spec.	N532151169	1	KS	EUR /
2	Floor 0-1847-417 M 2000	N532150950	1	KS	EUR /
3	Double fender 0-1847-448 "Volvo"	N532151167	1	KS	EUR /
4	Stiffener	S532013422573	1	KS	EUR /
5	Rear board Special	S532074422723	1	KS	EUR /
6	Screw M 8X25 DIN 6921 8.8 Zinc	N309578011	4	KS	EUR /
7	Nut M 8 DIN 6926 8 Zinc	N532150290	4	KS	EUR /
8	Bumper special	S532918462333	1	KS	EUR /
9	Rear box 0-1847-445 mulcher sp.	N532151163	1	KS	EUR /
10	Lock, turning E5-1-115-091	N549761001	1	KS	EUR /
11	Service box cover 0-1847-449	N532151168	1	KS	EUR /
12	Rivet slide-in D=10 PH=6	N532150984	9	KS	EUR /
13	Steering wheel cover Seat - VOL 1	N532151223	1	KS	EUR /
14	Steering wheel Seat 1032DAP	N443821009	1	KS	EUR /
15	Power outlet 4800128	N345211059	1	KS	EUR /
16	Cover 273 125 020 050	N273125006	2	KS	EUR /
17	Nut M 6	N311129513	2	KS	EUR /
18	Washer 6.4	N311210502	2	KS	EUR /
19	Screw M 6X20	N309503548	2	KS	EUR /
20	Battery 12V-32Ah ETECH F-ET-U1-R3	N346211009	1	KS	EUR /
21	Battery holder 0-8545-221U	N532880041	1	KS	EUR /
22	Battery Box 0-2765-201	N232130001	1	KS	EUR /
23	Screw M6X16	N309503508	2	KS	EUR /
24	Clamp	S532113413453	1	KS	EUR /
25	Solenoid Trombetta 764-1221-210	N532151619	1	KS	EUR /
26	Nut M 6 DIN 6926	N311129525	2	KS	EUR /

Model: KNJ1A-13-0004
 Group: KNJ13-12-0001

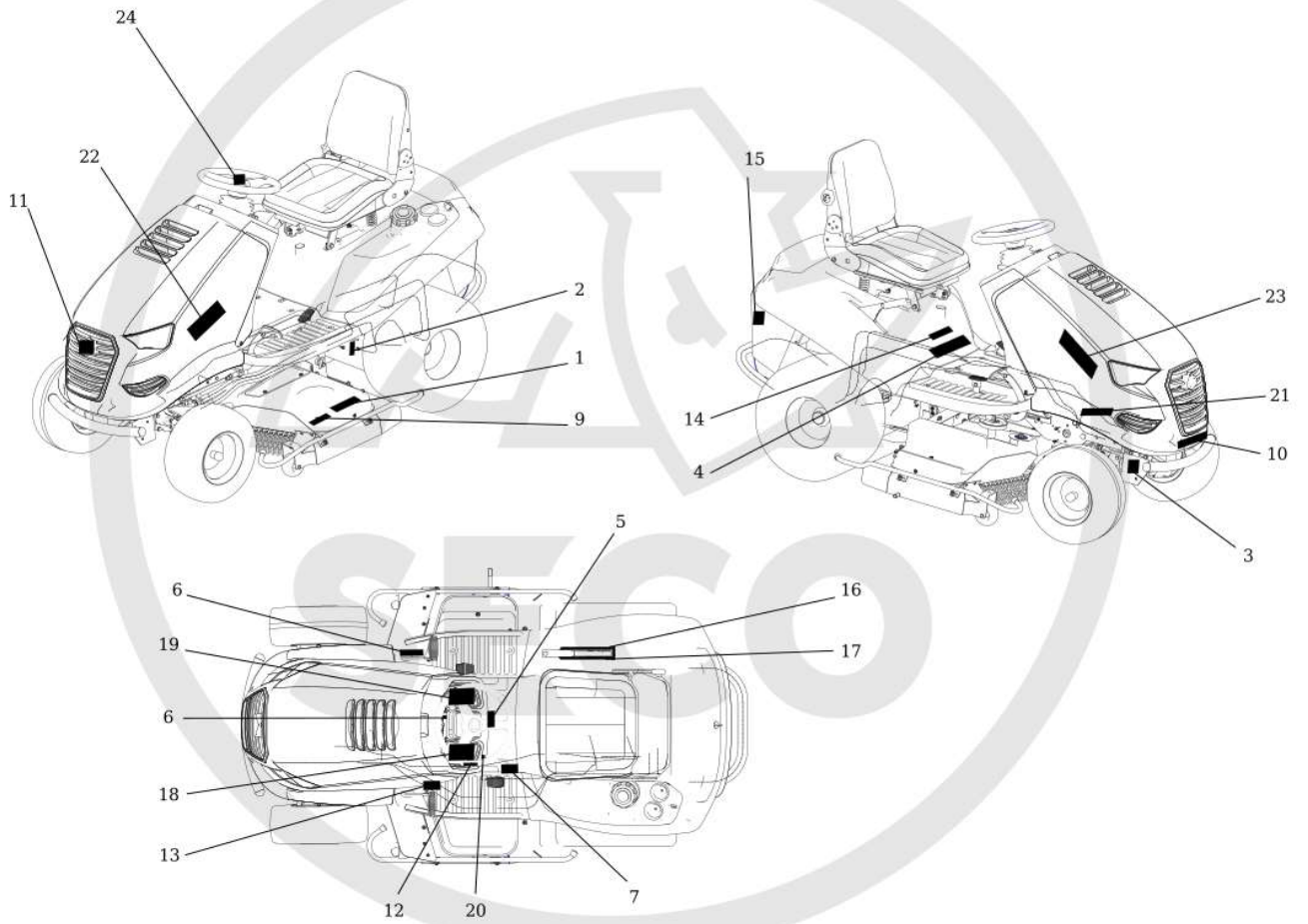
Electrical installation Panther



ID	Name	Item code	No.	UOM	Price
1	Solenoid Trombetta 764-1221-210	N532151619	1	KS	EUR /
2	Battery 12V-32Ah ETECH F-ET-U1-R3	N346211009	1	KS	EUR /
3	Power outlet 4800128	N345211059	1	KS	EUR /
4	Protective diodes harness 9-8316-	N341271052	1	KS	EUR /
5	Switch PTO Delta 6201-321	N345329022	1	KS	EUR /
6	Switch box Delta 6900-47 P	N443861007	1	KS	EUR /
7	Hour-meter SEN DEC DIGITAL	N443433003	1	KS	EUR /
8	Switch DELTA 6700-01B	N532150994	1	KS	EUR /
9	Display KS004037	N443433004	1	KS	EUR /
10	SET OF CRUISE CONTROL CONDUCTORS	N341271154	1	KS	EUR /
11	Cable 9-8316-570	N341271021	1	KS	EUR /
12	Cable 9-8316-553	N341271006	1	KS	EUR /
13	Cable harness AJ110S KS004038	N341271170	1	KS	EUR /
14	Elmag .clutch MSS-80HC	N000532010	1	KS	EUR /

Model: KNJ1A-13-0004
Group: KNJ14-13-0003

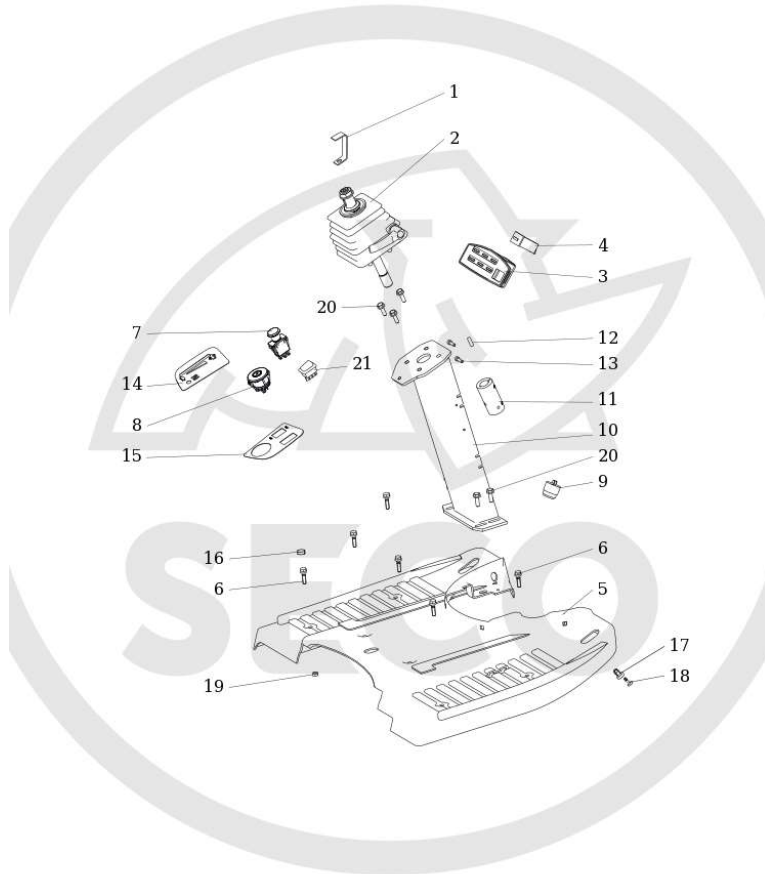
Labels Panther



ID	Name	Item code	No.	UOM	Price
1	Label 0-8730-510	N283292121	2	KS	EUR /
2	Label 0-8732-311	N283292192	1	KS	EUR /
3	Label 0-8732-337	N283292223	2	KS	EUR /
4	Label 0-8732-336	N283292228	1	KS	EUR /
5	Label 0-8732-358 Safety	N283292230	1	KS	EUR /
6	Label 0-8732-444	N283292327	1	KS	EUR /
7	Label 0-8732-544 Diff.lock	N283292425	1	KS	EUR /
8	Label 0-8732-536	N283292432	1	KS	EUR /
9	Label 0-8732-559 Noise 100 dB	N283292437	1	KS	EUR /
10	Label 0-8732-599 4x4	N283292599	2	KS	EUR /
11	Label 0-8732-827	N283292691	1	KS	EUR /
12	Label 0-8732-841	N283292696	1	KS	EUR /
13	Label 1-8732-363 Brake	N283293029	1	KS	EUR /
14	Label. 0-8732-864	N283292718	1	KS	EUR /
16	Label 0-8732-931 mowing lift	N283292789	1	KS	EUR /
17	Label 0-8732-932 mowing lift	N283292790	1	KS	EUR /
20	Label 0-8732-952 Red	N283292798	1	KS	EUR /
21	Label 0-8732-961	N283292815	2	KS	EUR /
24	Label 0-8732-993	N283292840	1	KS	EUR /

Model: KNJ1A-13-0004
Group: KNJ15-12-0003

Panel Panther

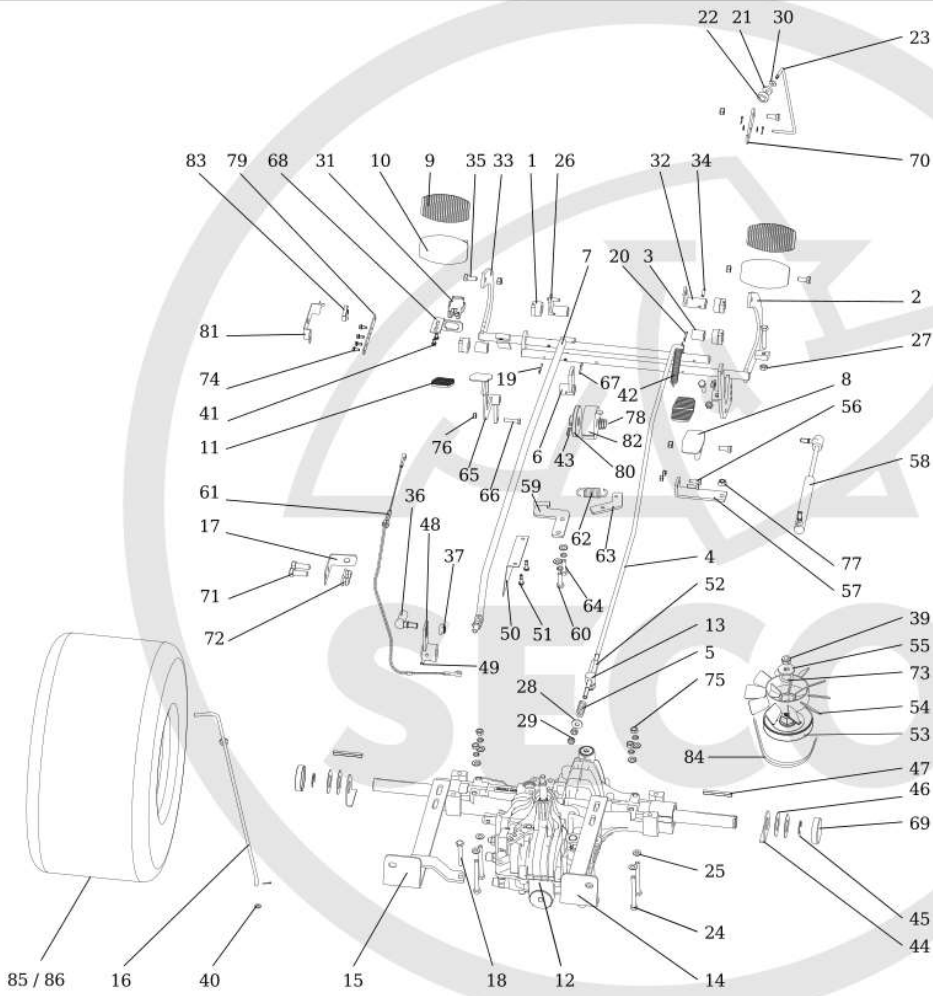


ID	Name	Item code	No.	UOM	Price
1	Rest	S532013409053	1	KS	EUR /
2	Column inclinable AMA 041-955	N532190001	1	KS	EUR /
3	Display KS004037	N443433004	1	KS	EUR /
4	Hour-meter SEN DEC DIGITAL	N443433003	1	KS	EUR /
5	Floor 0-1847-417 M 2000	N532150950	1	KS	EUR /
6	Screw M 8X30 DIN 6921 8.8 Zinc	N309578012	6	KS	EUR /
7	Switch PTO Delta 6201-321	N345329022	1	KS	EUR /
8	Switch box Delta 6900-47 P	N443861007	1	KS	EUR /
9	Buzzer PF 27 A 29 EP	N443312021	1	KS	EUR /
1	Steering column spec.	S532916422073	1	KS	EUR /
11	Shaft connection 0-3522-204	N532151170	1	KS	EUR /
12	Key 6E7X6X28	N311726091	1	KS	EUR /
13	Screw M 6X20 DIN 912 8.8 ZINK	N309503575	2	KS	EUR /
14	Label 0-8732-862	N283292723	1	KS	EUR /
15	Label 0-8732-983 Panel	N283292793	1	KS	EUR /
16	Screw cover MOSS 463638	N532151032	6	KS	EUR /
17	Seating D7-201-802-010	N532150903	4	KS	EUR /
18	Pin D7-201-711-010	N532150904	4	KS	EUR /
19	Nut M 8 DIN 6926 8 Zinc	N532150290	6	KS	EUR /
20	Screw M 8X25 KL 100 RIPP V Zinc	N309503005	7	KS	EUR /
21	Contact	N345329017	1	KS	EUR /

Model: KNJ1A-13-0004

Group: KNJ18-12-0009

Starjet drive and brake control



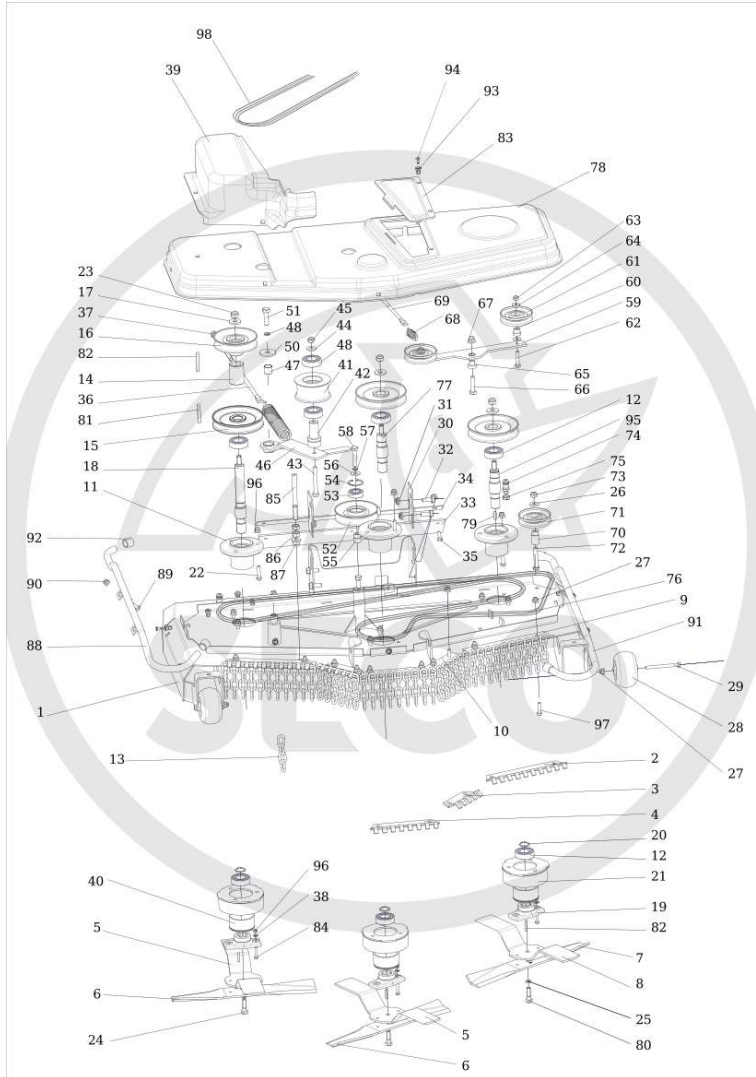
ID	Name	Item code	No.	UOM	Price
1	Bushing 0-9462-202	N722643023	4	KS	EUR /
2	Travel lever	S532980442543	1	KS	EUR /
3	Spacer	S532195203493	2	KS	EUR /
4	Rod 0-8042-250	N532150723	1	KS	EUR /
5	Spring 0-9746-449	N315231171	1	KS	EUR /
6	Arm complete	S532980364823	1	KS	EUR /
7	Travel lever	S532980422203	1	KS	EUR /
8	Reverse pedal	S532980512583	1	KS	EUR /
9	Pedal coating 273 151 010 160	N273151001	2	KS	EUR /
10	Pedal complete	S532980512573	2	KS	EUR /
11	Pedal coating 65 137 Favorit	N273151011	2	KS	EUR /
12	Transmission K664 E Tuff Torq	N532991058	1	KS	EUR /
13	Screw	S532090164473	1	KS	EUR /
14	Holder right	S532113408013	1	KS	EUR /
15	Gearbox holder K62	S532913369613	1	KS	EUR /
16	PULL ROD BYPASS K 66 0-8041-296	N532150722	1	KS	EUR /
17	Bypass K62 holder	S532113408003	1	KS	EUR /
18	SCREW M 8X55	N309201519	1	KS	EUR /
19	Spindle 3.2x25	N311338517	3	KS	EUR /
20	Spindle 3.2x20	N311338516	1	KS	EUR /
21	Washer 0-9620-392 T5	N273192027	1	KS	EUR /
22	Rotary button black Nylon KTSR	N532150993	1	KS	EUR /
23	Parking brake rod 9-8042-228	N532980140	1	KS	EUR /
24	Screw M8x80	N309501571	4	KS	EUR /
25	Washer 8.4	N311210503	5	KS	EUR /
26	Foot complete	S532980365363	1	KS	EUR /
27	Nut M 8	N311150503	4	KS	EUR /
28	Washer 9 Zinc	N311212517	1	KS	EUR /
29	Nut M 8	N311120520	1	KS	EUR /
30	Washer 5.3	N311210501	2	KS	EUR /
31	Switch DELTA 6700-01B	N532150994	1	KS	EUR /
32	Foot complete	S532980365183	1	KS	EUR /
33	Brake pedal	S532980442523	1	KS	EUR /
34	Spring pin 5x20	N315238050	2	KS	EUR /
35	Screw M 8X35	N309503543	1	KS	EUR /
36	Zinc Angle Joint 16Din	N442073003	1	KS	EUR /
37	Nut M 10 DIN 6923 8 Zinc. toothed	N311129516	1	KS	EUR /
38	SAFETY U - STRAP 16 DIN 71805 S Z	N442073006	1	KS	EUR /
39	Nut M 10	N311129502	2	KS	EUR /
40	Washer 6.4	N311210502	1	KS	EUR /
41	Screw ST 4,2X13 DIN7504-K BN1880	N309315012	1	KS	EUR /
42	Spring 0-9746-445	N315231161	1	KS	EUR /
43	Spring Pin 5X22	N315238037	1	KS	EUR /

44	Washer	S532092208553	2	KS	EUR /
45	Lock ring SE-98 1	N311732024	2	KS	EUR /
46	Washer	S532092208083	10	KS	EUR /
47	Spring	S532092312243	2	KS	EUR /
48	LEVER - COMPLETE	S532929462053	1	KS	EUR /
49	Spring pin 6X40	N315238049	1	KS	EUR /
50	COVER	S532113308233	1	KS	EUR /
51	Screw ST 5.5X19 BN 1880	N309315010	2	KS	EUR /
52	Screw 0-8011-246 K62	N309599043	1	KS	EUR /
53	Travel pulley	S532933252883	1	KS	EUR /
54	Fan 1 A 632 085 100	N532150760	1	KS	EUR /
55	Washer 11	N311212507	1	KS	EUR /
56	Screw M 6X20	N309503548	2	KS	EUR /
57	HOLDER	S532014409223	1	KS	EUR /
58	Travel damper K22-99 AGS 283	N532150169	1	KS	EUR /
59	Holder	S532913462813	1	KS	EUR /
60	Screw M8X30 DIN 7500D BN 3326	N309578518	2	KS	EUR /
61	Cable 9-8074-301	N443900116	1	KS	EUR /
62	Spring 0-9746-493 Diff.lock	N315231239	1	KS	EUR /
63	Foot complete	S532980365163	1	KS	EUR /
64	Screw M 8X25	N309503512	1	KS	EUR /
65	AXLE LOCK PEDAL	S532980552073	1	KS	EUR /
66	Screw M 6X30	N309503573	1	KS	EUR /
67	Spring pin 5x20	N315238050	1	KS	EUR /
68	Switch holder	S532113405003	1	KS	EUR /
69	Black cover GPN 690/3004	N532151024	2	KS	EUR /
70	Latch	S532037322233	1	KS	EUR /
71	Screw M 10X30	N309503510	2	KS	EUR /
72	Nut M 10 DIN 6926 Zinc	N311129523	2	KS	EUR /
73	Ring 28x1,5 NBR DIN3770	N273111060	1	KS	EUR /
74	Screw M8X20	N309503518	4	KS	EUR /
75	Nut M 8	N311129501	5	KS	EUR /
76	Nut M 6	N311129513	4	KS	EUR /
77	Nut M 8 DIN 6926 8 Zinc	N532150290	7	KS	EUR /
78	Spring 0-9746-488	N315231236	1	KS	EUR /
79	Holder	S532113308993	1	KS	EUR /
80	Brake Wheel	S532094214403	1	KS	EUR /
81	SWITCH COVER	S532085415823	1	KS	EUR /
82	El.Magnet.Rate 9-8032-214	N358352009	1	KS	EUR /
83	Switch 1022.4501 9-8319-506	N345329020	1	KS	EUR /
84	V-belt VB 13x2620LI Optibelt	N272731252	1	KS	EUR /
85	Wheel rear R 20x10.00-8 TRAC MAST	N532940180	1	KS	EUR /
86	Wheel rear L 20x10.00-8 TRAC MAST	N532940179	1	KS	EUR /

Model: **KNJ1A-13-0004**

Group: **KNJ20-11-0001**

Starjet mower deck 110 cm - 4x4



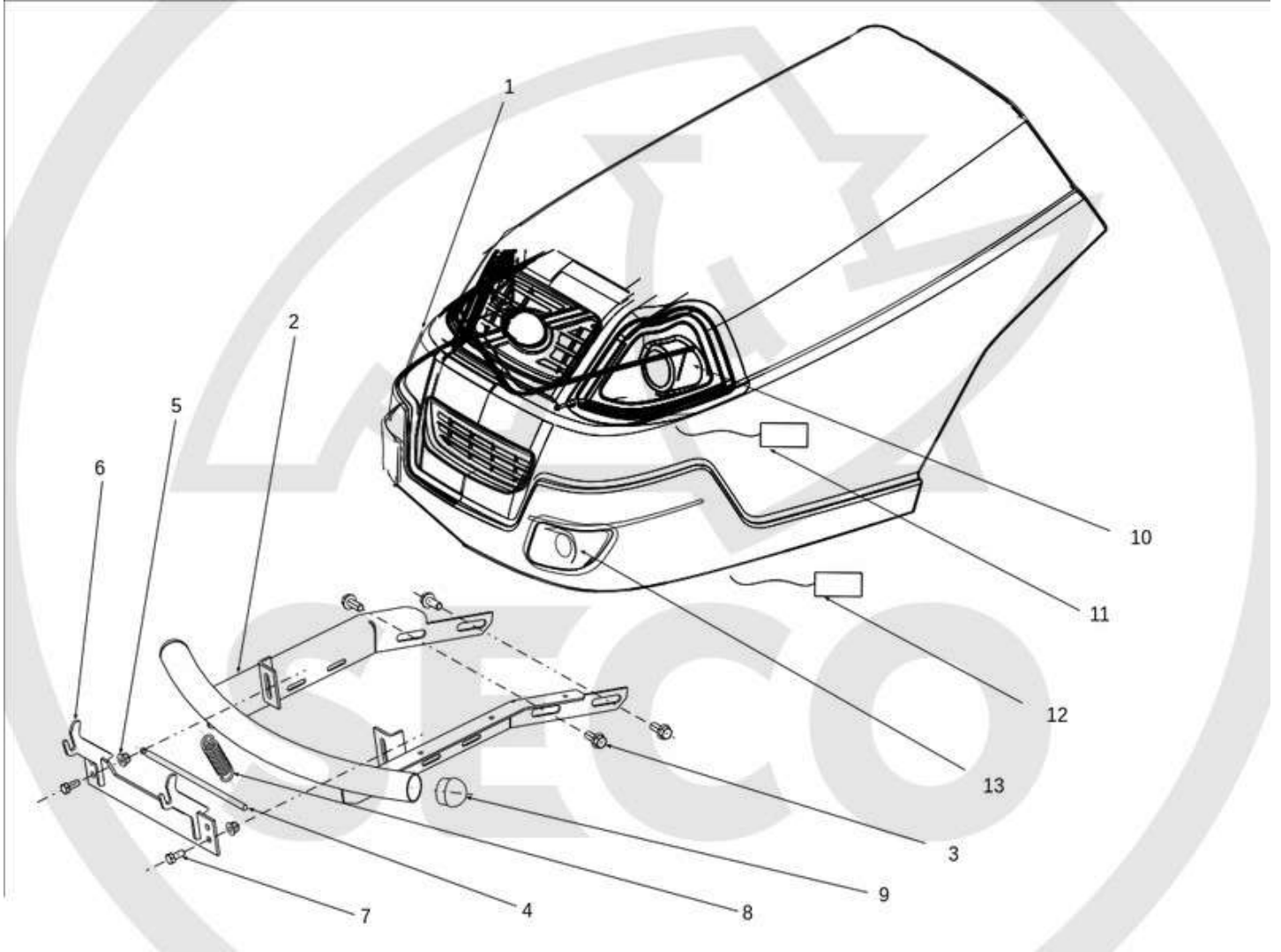
ID	Name	Item code	No.	UOM	Price
1	Cover complete	S532950472273	1	KS	EUR /
2	HOLDER	S532113415403	2	KS	EUR /
3	HOLDER	S532113415443	2	KS	EUR /
4	HOLDER	S532113415393	1	KS	EUR /
5	Blade right (110)	S532050422793	2	KS	EUR /
6	Blade right (110)	S532050422783	2	KS	EUR /
7	Blade left (110)	S532050422813	1	KS	EUR /
8	Blade left (110)	S532050422803	1	KS	EUR /
9	Chain holder	S532013409043	2	KS	EUR /
10	Chain holder	S532013425703	1	KS	EUR /
11	Flange	S532038523903	1	KS	EUR /
12	Bearing 6205 2 RS C 66IB	N324162099	6	KS	EUR /
13	Chain A6/4 . 9-8558-200	N318112030	43	KS	EUR /
14	Case	S532094207933	1	KS	EUR /
15	Pulley complete 9-3371-318	N532151200	3	KS	EUR /
16	Pulley complete	S532033253893	1	KS	EUR /
17	Washer	S532092207273	3	KS	EUR /
18	SHAFT	S532038128353	1	KS	EUR /
19	Flange	S532098212463	3	KS	EUR /
20	Lock ring 25	N311733014	3	KS	EUR /
21	Flange cover	S532938522443	3	KS	EUR /
22	Screw M 8X35	N309503543	9	KS	EUR /
23	Nut M 12	N311129505	3	KS	EUR /
24	Screw 0-9011-287 M10	N309599017	2	KS	EUR /
25	WASHER 10 RIPP LOCK	N311219523	3	KS	EUR /
26	Washer 11 Zinc	N311212521	1	KS	EUR /
27	Nut M 8 DIN 6926 8 Zinc	N532150290	28	KS	EUR /
28	Cutting wheel Etop 100-8,2	N532940128	2	KS	EUR /
29	Screw M 8X90	N309501567	2	KS	EUR /
30	Foot	S532113309493	2	KS	EUR /
31	Nut M10 RIPP KL 10 BN 2798	N311129522	4	KS	EUR /
32	Screw M10X25KL100 Ripp. V. DACROM	N309578529	4	KS	EUR /
33	Shield 0-8530-621 rubber T4	N273192044	1	KS	EUR /
34	Belt	S532085306223	1	KS	EUR /
35	Screw M8X20	N309503518	3	KS	EUR /
36	Tension rod 0-8031-225	N532151140	1	KS	EUR /
37	Nut M 10	N311150506	2	KS	EUR /
38	Washer 6.4	N311210502	6	KS	EUR /
39	Belt cover 0-8547-805	N532151143	1	KS	EUR /
40	Flange cover	S532938522453	3	KS	EUR /
41	Pulley	S532033253873	1	KS	EUR /
42	Case	S532094215933	1	KS	EUR /
43	Screw M 10X80	N309501527	1	KS	EUR /

44	Washer 11 Zinc	N311212521	1	KS	EUR /
45	Nut M 10	N311129502	1	KS	EUR /
46	HOLDER	S532913413273	1	KS	EUR /
47	Bushing 1920 KU	N323721002	1	KS	EUR /
48	Bearing 6205 2 RS C 66IB	N324162099	2	KS	EUR /
49	Washer 12	N311214504	1	KS	EUR /
50	Washer 14	N311212506	1	KS	EUR /
51	Screw M12X40	N309503505	1	KS	EUR /
52	Pulley	S532033253883	1	KS	EUR /
53	Bearing 6203 2 RS C 66 IB	N324162098	1	KS	EUR /
54	Lock ring 40	N311733079	1	KS	EUR /
55	Bushing	S532094214473	1	KS	EUR /
56	Washer 11 Zinc	N311212521	1	KS	EUR /
57	Washer 10	N311214503	1	KS	EUR /
58	Screw M 10x50	N309503526	1	KS	EUR /
59	Tension pulley-holder	S532913322953	1	KS	EUR /
60	Pin	S532093212633	2	KS	EUR /
61	Pulley Compensa C-00237/2	N532150784	2	KS	EUR /
62	Screw M 8X40	N309503544	2	KS	EUR /
63	Nut M 8	N311129501	2	KS	EUR /
64	WASHER 9	N311212043	4	KS	EUR /
65	Bushing	S532094214513	1	KS	EUR /
66	Screw M 10x45	N309203544	1	KS	EUR /
67	Nut M 10 DIN 6926 Zinc	N311129523	1	KS	EUR /
68	Spring 0-9746-505 3.2	N315231266	1	KS	EUR /
69	Tension rod 0-8031-226	N532151139	1	KS	EUR /
70	Bushing	S532094214173	1	KS	EUR /
71	Pulley Compensa C-00237/2	N532150784	1	KS	EUR /
72	Screw M 10X60	N309503519	1	KS	EUR /
73	Nut M 10	N311129502	1	KS	EUR /
74	Quickfastener	S532990362343	2	KS	EUR /
75	Nut M 12	N311120511	2	KS	EUR /
76	V-belt AA 126 Multiflex Twin	N272731229	1	KS	EUR /
77	SHAFT	S532038128373	1	KS	EUR /
78	Cutting deck 110 0-8547-804	N532151144	1	KS	EUR /
79	Spring 8E7X7X22	N311726092	2	KS	EUR /
80	Screw 0-9011-283 M10 Left	N309599008	1	KS	EUR /
81	Spring 8E7X7X56	N311726093	2	KS	EUR /
82	Key 6E7X6X28	N311726091	3	KS	EUR /
83	Spring cover 0-8547-806	N532151145	1	KS	EUR /
84	Screw M 6X30	N309503573	6	KS	EUR /
85	Stop	S532013102223	1	KS	EUR /
86	Nut M 12 DIN 6926	N311129526	1	KS	EUR /
87	Nut M 12	N311150505	2	KS	EUR /
88	Safety frame Right (4x4)	S532913452083	1	KS	EUR /

89	Screw M8X20	N309503518	4	KS	EUR /
90	Washer 8.4	N311210503	4	KS	EUR /
91	Safety frame Left (4x4)	S532913452073	1	KS	EUR /
92	Cover Ferule 18mm 465377 MOSS	N532151142	4	KS	EUR /
93	Seating D7-201-802-010	N532150903	10	KS	EUR /
94	Pin D7-201-711-010	N532150904	10	KS	EUR /
95	SHAFT	S532038128363	1	KS	EUR /
96	Nut M 6	N311129513	6	KS	EUR /
97	Screw M 8X30	N309503515	10	KS	EUR /
98	V-belt 17x1732 LP Optibelt	N272731251	1	KS	EUR /

Model: KNJ1A-13-0004
Group: KNJ21-10-0015

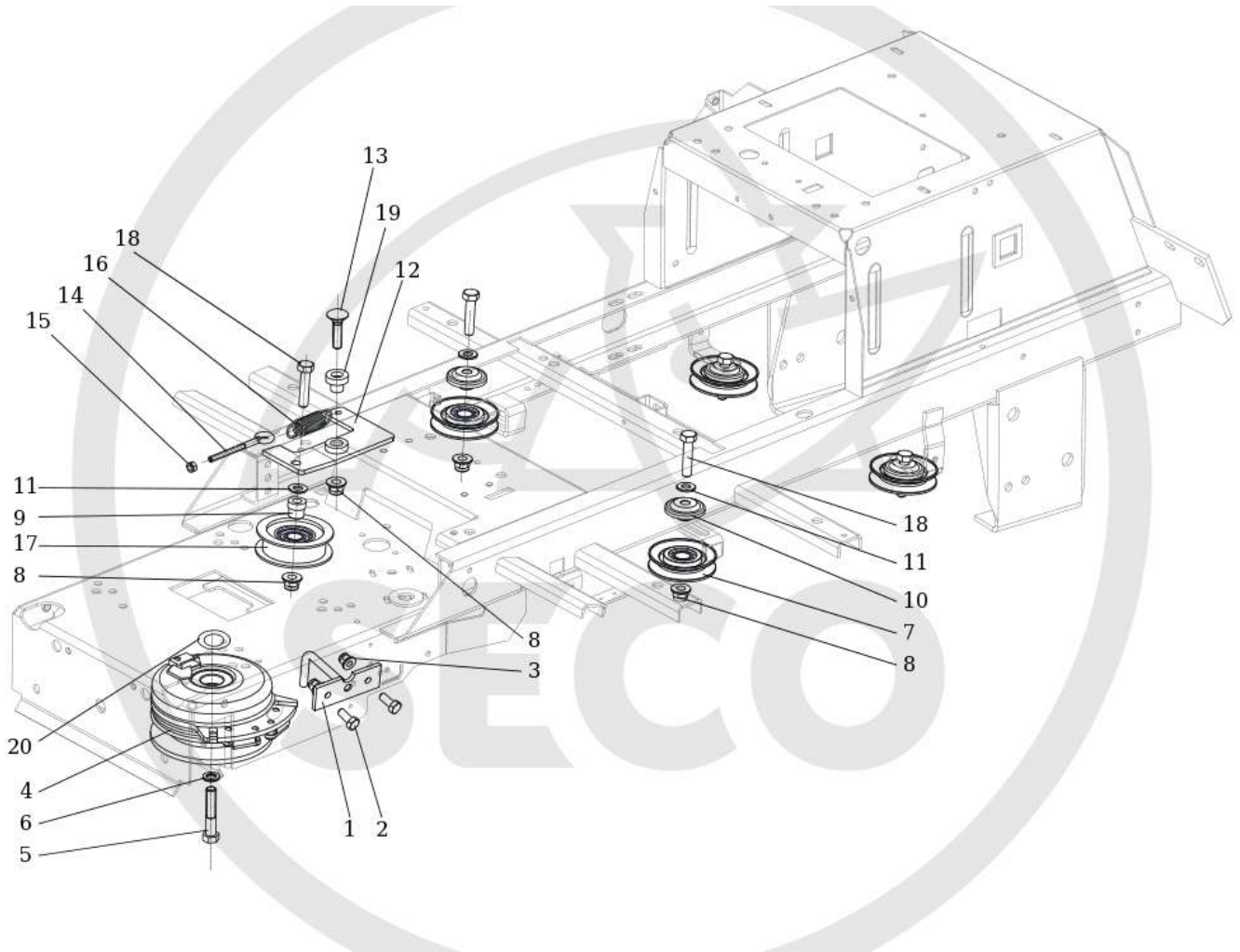
Starjet engine hood



ID	Name	Item code	No.	UOM	Price
1	Hood 9-1849-367 Volvo	N532151060	1	KS	EUR /
2	Bumper 4X4	S532918452113	1	KS	EUR /
3	Screw M 8X25 KL 100 RIPP V Zinc	N309503005	4	KS	EUR /
4	Safety bar	S532013102143	1	KS	EUR /
5	Nut M 8 DIN 6926 8 Zinc	N532150290	2	KS	EUR /
6	Hood holder	S532913403123	1	KS	EUR /
7	Screw M 8X25	N309503512	2	KS	EUR /
8	Spring 0-9746-472	N315231203	1	KS	EUR /
9	Dished plug 40mm	N321841087	2	KS	EUR /
10	Halogen lightbulb MR 16 PR.50MM 1	N347411002	2	KS	EUR /
11	Screw cap 9-8316-619	N443953006	2	KS	EUR /
12	Bulb harness 9-8316-605	N341271105	1	KS	EUR /
13	Halogen lightbulb MR 11 PR.38MM 1	N347411003	2	KS	EUR /

Model: KNJ1A-13-0004
Group: KNJ22-10-0002

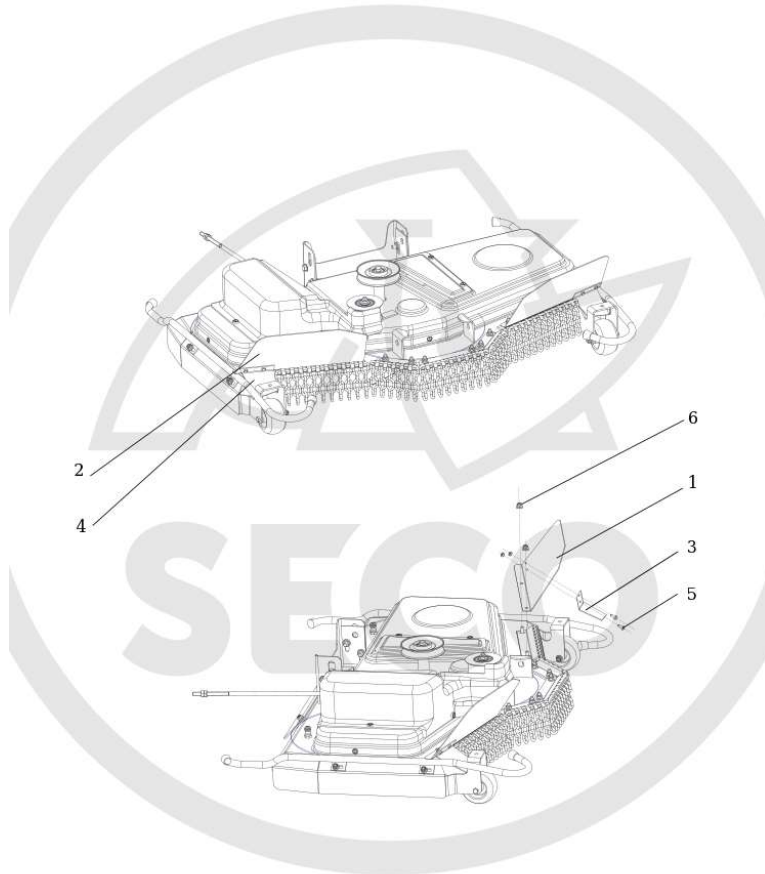
Starjet el. clutch and pulley



ID	Name	Item code	No.	UOM	Price
1	Clutch stopper	S532936362263	1	KS	EUR /
2	Screw M 6X20	N309503548	2	KS	EUR /
3	Nut M 6 DIN 6926	N311129525	2	KS	EUR /
4	Elmag .clutch MSS-80HC	N000532010	1	KS	EUR /
5	Screw 7/16 X 2 3/4 Unf Zinc	N309579506	1	KS	EUR /
6	Washer NL 11 glued Dacromet	N311219516	1	KS	EUR /
7	Pulley Compensa C-00237/1	N532150824	4	KS	EUR /
8	Nut M 10 DIN 6926 Zinc	N311129523	6	KS	EUR /
9	Bushing	S532094214183	1	KS	EUR /
10	Cover C-00693 Compensa	N532151119	4	KS	EUR /
11	Washer 10.5	N311210504	3	KS	EUR /
12	Holder complete	S532913322763	1	KS	EUR /
13	Screw M 10x40 Zinc.	N309019529	1	KS	EUR /
14	Screw M 6x80 with eye BN1006 Zinc	N309578523	1	KS	EUR /
15	Nut M 6	N311129513	1	KS	EUR /
16	Spring TZ 2x14x62 Zinc	N315231111	1	KS	EUR /
17	Pulley plastic BBT B18 337	N532150733	1	KS	EUR /
18	Screw M 10x45	N309203544	5	KS	EUR /
19	Bushing	S532094214513	1	KS	EUR /
20	Distance ring	S532092208583	1	KS	EUR /

Model: KNJ1A-13-0004
Group: KNJ23-11-0001

Mowing deck n.2 - covers

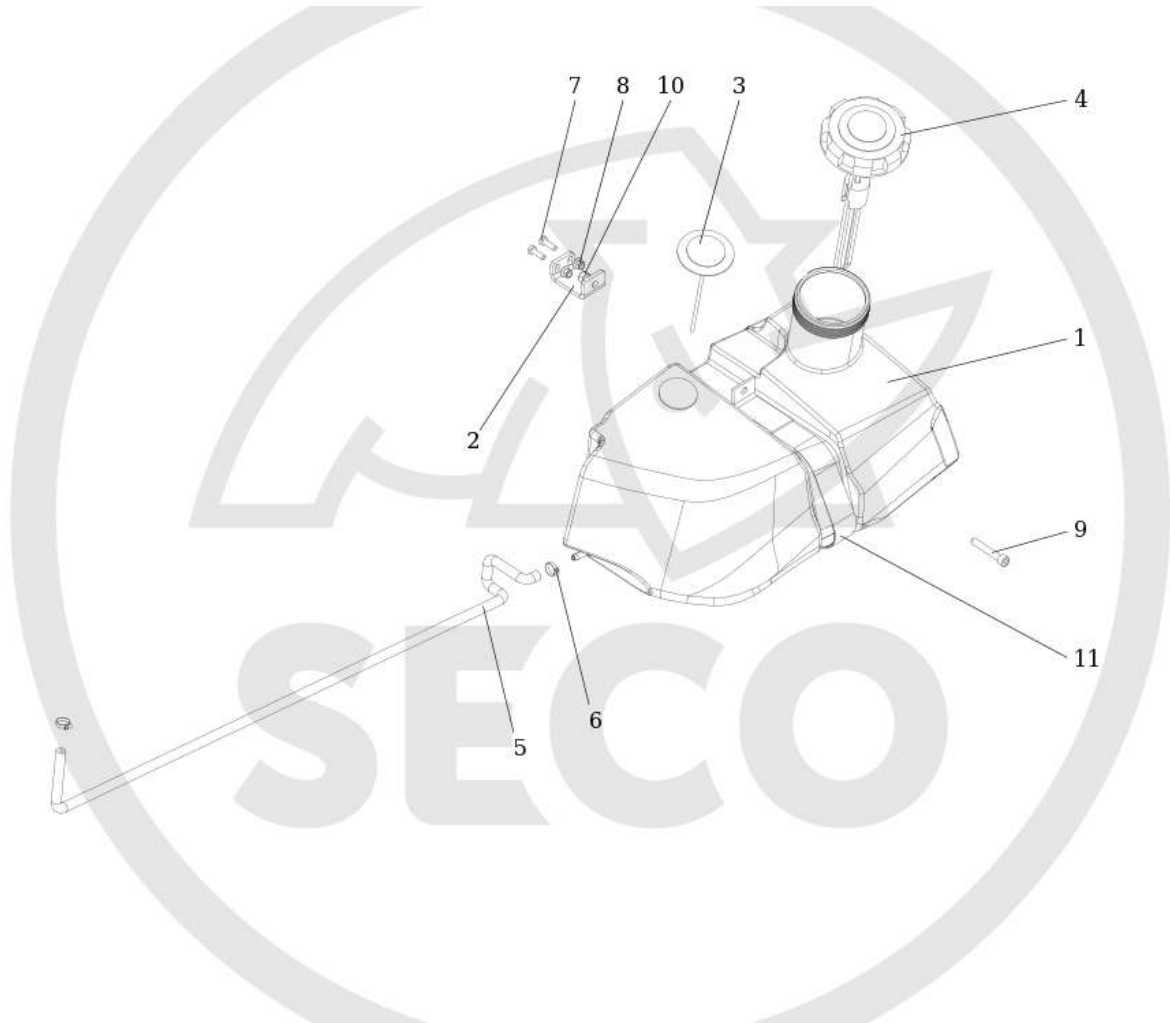




ID	Name	Item code	No.	UOM	Price
1	Cutting deck L.	S532085406403	1	KS	EUR /
2	Cutting deck R.	S532085406413	1	KS	EUR /
3	Cutting deck L.	S532085406423	1	KS	EUR /
4	Cutting deck R.	S532085406433	1	KS	EUR /
5	Screw M 6X14	N309203540	4	KS	EUR /
6	Nut M 6	N311129513	4	KS	EUR /

Model: KNJ1A-13-0004
Group: KNJ25-12-0001

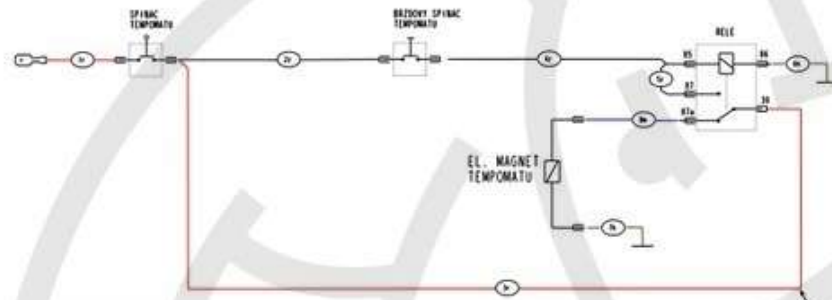
Fuel tank



ID	Name	Item code	No.	UOM	Price
1	Fuel tank 0-2766-218	N232130019	1	KS	EUR /
2	Holder	S532013425493	1	KS	EUR /
3	Fuel reserve indicator COBO	N443422004	1	KS	EUR /
4	Cap Target 350 6007 length 11"	N321841088	1	KS	EUR /
5	Fuel hose	S532199202463	1	KS	EUR /
6	Clip UM 5008	N000532058	2	KS	EUR /
7	Screw M 6X20	N309503548	2	KS	EUR /
8	Nut M 6 DIN 6926	N311129525	2	KS	EUR /
9	Screw M 8x50 DIN 912 8.8 ZN	N309503574	1	KS	EUR /
10	Screw M 8x50 DIN 912 8.8 ZN	N309503574	1	KS	EUR /
11	Clip complete	S532913424313	1	KS	EUR /

Model: KNJ1A-13-0004
Group: KNJ26-10-0001

Scheme of the speed control conne

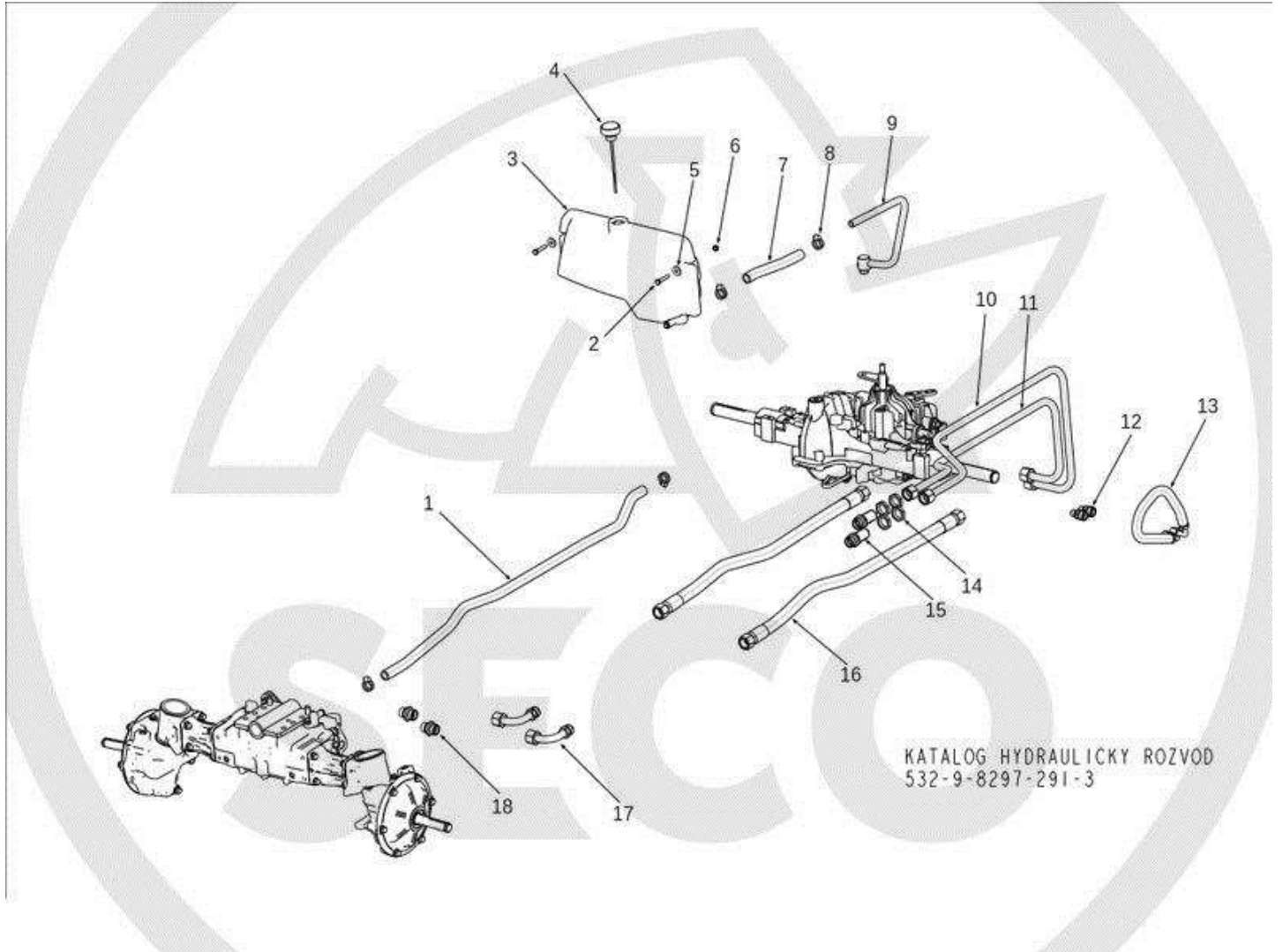




ID	Name	Item code	No. UOM	Price
1	SET OF CRUISE CONTROL CONDUCTORS	N341271154	1 KS	EUR /

Model: KNJ1A-13-0004
Group: KNJ19-10-0001

Starjet hydraulic distribution



KATALOG HYDRAULICKY ROZVOD
532-9-8297-291-3

ID	Name	Item code	No.	UOM	Price
1	Hose exp. 13X950	S532082204193	1	KS	EUR /
2	Screw M 6X35	N309203559	2	KS	EUR /
3	Expansion tank 0-2766-213	N532151023	1	KS	EUR /
4	stop gap 1-9310-428	N532151022	1	KS	EUR /
5	Washer 6.6	N311212520	2	KS	EUR /
6	Nut M 6	N311129513	2	KS	EUR /
7	Hose exp. 13X220	S532082204183	1	KS	EUR /
8	Wire screw-in clip W19-22mm	N548241022	4	KS	EUR /
9	Throat complete 9-8246-209	N532991059	1	KS	EUR /
10	Lower pipe complete	N532151021	1	KS	EUR /
11	Top pipe complet 9-7446-212	N532151020	1	KS	EUR /
12	Throat 9/16-18 UNF/M18x1.5DIN2353	N336681015	2	KS	EUR /
13	Hydraulic hose DN10-580	N336631108	1	KS	EUR /
14	Nut KML-15	N336681014	4	KS	EUR /
15	Clutch SVL-15 direct panel	N336681011	2	KS	EUR /
16	Hydraulic hose DN12-620	N336631109	2	KS	EUR /
17	Angular extender 15	N442073030	2	KS	EUR /
18	Throat XAL 15-3/4 UNF WD	N336681010	2	KS	EUR /