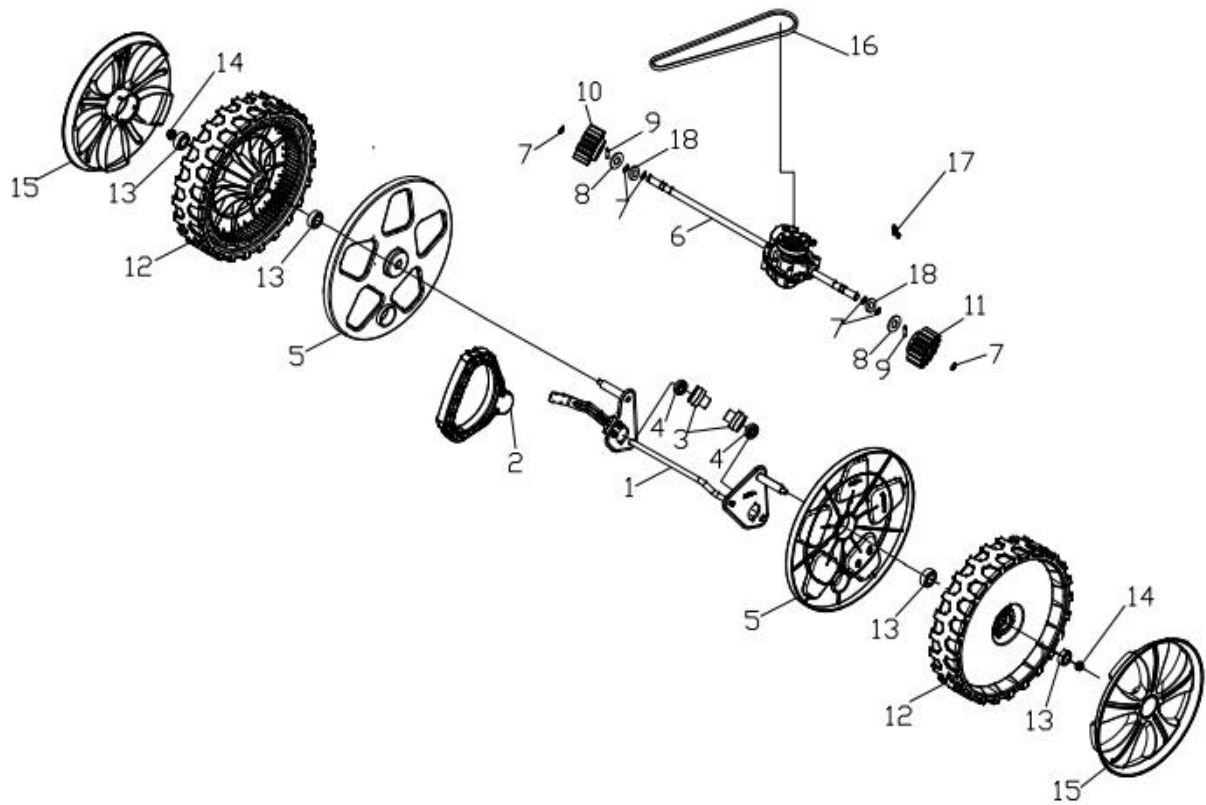


Drawing No.:	455941-4	Date :
Product model :	S530VHY-W	
Component name :	Rear drive & Transmission	Remark :



序号	物料号	零件名称	英文名称	数量
1	70850670000	S530VH自走式后驱焊接总成	rear drive assy.	1
2	20260010060	调高把手	height adjustment ball	1
3	70600110000	粉末冶金轴套	bush	2
4	60020010000	深沟球轴承 6001RS	bearing	2
5	20610060130	C型11英寸轮自走内盖	inner cover of hub	2
6	70860400000	AL480/S530-GT(硬离合)-2#	selfpropelled assy.	1
7	60240060000	轴用弹性挡圈 Φ12	spring washer	6
8	21070040000	棘轮垫片	selfpropelled ratchet washer	2
9	60290070000	棘轮销5#	bratchet pin	2
10	70300190000	棘轮左-L	Ratchet Wheel L	1
11	70300200000	棘轮右-L	Ratchet Wheel L	1
12	20880150130	C型11英寸轮子总成	wheel assy.	2
13	60010100000	R8-2RS轴承 12.65xΦ28.6x8	bearing	4
14	60150090000	全金属法兰面锁紧螺母 M8	Self-locking nut	2
15	20620100060	C型11英寸轮毂外盖	outer cover of hub	2
16	60320020000	普通V带-Z (Li=750)	V belt	1
17	60410240000	自走拉簧	selfpropelled spring	1
18	20430140000	高轮内盖衬套	rear wheel axle sleeve	2

