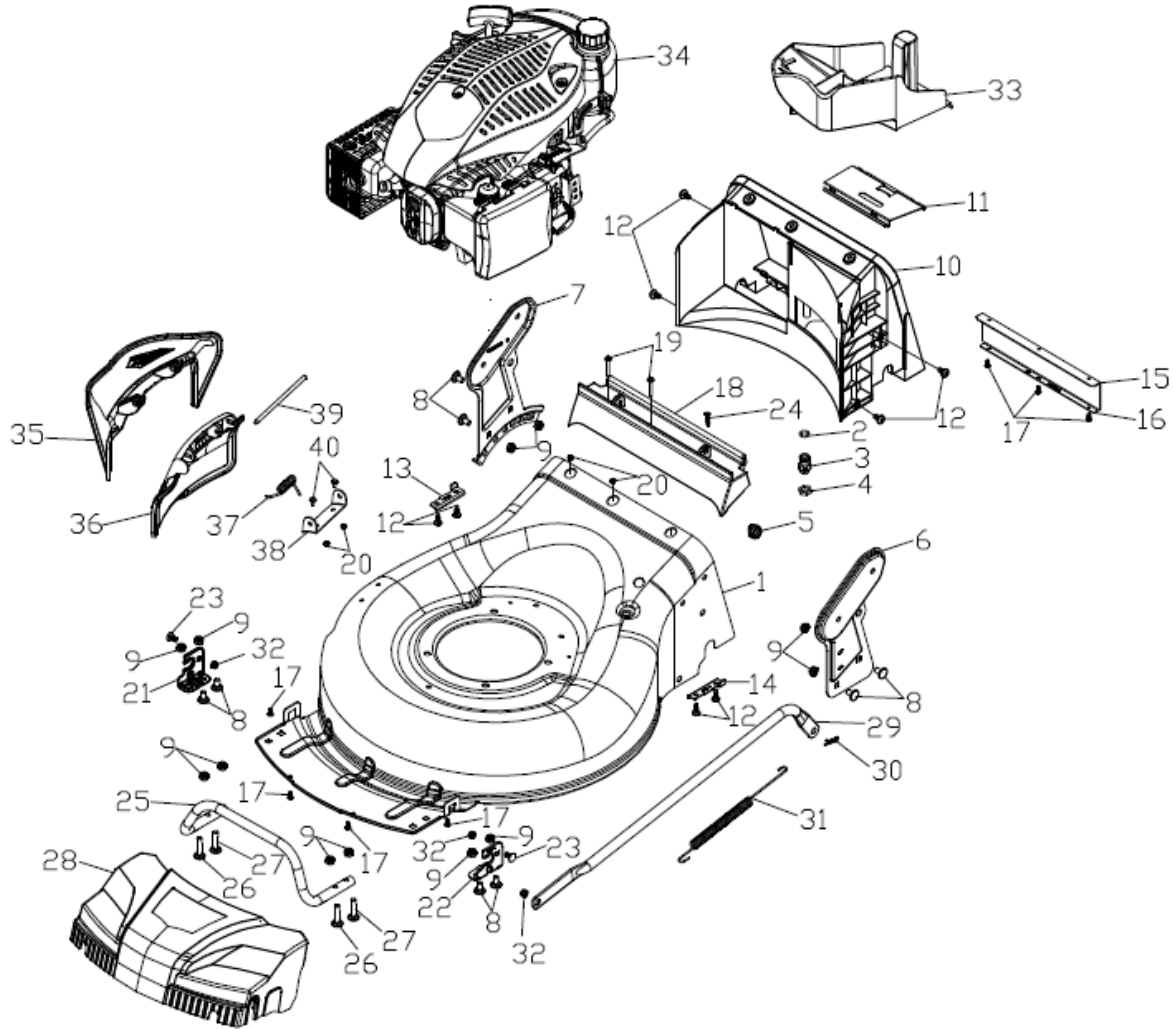


Drawing No.:	455941-2	Date :
Product model :	S530VHY-W	
Component name :	Engine & deck	Remark :



序号	物料号	零件名称	英文名称	数量
1	70740310130	S530侧排底盘	deck welding assy.	1
2	60370020000	O型圈 $\phi 11.2 \times \phi 2.65$	"O" ring	1
3	20460010000	进水管	inlet	1
4	60160010000	水管接头大螺母 M12X1.25	Pipe connector nut	1
5	20590020000	拉线堵头	cable stopper	1
6	70070110000	左侧板	left handle bracket	1
7	70070050000	右侧板	right handle bracket	1
8	60040100000	大半圆头方劲螺栓 M8X16	Half round head square neck bolts	8
9	60150020000	II型尼龙自锁螺母 M8	Hex lock nut	12
10	20400060000	后挡板 (开口)	rear baffle	1
11	70270010000	后挡板底座	Rear Baffle	1
12	60170290000	十字槽平圆头自攻螺钉ST6.3 *14	Phillips flat head self tapping screw	8
13	70290050000	后驱压板-右	rear drive right bracket	1
14	70290070000	后驱压板-左	rear drive left bracket	1
15	20750040000	橡胶防尘板 (AL480)	rubber dust proof board	1
16	70330010000	橡胶防尘板底板	baseplate for rubber dust shield	1
17	60170300000	十字槽平圆头自攻螺钉ST4.2 *14	Phillips flat head self tapping screw	7
18	20390010000	后草盖底座	rear discharge base	1
19	60060070000	六角法兰面螺栓 M5X30	Bolt	2

20	60150060000	II型尼龙自锁螺母 M5/8.8级	Self-locking nut	4
21	70470010000	前驱右底座	right pedestal for front drive	1
22	70470020000	前驱左底座	left pedestal for front drive	1
23	60040030000	大半圆头方颈螺栓 M6X12	Half round head square neck bolts	2
24	60170450000	十字槽盘头自攻螺钉 ST6.3*30	Cross recessed countersunk head tapping screws	1
25	70450030140	前保险杠	front bumper	1
26	60040150000	大半圆头方颈螺栓 M8X25	Half round head square neck bolts	2
27	60040090000	大半圆头方颈螺栓 M8X30	Half round head square neck bolts	2
28	20200040000	前底盘面罩	deck front mask	1
29	70180260130	调高拉杆	Height Adjustment Pull Rod	1
30	60270010000	W弹簧销	spring pin	1
31	60410080000	拉杆拉簧	Pull Spring for Pull Rod	1
32	60150110000	全金属法兰面锁紧螺母(发黑) M6	Self-locking nut	3
33	20160060000	堵草板	mulching plug	1
34	19950180000	T575加浓II, 定速, 刹车S3轴	petrol engine	1
35	20110030000	侧排导草板	side discharge cover	1
36	20120030000	侧排覆盖	mulching board	1
37	60390060000	侧排覆盖扭簧	mulch board spring	1
38	70060030130	侧排支架	Bracket plate for defelctor	1
39	70030060000	侧排覆盖轴	Mulch Shaft	1
40	60060040000	六角法兰面螺栓 M5X10	Bolt	2