



PREMIER XT RANGE

GB CONCRETE MIXER PARTS CATALOGUE

854/10145/6

Belle Group Sheen UK

Sheen, Nr.Buxton, Derbyshire, SK17 0EU, GB.

☎ +44 (0)1298 84050 📠 +44 (0)1298 84901

@ : spares@belle-group.co.uk

<http://www.belle-group.co.uk>

05/04

INTRODUCTION

The Company retains the right to make alterations to the design and specifications of the machine at any time, without notice. Also the company accepts no responsibility for any discrepancies, between machine specifications and descriptions contained within this publication. Liability for loss or damage resulting from the following statements inclusive of any/omissions cannot be accepted by the Company.

INSTRUCTIONS FOR ORDERING PARTS

Due to the complex listing of parts available for your machine, may we recommend that the simple procedure below is followed at all times. In this way you will be assured of receiving the correct parts within a minimum period of time.

- Contact your nearest MIXER Dealer.
- Quote the serial numbers of both your machine and it's engine.
- Detail the part required, by item number and description, and also state the quantity you require.

FOR YOUR FUTURE REFERENCE;

List relevant details below.

YOUR LOCAL DISTRIBUTOR;

Name

Address

.....

.....

Post Code

Telephone

Fax

Machine Serial No.

Engine Serial No.

SAFETY NOTICE

When ordering replacement parts to which safety decals were originally attached, the appropriate safety decals must be ordered and fitted.

CONTENTS

PART NUMBER REFERENCE LIST

0-01

| | |
|-------|--------------------------------------|
| 0-01 | Part Number Reference |
| 1-01 | Frame Assembly - 100-150XT |
| 1-02 | Frame Assembly - 175-200XT |
| 2-01 | Door Assembly |
| 3-01 | Wheel Assembly |
| 4-01 | Yoke Assembly |
| 5-01 | Gear Box Assembly |
| 6-01 | Engine Assembly (Lister) |
| 7-01 | Engine Assembly (Yanmar → OCT'01) |
| 7-02 | Engine Assembly (Yanmar ↪ OCT'01) |
| 8-01 | Funnel Assembly / Battery Assembly |
| 9-01 | Motors Assembly |
| 10-01 | Hourmeter Assembly (Lister & Yanmar) |

EXAMPLE

| Item | Part Number |Quantity | ..Description |
|------|-------------|---------------|---------------|
| 1 | | | |
| 2 | | | |
| 3 | | | |
| 4 | | | |
| 5 | | | |
| 6 | | | |
| 7 | | | |
| 8 | | | |

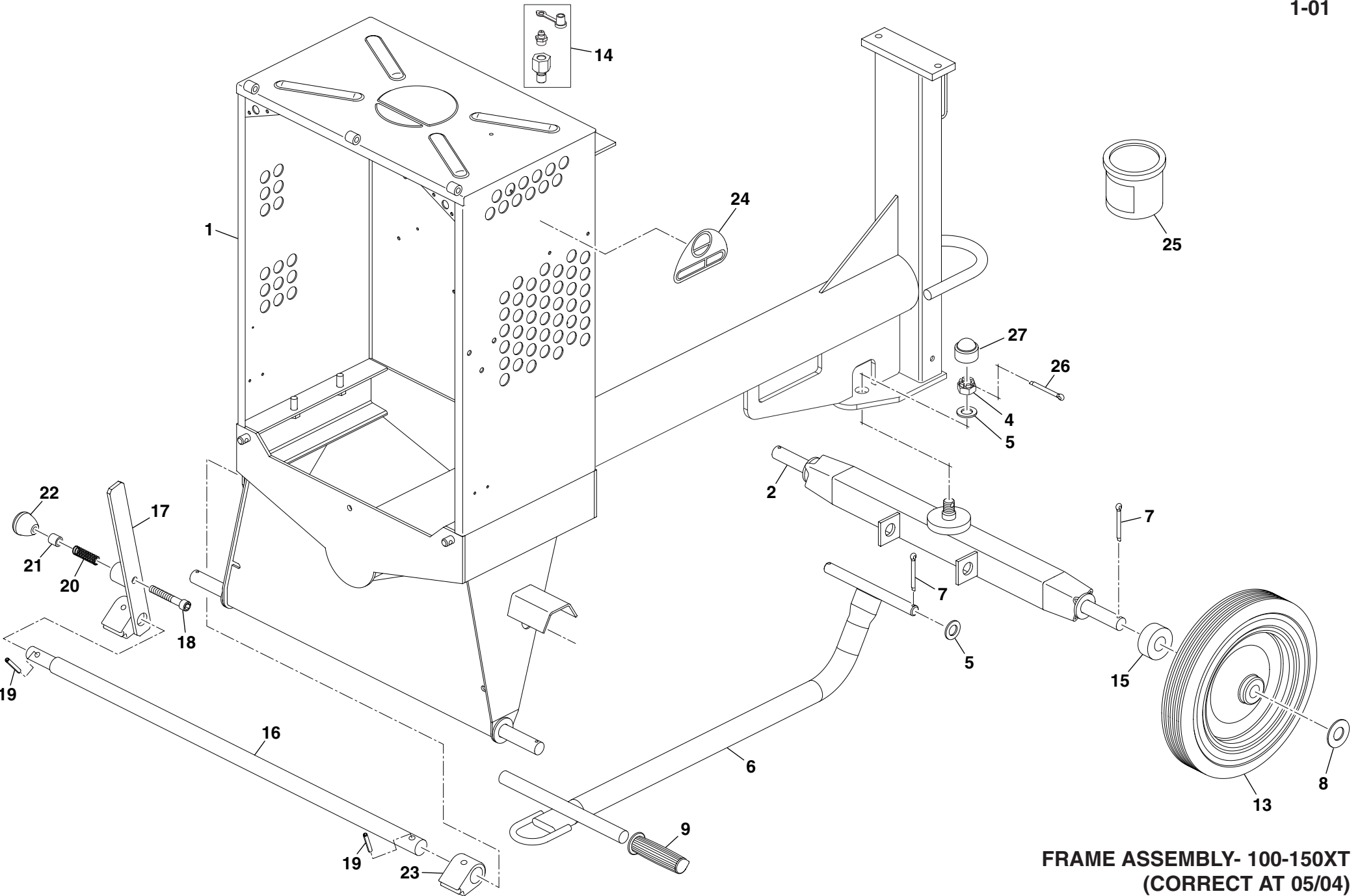
EXPLANATION

| | |
|-------------|--------------------------------|
| Item | Illustration reference number. |
| Part number | The items part number. |
| Quantity | Quantity required. |
| Description | Description of the part. |
| Remarks | See symbols and notes. |

The quantity shown, is the quantity required for the particular application that is illustrated where these parts are components of an assembly, this refers to the quantity in one assembly or sub-assembly.

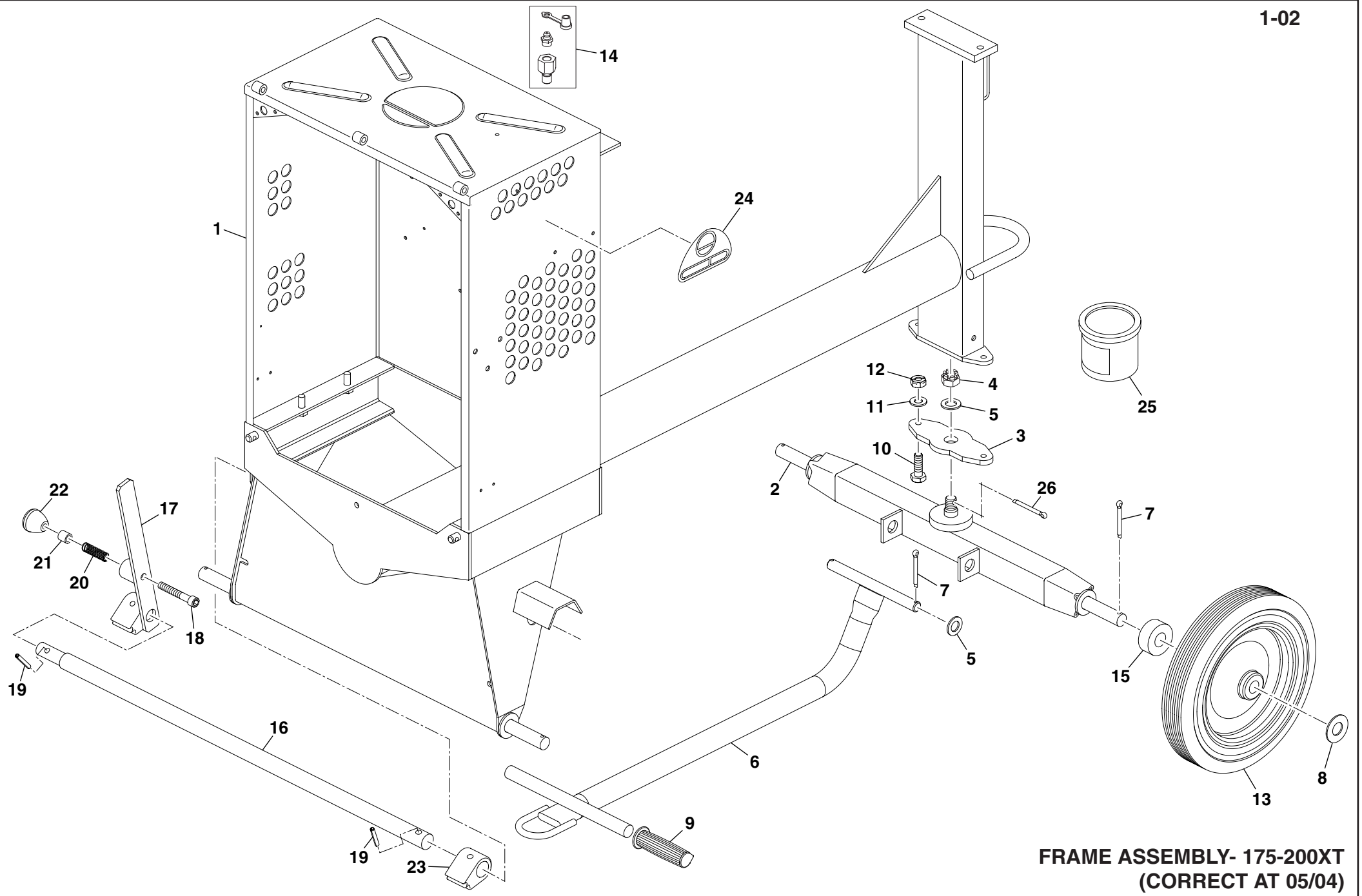
SYMBOLS AND NOTES

| | |
|-----------|---|
| ↪ | From serial number or engine number. |
| → | Upto serial number or engine number. |
| ●○ | Cancel and replaces. |
| 👁 | See page "Reference number". |
| ⇒ | Order. |
| ▶ | Right. |
| ◀ | Left. |
| <u>NS</u> | Not sold. |
| <u>C</u> | Cancel. |
| <u>CB</u> | Consult Belle Engineering Parts Department. |
| A/R | As required. |
| 🔧 | Seal kit. |



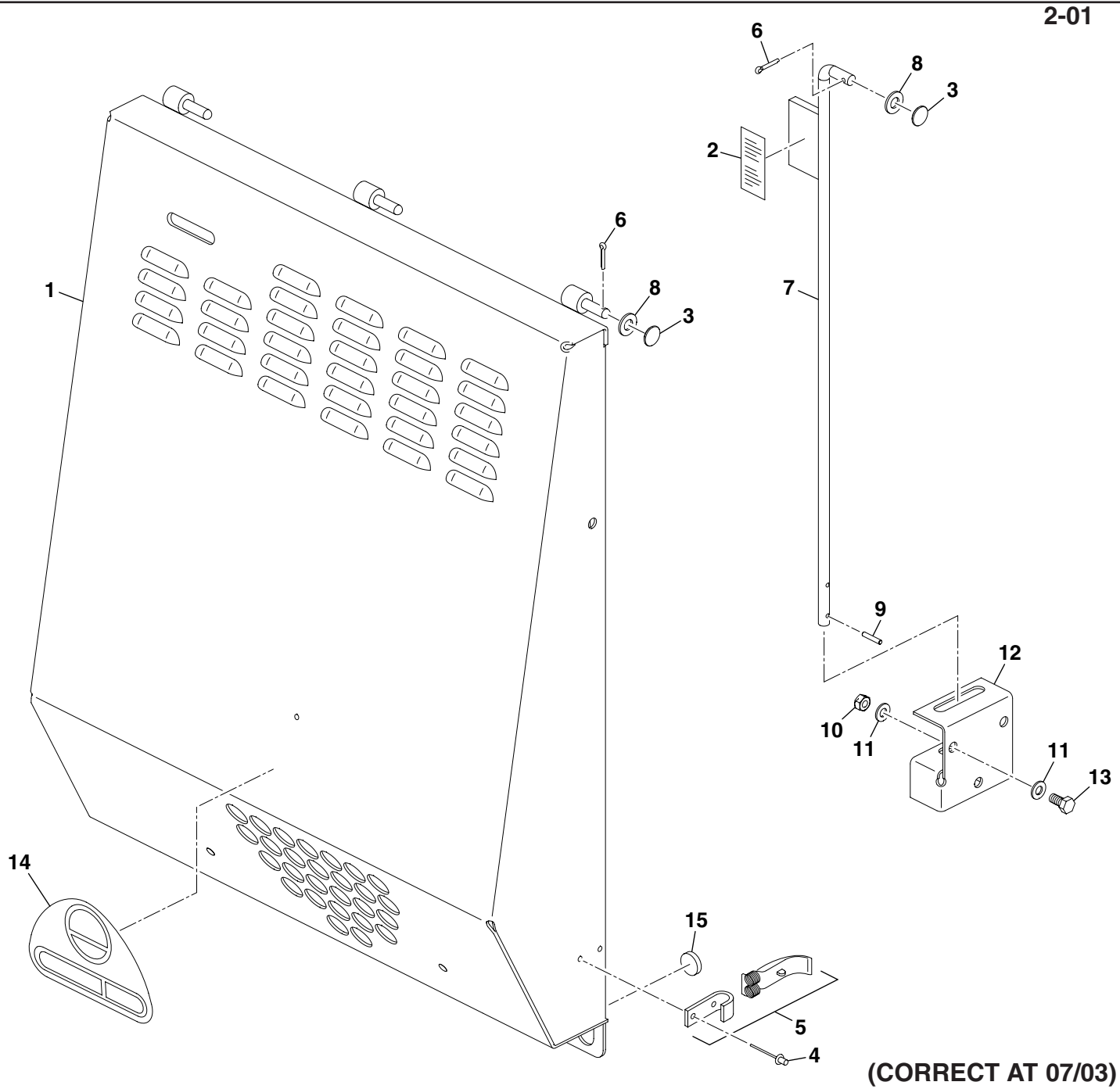
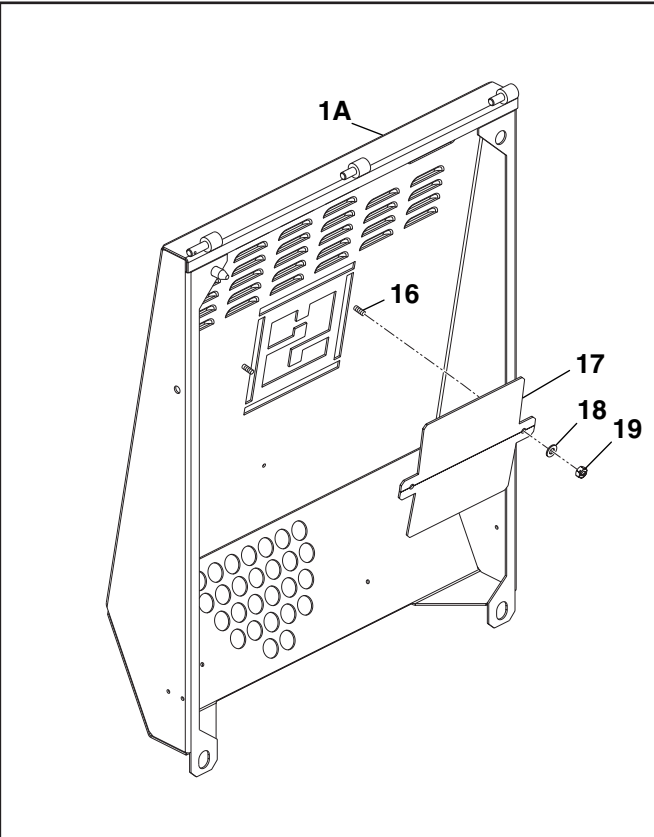
**FRAME ASSEMBLY- 100-150XT
(CORRECT AT 05/04)**

- 1 909-19700.....1Frame (100/150XT)
- 2 909-12300.....1Axle
- 3
- 4 8-20002.....1Nut (M20)
- 5 4-2001.....3Washer (M20)
- 6 909-111001Towbar
- 7 3-0006.....6Split Pin
- 8 4-0009.....4Washer (M26)
- 9 XS352Handle Grip
- 10
- 11
- 12
- 13 60-0284.....4Wheel
- 14 909-20000.....1Grease Nipple Assembly (← June'04)
- 15 909-99996.....4Spacer
- 16 909-17402.....1Brake Bar
- 17 909-99998.....1Lever
- 18 7-10015.....1Screw (M10x65)
- 19 3-0044.....2Spirol Pin
- 20 2-0027.....1Spring
- 21 909-99997.....1Spacer
- 22 74-0001.....1Knob
- 23 909-17401.....1Brake Cam
- 24 800-22600.....1Decal Kit (100XT)
- 24A 800-22700.....1Decal Kit (150XT)
- 24B 800-22800.....1Decal Kit (175XT)
- 24C 800-22900.....1Decal Kit (200XT)
- 25 1-0519.....A/ROrange Paint (Tin)
- 25A 1-0507.....A/ROrange Paint (Spray)
- 26 3-0049.....1Split Pin
- 27 3-4034.....1Cap




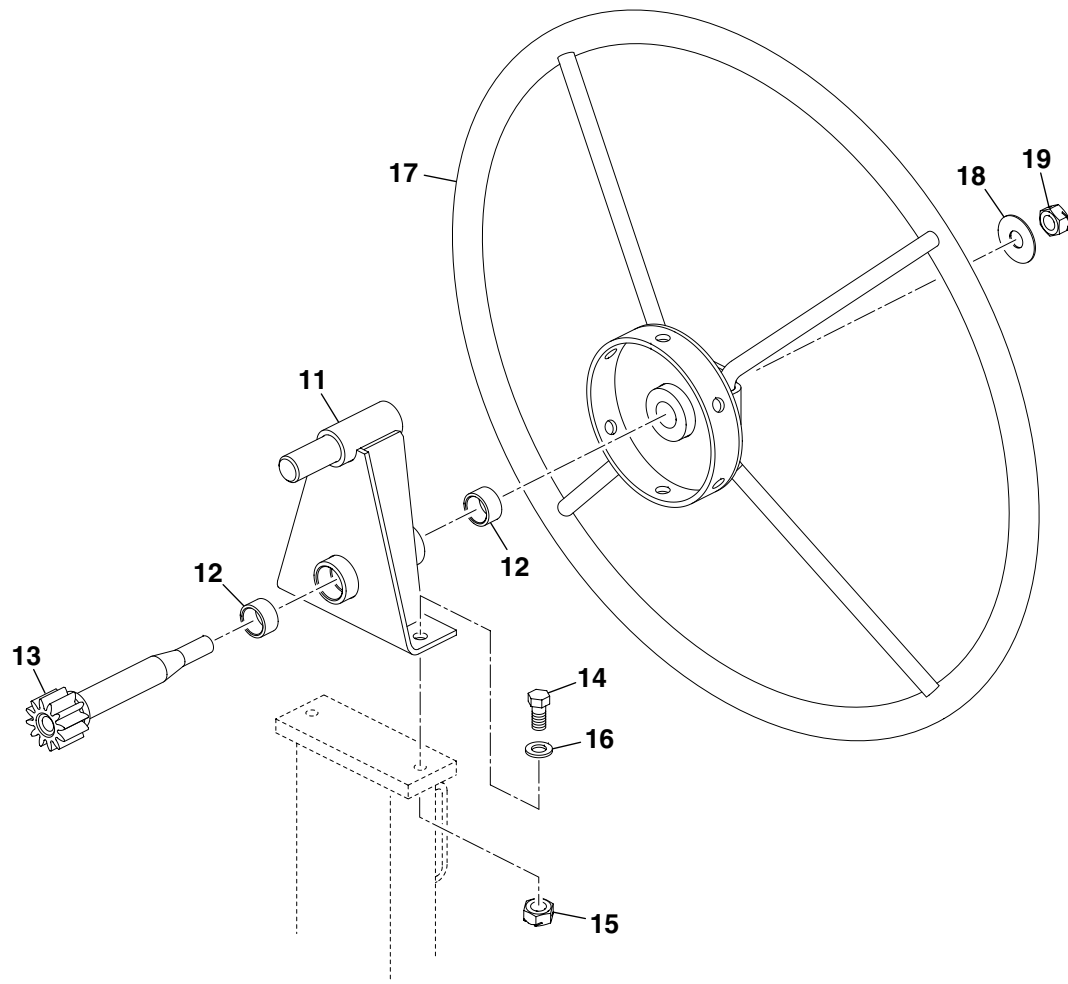
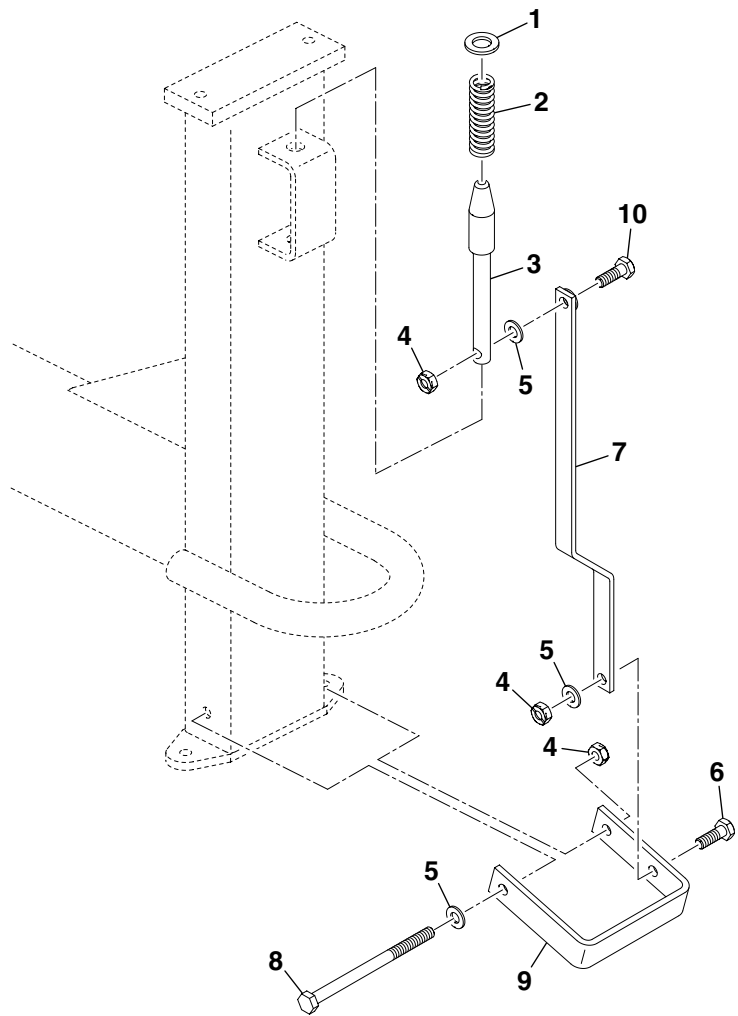
**FRAME ASSEMBLY- 175-200XT
(CORRECT AT 05/04)**

- 1 909-116001Frame (175/200XT)
- 2 909-12300.....1Axle
- 3 909-99935.....1Plate
- 4 8-20002.....1Nut (M20)
- 5 4-20013Washer (M20)
- 6 909-111001Towbar
- 7 3-0006.....6Split Pin
- 8 4-0009.....4Washer (M26)
- 9 XS352Handle Grip
- 10 7-10010.....2Screw (M10x30)
- 11 4-1005.....2Washer (M10)
- 12 8-10001.....2Nut (M10)
- 13 60-0284.....4Wheel
- 14 909-20000.....1Grease Nipple Assembly (← June'04)
- 15 909-99996.....4Spacer
- 16 909-17402.....1Brake Bar
- 17 909-99998.....1Lever
- 18 7-10015.....1Screw (M10x65)
- 19 3-0044.....2Spirol Pin
- 20 2-00271Spring
- 21 909-99997.....1Spacer
- 22 74-0001.....1Knob
- 23 909-17401.....1Brake Cam
- 24 800-22600.....1Decal Kit (100XT)
- 24A 800-22700.....1Decal Kit (150XT)
- 24B 800-22800.....1Decal Kit (175XT)
- 24C 800-22900.....1Decal Kit (200XT)
- 25 1-0519.....A/ROrange Paint (Tin)
- 25A 1-0507.....A/ROrange Paint (Spray)
- 26 3-0049.....1Split Pin

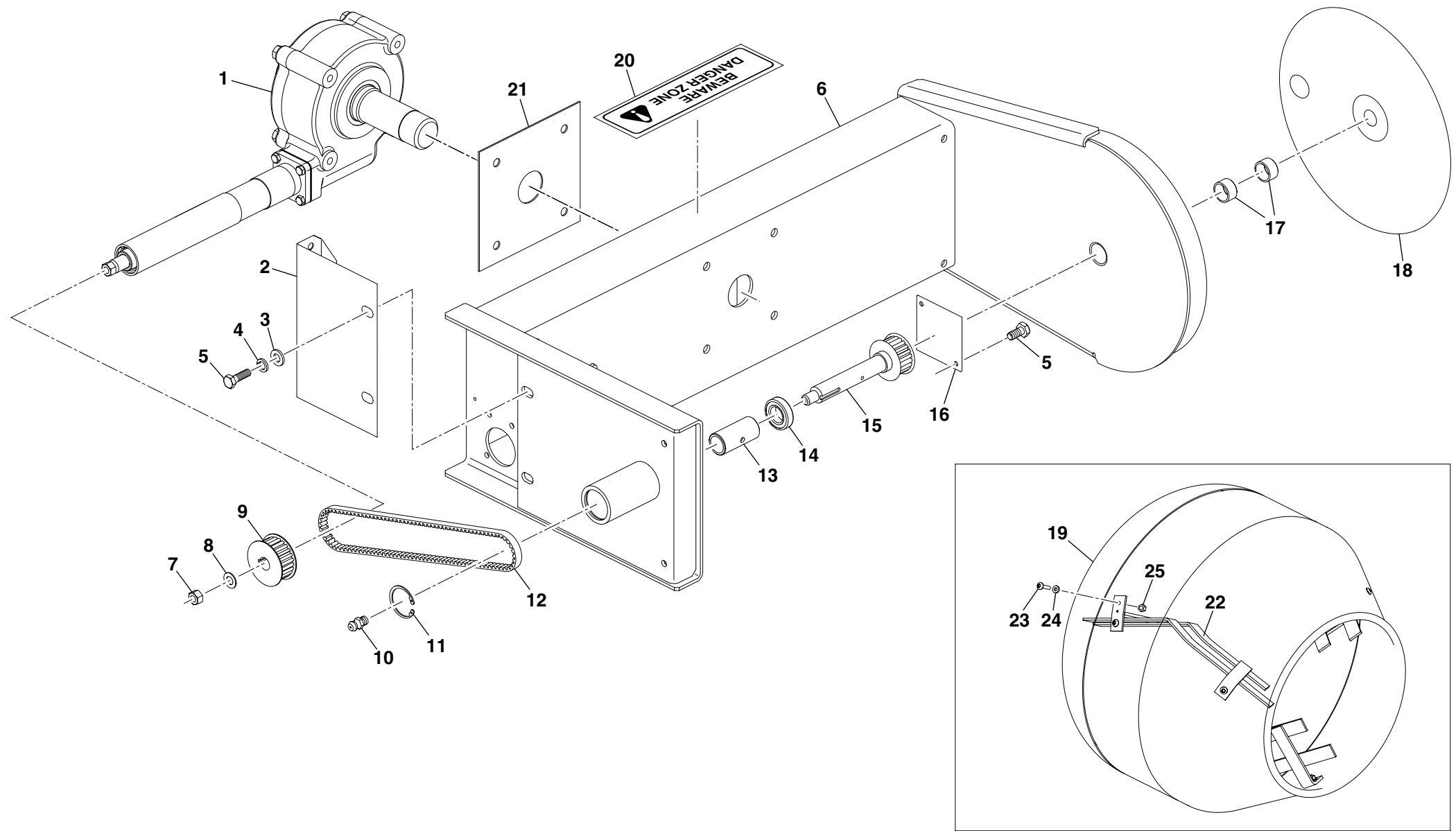


(CORRECT AT 07/03)

| | | |
|----|---|--------------------------------|
| 1 | 909-10400.....1 |Cover |
| 1A | 909-19700.....1 |Hewden Rear Door Assembly |
| 2 | 800-99903.....1 |Decal |
| 3 | PS071.....2 |Cap |
| 4 | 3-0008.....8 |Rivet |
| 5 | 908-10700.....2 |Catch |
| 6 | 3-0003.....2 |Split Pin |
| 7 | 909-17600.....1 |Door Stay |
| 8 | 4-10001.....2 |Washer (M10) |
| 9 | 3-0013.....2 |Spirol Pin |
| 10 | 8-8002.....3 |Nut (M8) |
| 11 | 4-8006.....6 |Washer (M8) |
| 12 | 909-99959.....1 |Bracket |
| 13 | 7-8008.....3 |Screw (M8x16) |
| 14 |  1-01 & 1-02 |(Item 24) |
| 15 | 3-3000.....2 |Pad |
| 16 | 915-00131.....2 |Stud |
| 17 | 909/99806.....1 |Infil Plate |
| 18 | 4-8006.....2 |Washer (M8) |
| 19 | 8-8002.....2 |Nut (M8) |

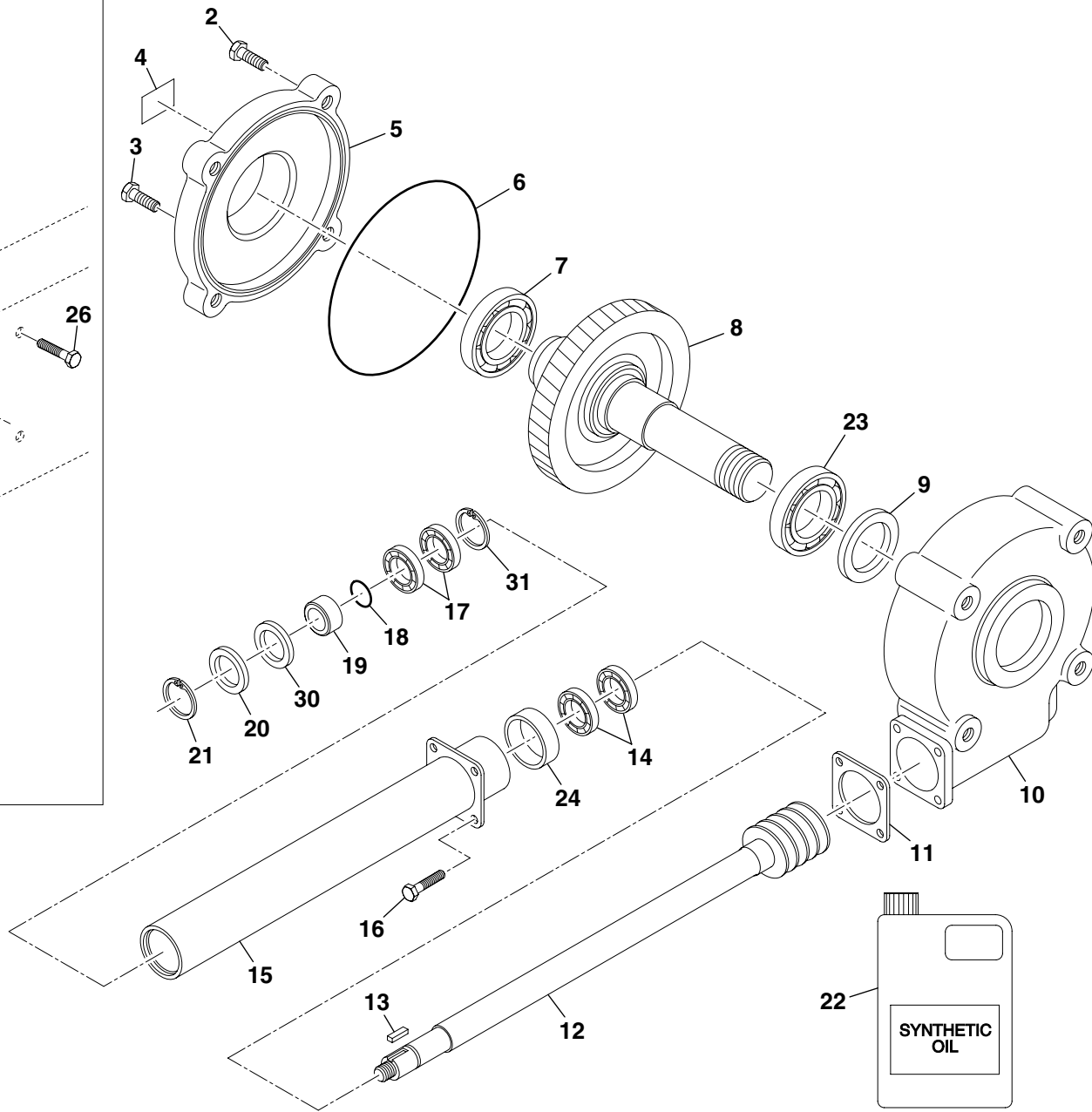
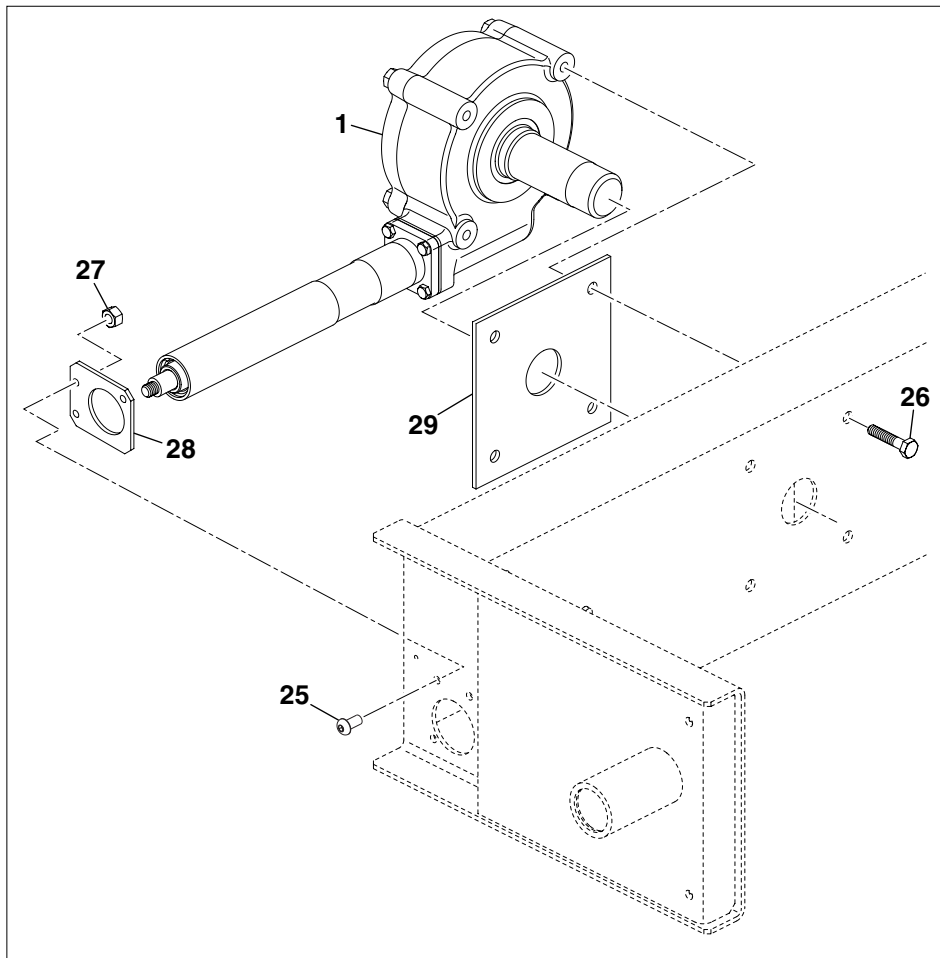


| | | | |
|----|-----------|---|----------------|
| 1 | 4-1601 | 1 | Washer (M16) |
| 2 | 2-0029 | 1 | Spring |
| 3 | 909-99910 | 1 | Plunger |
| 4 | 8-10001 | 3 | Nut (M10) |
| 5 | 4-1005 | 7 | Washer (M10) |
| 6 | 7-10010 | 1 | Screw (M10x30) |
| 7 | 909-99926 | 1 | Plunger Link |
| 8 | 9-10015 | 1 | Bolt (M10x150) |
| 9 | 909-99929 | 1 | Foot Pedal |
| 10 | 9-10004 | 1 | Bolt (M10x35) |
| 11 | 909-14800 | 1 | Pivot |
| 12 | 50-000016 | 2 | Composite Bush |
| 13 | 909-14900 | 1 | Tip Gear |
| 14 | 7-12013 | 2 | Screw (M12x35) |
| 15 | 8-12001 | 2 | Nut (M12) |
| 16 | 4-1204 | 4 | Washer (M12) |
| 17 | 909-10500 | 1 | Hand Wheel |
| 18 | 4-1607 | 1 | Washer (M16) |
| 19 | 8-16003 | 1 | Nut (M16) |



(CORRECT AT 05/04)

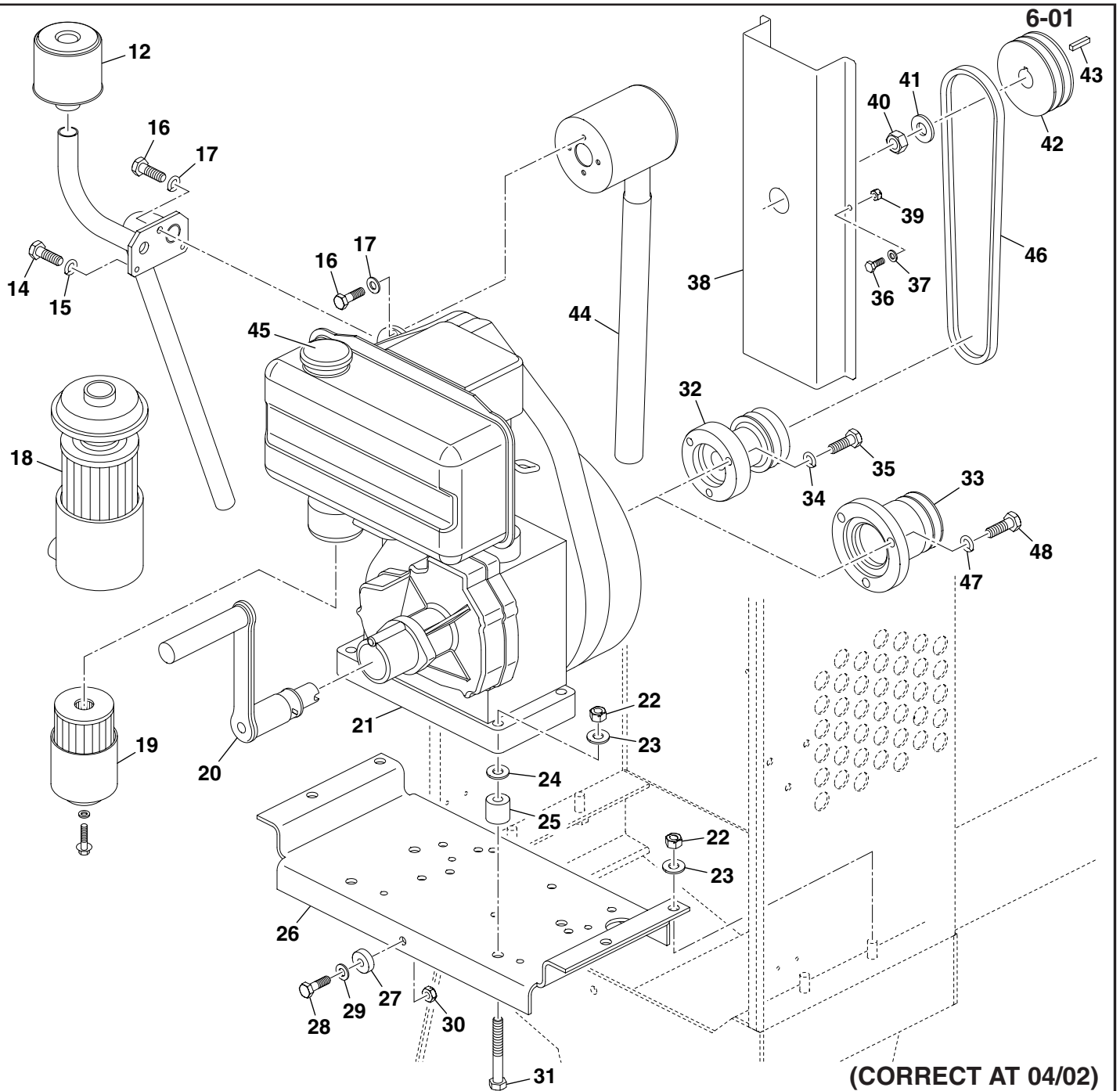
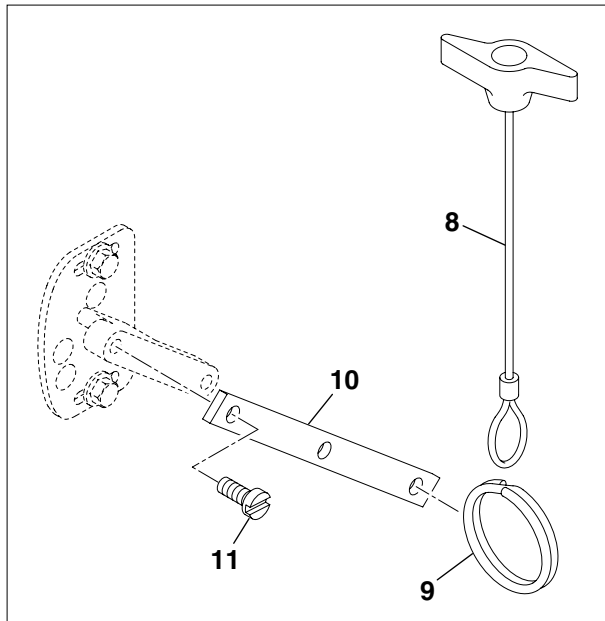
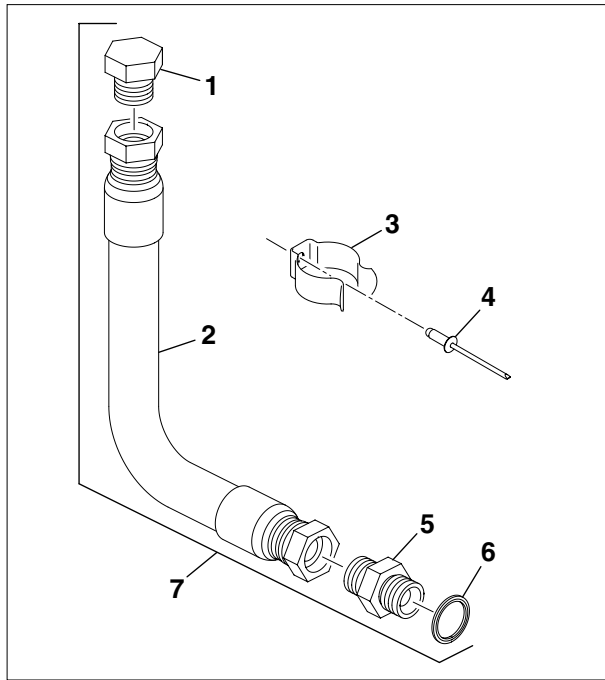
| | | | | | | | | | | |
|-----|-----------|-------|-------|---------|--------------------------------|---------|-------|---|-------|--------------|
| 1 | 👁 5-01 | 1 | | Gearbox | 24 | 4-1201 | | 9 | | Washer (M12) |
| 2 | 909-99942 | 1 | | Guard | 25 | 8-12001 | | 9 | | Nut (M12) |
| 3 | | | | | | | | | | |
| 4 | | | | | | | | | | |
| 5 | 7-6032 | | 5 | | Screw (M6x12) | | | | | |
| 6 | 909-10700 | | 1 | | Yoke (100/150XT) | | | | | |
| 6A | 909-12200 | | 1 | | Yoke (175/200XT) | | | | | |
| 7 | 8-12003 | | 1 | | Nut (M12) | | | | | |
| 8 | 4-1205 | | 1 | | Washer (M12) | | | | | |
| 9 | 908-15700 | | 1 | | Pulley (→ May'04) | | | | | |
| 9A | 909-99807 | | 1 | | Pulley (↪ May'04) | | | | | |
| 10 | 500-06100 | | 1 | | Grease Nipple | | | | | |
| 11 | PS022 | | 1 | | Circlip | | | | | |
| 12 | 908-15500 | | 1 | | Drive Belt (→ May'04) | | | | | |
| 12A | 21-0163 | | 1 | | Drive Belt (↪ May'04) | | | | | |
| 13 | 909-99932 | | 1 | | Spacer | | | | | |
| 14 | PS074 | | 2 | | Bearing | | | | | |
| 15 | 909-13100 | | 1 | | Layshaft (→ May'04) | | | | | |
| 15A | 909-19900 | | 1 | | Layshaft (↪ May'04) | | | | | |
| 16 | 908-15900 | | 1 | | Cover | | | | | |
| 17 | 50-000016 | | 2 | | Bush | | | | | |
| 18 | 908-21200 | | 1 | | Cover | | | | | |
| 19 | 909-18300 | | 1 | | Drum (c/w Paddles) (100XT) | | | | | |
| 19A | 909-18400 | | 1 | | Drum (c/w Paddles) (150XT) | | | | | |
| 19B | 909-18500 | | 1 | | Drum (c/w Paddles) (175XT) | | | | | |
| 19C | 909-18600 | | 1 | | Drum (c/w Paddles) (200XT) | | | | | |
| 20 | 800-10441 | | 2 | | Decal Danger Zone | | | | | |
| 21 | 👁 5-01 | | 1 | | Plate | | | | | |
| 22 | 909-19100 | | 1 | | Paddle Kit (100XT) (↪ July'02) | | | | | |
| 22A | 909-19200 | | 3 | | Paddle Kit (150XT) (↪ July'02) | | | | | |
| 22B | 909-19300 | | 3 | | Paddle Kit (175XT) (↪ Oct'02) | | | | | |
| 22C | 909-19400 | | 3 | | Paddle Kit (200XT) (↪ Aug'02) | | | | | |
| 23 | 7-12017 | | 9 | | Screw (M12 x 30) | | | | | |



(CORRECT AT 07/03)

| | | | | | |
|-----|-----------------|-----------------------------------|----|--------------|--------------|
| 1 | 909-16100.....1 |Gearbox Assembly (100/150XT) | 31 | 3-9003.....1 |Circlip |
| 1A | 909-13000.....1 |Gearbox Assembly (175/200XT) | | | |
| 2 | 7-12014.....4 |Bolt (M12x40) | | | |
| 3 | XS01.....1 |Bung | | | |
| 4 | 908-14100.....1 |Decal | | | |
| 5 | PS111.....1 |Cover | | | |
| 6 | 5-0022.....1 |Seal | | | |
| 7 | PS002.....1 |Bearing | | | |
| 8 | 909-17300.....1 |Mainshaft | | | |
| 9 | 5-0044.....1 |Seal | | | |
| 10 | 909-13001.....1 |Case | | | |
| 11 | 5-0043.....1 |Gasket | | | |
| 12 | 909-15000.....1 |Wormshaft (100/150XT) | | | |
| 12A | 909-12800.....1 |Wormshaft (175/200XT) | | | |
| 13 | 908-99901.....1 |Key | | | |
| 14 | 53-0010.....2 |Bearing | | | |
| 15 | 909-15100.....1 |Tube Carrier (100-150XT) | | | |
| 15A | 909-12900.....1 |Tube Carrier (175-200XT) | | | |
| 16 | 7-8012.....4 |Bolt (M8x25) | | | |
| 17 | PS013.....2 |Bearing | | | |
| 18 | 5-0015.....1 |Seal | | | |
| 19 | 909-12904.....1 |Spacer | | | |
| 20 | PS016.....1 |Seal | | | |
| 21 | MS22.....1 |Circlip | | | |
| 22 | 1-0471.....A/R |Oil | | | |
| 23 | 53-0004.....1 |Bearing | | | |
| 24 | 909-12902.....1 |Spacer | | | |
| 25 | 7-8049.....3 |Screw (M8x16) | | | |
| 26 | 7-12004.....4 |Bolt (M12x25) | | | |
| 27 | 8-8002.....3 |Nut (M8) | | | |
| 28 | 908-16000.....1 |Plate | | | |
| 29 | 909-99995.....1 |Plate | | | |
| 30 | 909-12903.....1 |Spacer | | | |

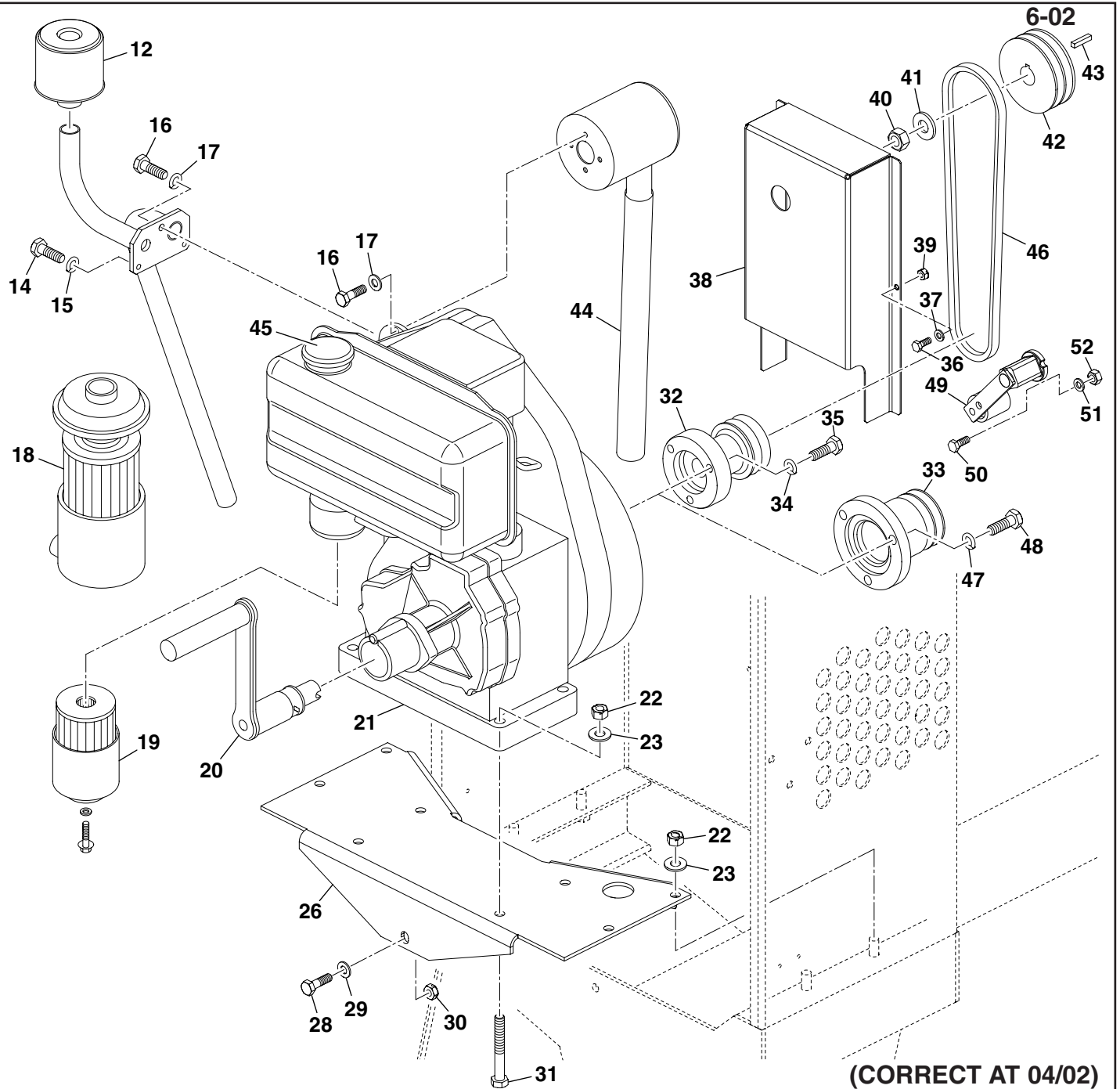
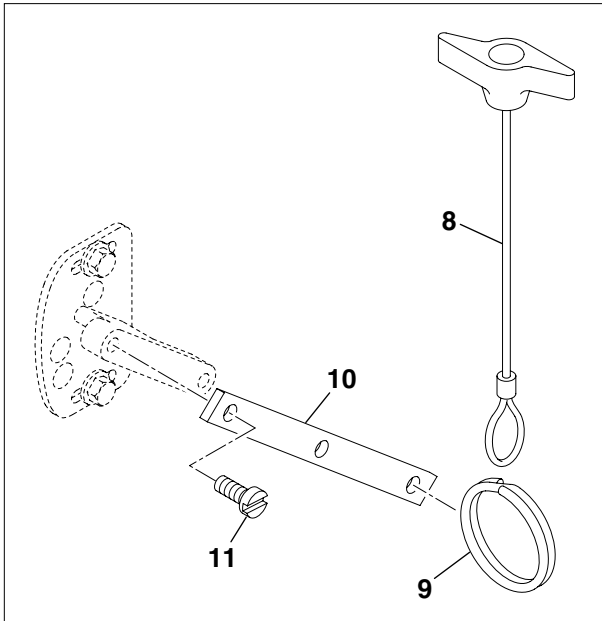
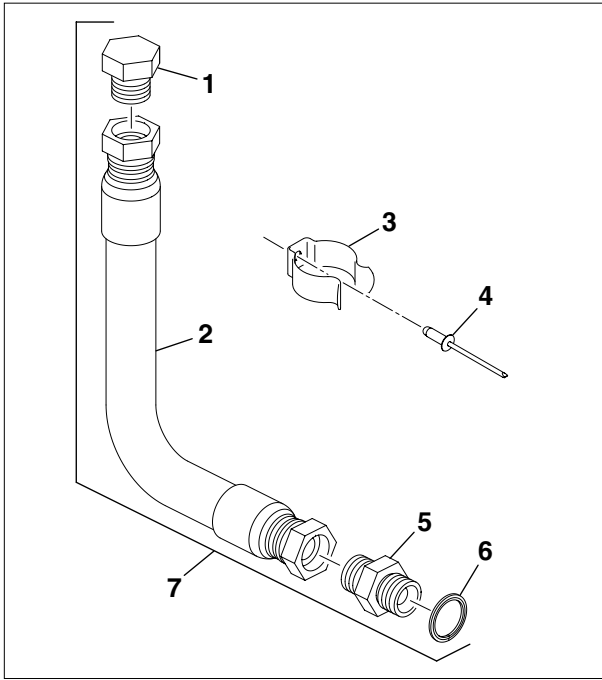
Engine Assembly (Lister → July'02)



(CORRECT AT 04/02)

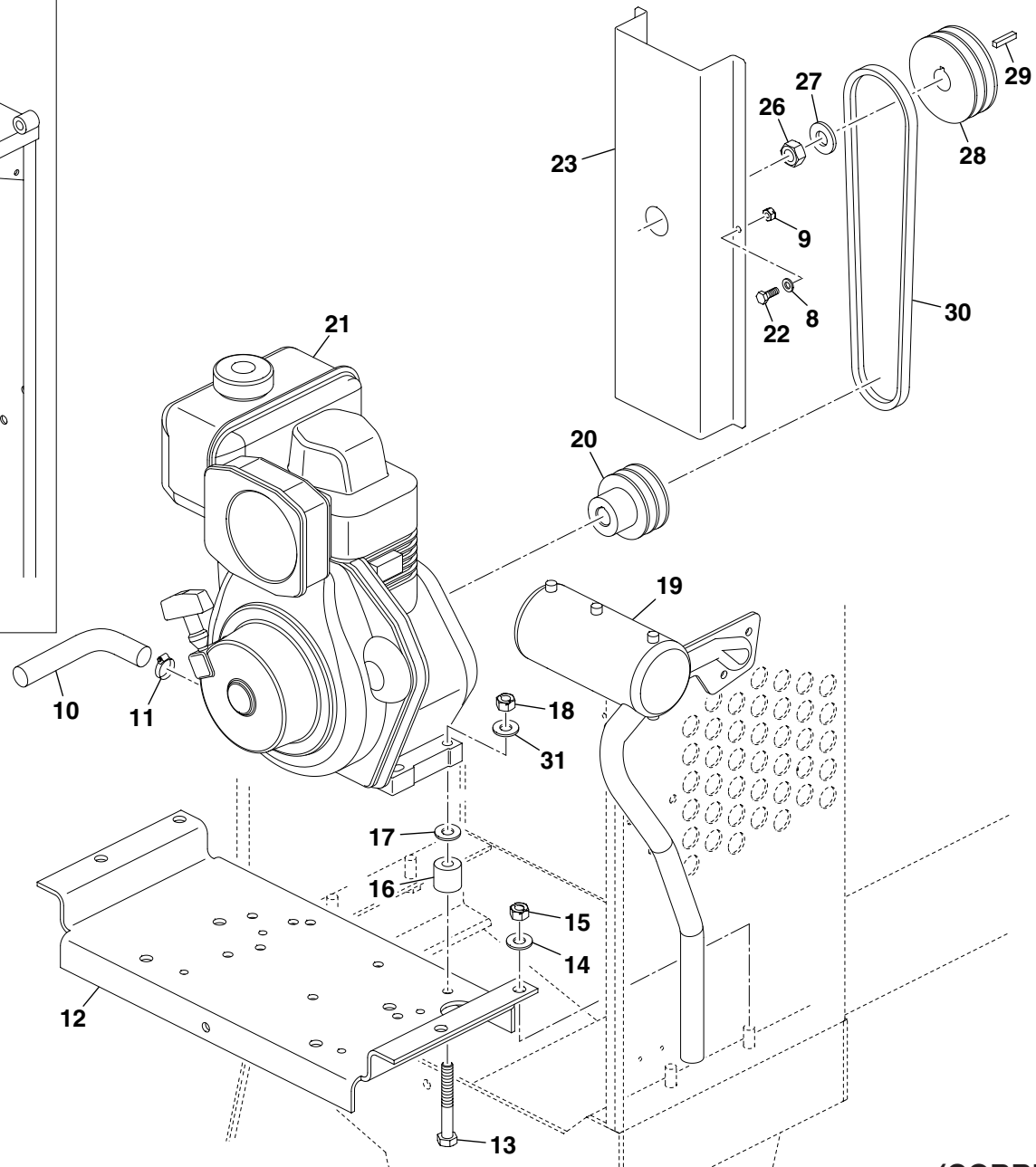
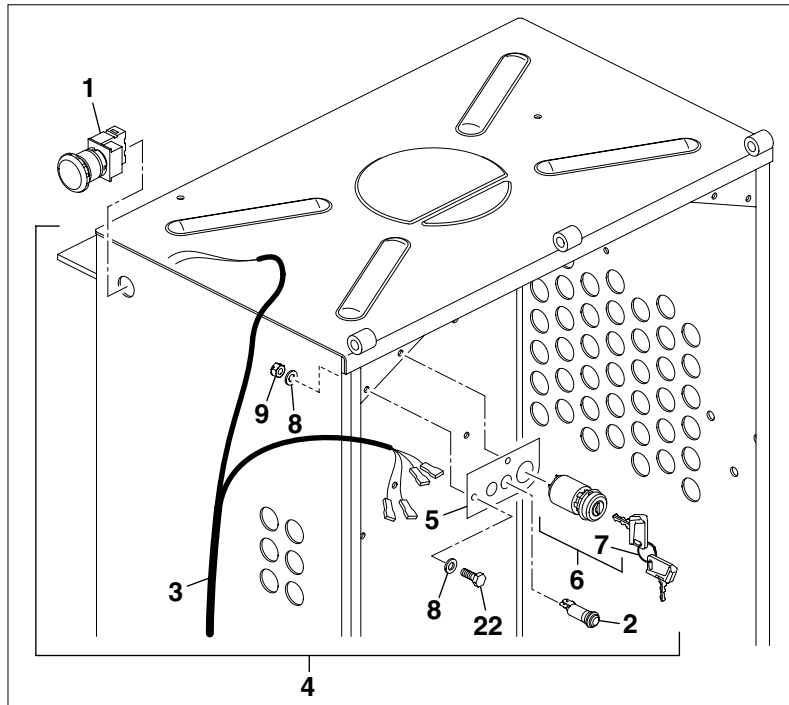
| | | | | | |
|-----|-----------------|---------------------------|----|-------------------|----------------------------|
| 1 | 6-0003.....1 | Blank | 31 | 9-12018.....4 | Bolt (M12x100) (→ July'02) |
| 2 | 32-0116.....1 | Hose | 32 | PS040.....1 | Pulley (Build 10) |
| 3 | 3-0008.....1 | Clip | 33 | PS097.....1 | Pulley (Build 32) |
| 4 | 3-0043.....1 | Rivet | 34 | 4-1003.....3 | Washer (M10) |
| 5 | 6-0020.....1 | Adaptor | 35 | 9-10009.....3 | Bolt (M10x45) |
| 6 | 5-0020.....1 | Seal | 36 | 9-6001.....2 | Screw (M6x16) |
| 7 | 39-1220.....1 | Hose Kit | 37 | 4-6001.....4 | Washer (M6) |
| 8 | 21-0107.....1 | Stop Cable | 38 | 909-99941.....1 | Guard (→ July'02) |
| 9 | 2-0010.....1 | Ring | 39 | 8-6002.....2 | Nut (M6) |
| 10 | 908-21800.....1 | Lever | 40 | 8-16002.....1 | Nut (M16) |
| 11 | 7-4002.....2 | Screw (M4) | 41 | 4-1602.....1 | Washer (M16) |
| 12 | PS087.....1 | Air Filter (Build 32) | 42 | 909-99964.....1 | Pulley |
| 13 | 909-14100.....1 | Exhaust (Build 32) | 43 | 909-99968.....1 | Key |
| 14 | 9-6001.....2 | Bolt (M6x16) | 44 | 909-14400.....1 | Exhaust (Build 10) |
| 15 | 4-6005.....2 | Washer (M6) | 45 | 908-18700.....1 | Cap |
| 16 | 7-8008.....3 | Bolt (M8) | 46 | 21-0109.....2 | Belt (A37) |
| 17 | 4-8003.....3 | Washer (M8) | 47 | 4-1202.....3 | Washer (M12) |
| 18 | 908-14200.....1 | Air Filter (Build 10) | 48 | 9-12006.....3 | Bolt (M12x35) |
| 19 | 908-18600.....1 | Fuel Filter | - | 800-21510.....A/R | Decal Lister Maintenance |
| 20 | 908-22500.....1 | Handle | - | 800-21531.....A/R | Decal Lister Starting |
| 21 | 908-20800.....1 | Engine (Build 32) | - | 800-99916.....A/R | Decal Lister Noise |
| 21A | 908-20900.....1 | Engine (Build 10) | | | |
| 22 | 8-12001.....8 | Nut | | | |
| 23 | 4-1205.....12 | Washer (M12) | | | |
| 24 | 4-1201.....24 | Washer (M12) (→ July'02) | | | |
| 25 | 909-99975.....4 | Spacer (→ July'02) | | | |
| 26 | 909-99986.....1 | Engine Deck (→ July'02) | | | |
| 27 | 909-99980.....1 | Spacer (→ July'02) | | | |
| 28 | 9-10004.....1 | Bolt (M10x35) (→ July'02) | | | |
| 29 | 4-1005.....2 | Washer (M10) | | | |
| 30 | 8-10001.....1 | Nut (M10) | | | |

Engine Assembly (Lister → July'02)



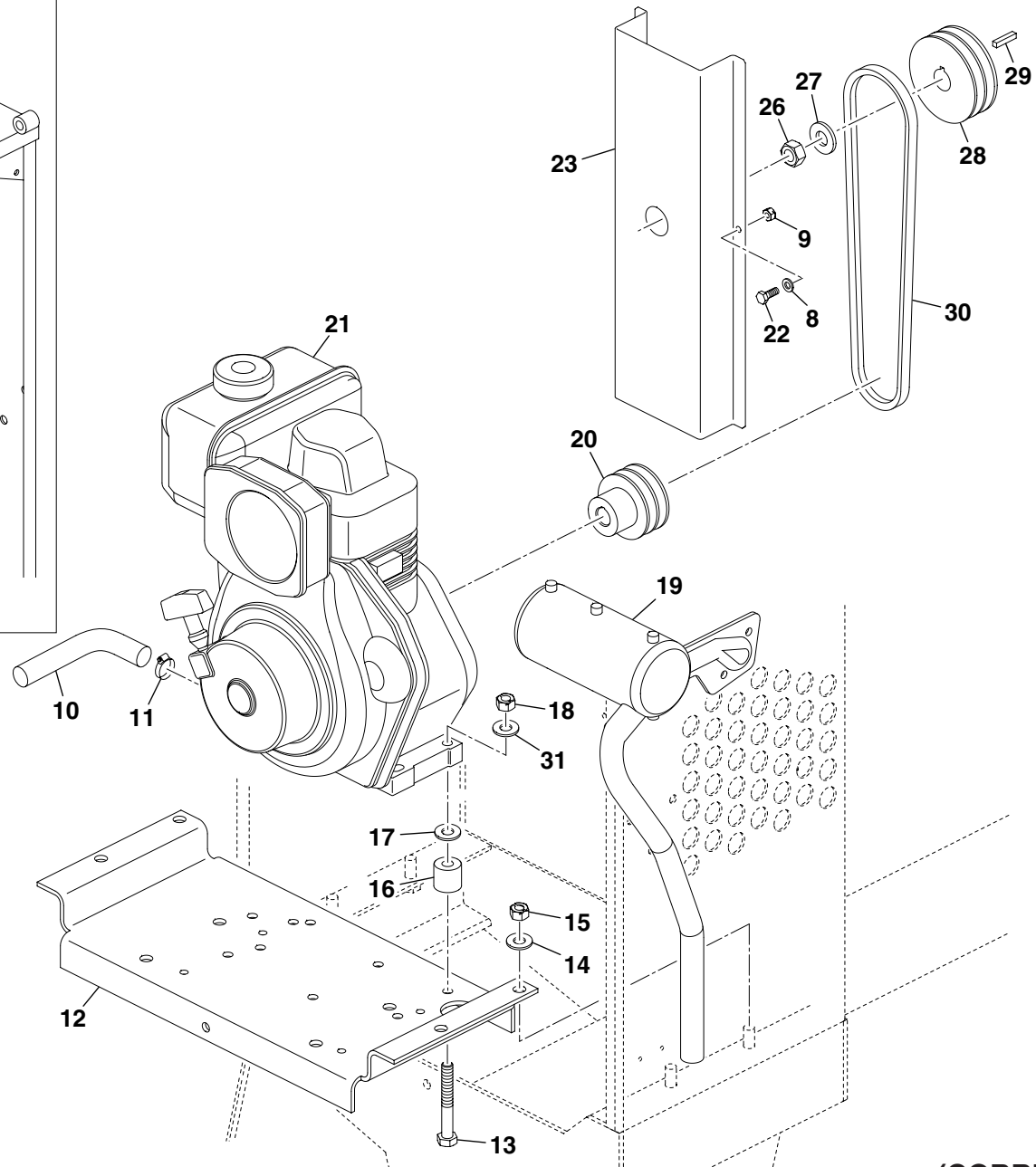
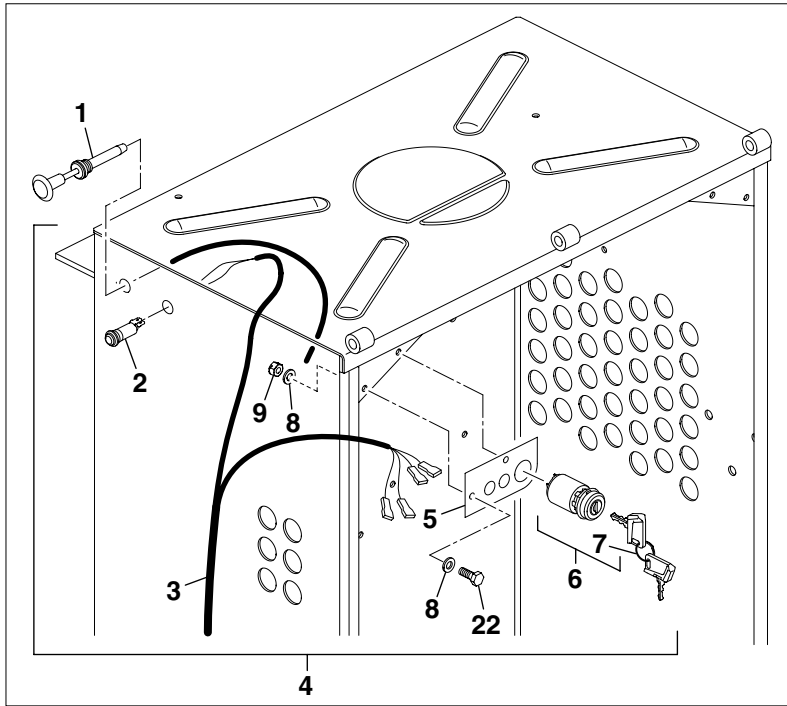
(CORRECT AT 04/02)

| | | | | | |
|-----|-----------------|---------------------------|----|-------------------|-----------------------------------|
| 1 | 6-0003.....1 | Blank | 31 | 9-12019.....4 | Bolt (M12x55) (→ July'02) |
| 2 | 32-0116.....1 | Hose | 32 | PS040.....1 | Pulley (Build 10) |
| 3 | 3-0008.....1 | Clip | 33 | PS097.....1 | Pulley (Build 32) |
| 4 | 3-0043.....1 | Rivet | 34 | 4-1003.....3 | Washer (M10) |
| 5 | 6-0020.....1 | Adaptor | 35 | 9-10009.....3 | Bolt (M10x45) |
| 6 | 5-0020.....1 | Seal | 36 | 9-6001.....2 | Screw (M6x16) |
| 7 | 39-1220.....1 | Hose Kit | 37 | 4-6001.....4 | Washer (M6) |
| 8 | 21-0107.....1 | Stop Cable | 38 | 909-99802.....1 | Guard (Build 10) (→ July'02) |
| 9 | 2-0010.....1 | Ring | | 909-99903.....1 | Guard (Build 32) (→ July'02) |
| 10 | 908-21800.....1 | Lever | 39 | 8-6002.....2 | Nut (M6) |
| 11 | 7-4002.....2 | Screw (M4) | 40 | 8-16002.....1 | Nut (M16) |
| 12 | PS087.....1 | Air Filter (Build 32) | 41 | 4-1602.....1 | Washer (M16) |
| 13 | 909-14100.....1 | Exhaust (Build 32) | 42 | 909-99964.....1 | Pulley |
| 14 | 9-6001.....2 | Bolt (M6x16) | 43 | 909-99968.....1 | Key |
| 15 | 4-6005.....2 | Washer (M6) | 44 | 909-14400.....1 | Exhaust (Build 10) |
| 16 | 7-8008.....3 | Bolt (M8) | 45 | 908-18700.....1 | Cap |
| 17 | 4-8003.....3 | Washer (M8) | 46 | 21-0109.....2 | Belt (A37) |
| 18 | 908-14200.....1 | Air Filter (Build 10) | 47 | 4-1202.....3 | Washer (M12) |
| 19 | 908-18600.....1 | Fuel Filter | 48 | 9-12006.....3 | Bolt (M12x35) |
| 20 | 908-22500.....1 | Handle | 49 | 909-99999.....1 | Jockey Belt Tensioner (→ July'02) |
| 21 | 908-20800.....1 | Engine (Build 32) | 50 | 7-5020.....1 | Screw (M5x10) (→ July'02) |
| 21A | 908-20900.....1 | Engine (Build 10) | 51 | 4-5002.....1 | Washer (M5) (→ July'02) |
| 22 | 8-12001.....8 | Nut | 52 | 5-5002.....1 | Nut (M5) (→ July'02) |
| 23 | 4-1205.....12 | Washer (M12) | - | 800-21510.....A/R | Decal Lister Maintenance |
| 24 | | | - | 800-21531.....A/R | Decal Lister Starting |
| 25 | | | - | 800-99916.....A/R | Decal Lister Noise |
| 26 | 909-99991.....1 | Engine Deck (→ July'02) | | | |
| 27 | | | | | |
| 28 | 9-10005.....1 | Bolt (M10x25) (→ July'02) | | | |
| 29 | 4-1005.....2 | Washer (M10) | | | |
| 30 | 8-10001.....1 | Nut (M10) | | | |



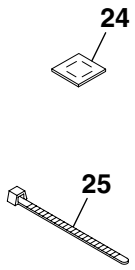
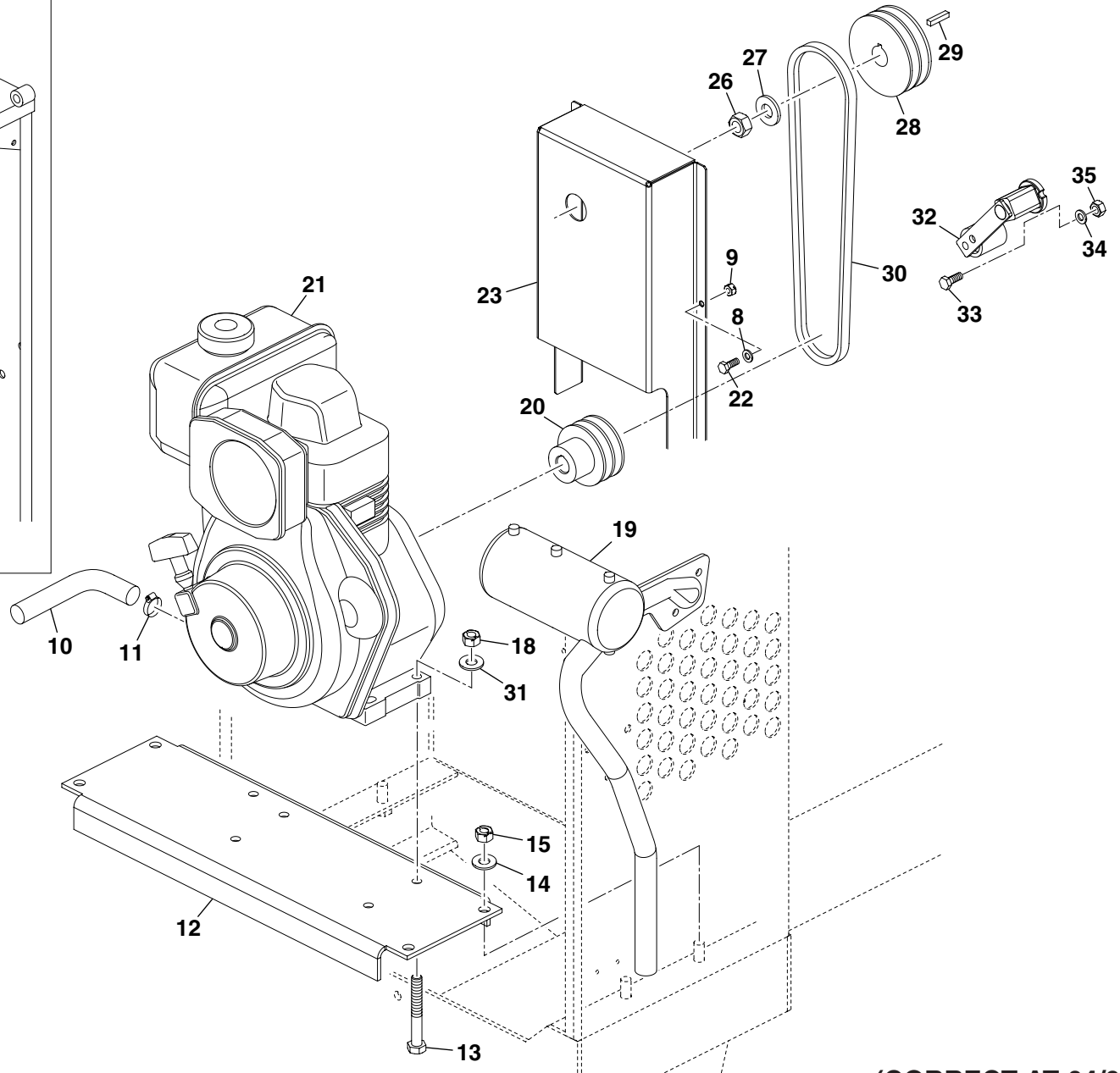
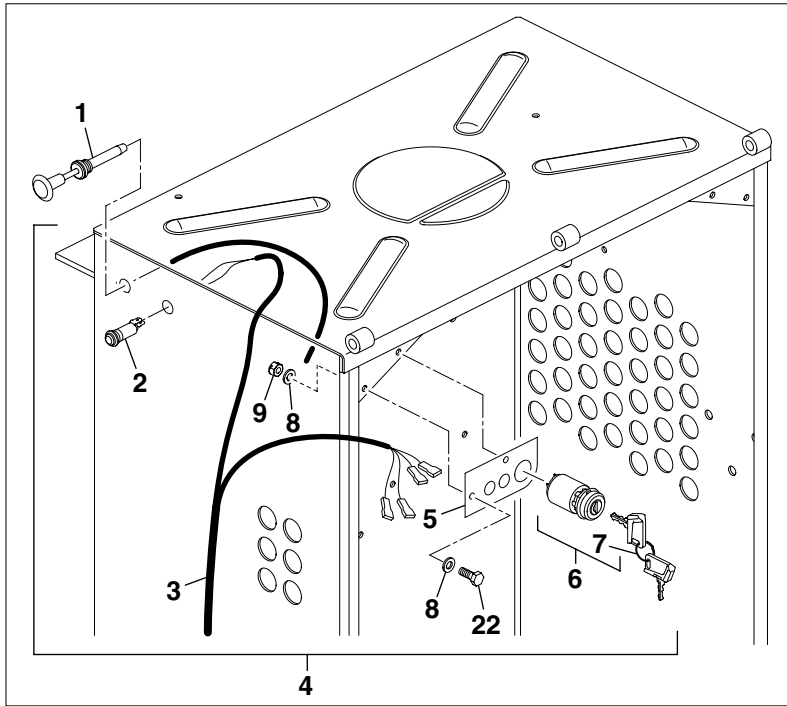
(CORRECT AT 04/02)

| | | | | | |
|----|-------------------|---|----|-------------------|---------------------------------------|
| 1 | 70-0049.....1 |Emergency Stop Button (→ Oct'01) | 31 | 4-1005.....4 |Washer (M10) |
| 2 | 70-0012.....1 |Indicator Red | - | 800-10420.....A/R |Decal Hot Parts |
| 3 | 71-0167.....1 |Harness (Stop/Start) (→ Oct'01) | - | 800-21512.....A/R |Decal Yanmar Maintenance |
| 4 | 71-0157.....1 |Harness Assembly (Complete) (→ Oct'01) | - | 800-21520.....A/R |Decal Charge Light |
| 5 | 909-99972.....1 |Ignition Switch Plate | - | 800-21530.....A/R |Decal Yanmar Starting (→ Oct'01) |
| 6 | 70-0184.....1 |Ignition Switch (C/W Keys) | - | 800-99916.....A/R |Decal Yanmar Noise |
| 7 | 70-0185.....1 |Ignition Keys | - | 800-99916.....1 |Decal Motor Noise |
| 8 | 4-6001.....8 |Washer (M6) | | | |
| 9 | 8-6002.....4 |Nut (M6) | | | |
| 10 | 31-0105.....1 |Drain Hose | | | |
| 11 | 200-08400.....1 |Jubilee Clip | | | |
| 12 | 909-99986.....1 |Engine Deck | | | |
| 13 | 9-10011.....4 |Bolt (M10x50) | | | |
| 14 | 4-1204.....4 |Washer (M12) | | | |
| 15 | 8-12001.....4 |Nut (M12) | | | |
| 16 | 909-99976.....4 |Spacer | | | |
| 17 | 4-1001.....24 |Washer (M10) | | | |
| 18 | 8-10001.....4 |Nut (M10) | | | |
| 19 | 909-14300.....1 |Exhaust | | | |
| 20 | 909-99970.....1 |Pulley | | | |
| 21 | 20-0023.....1 |Engine Yanmar L40 ARE-BE (→ Oct'01) | | | |
| 22 | 9-6001.....4 |Screw (M6x16) | | | |
| 23 | 909-99941.....1 |Guard | | | |
| 24 | 900-99903.....A/R |Pad | | | |
| 25 | 1-0005.....A/R |Cable Tie | | | |
| 26 | 8-16002.....1 |Nut (M16) | | | |
| 27 | 4-1602.....1 |Washer (M16) | | | |
| 28 | 909-99964.....1 |Pulley | | | |
| 29 | 909-99968.....1 |Key | | | |
| 30 | 21-0110.....2 |Belt (A36) | | | |



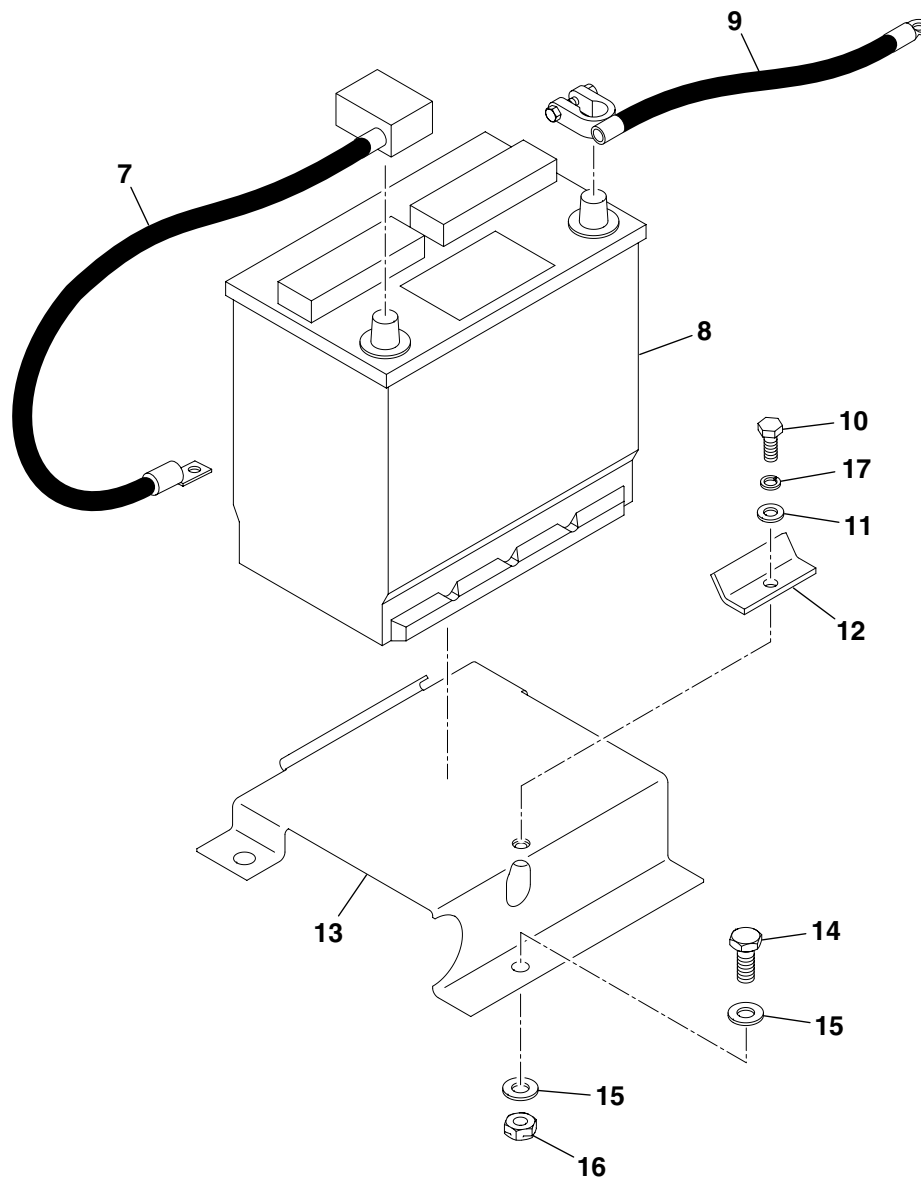
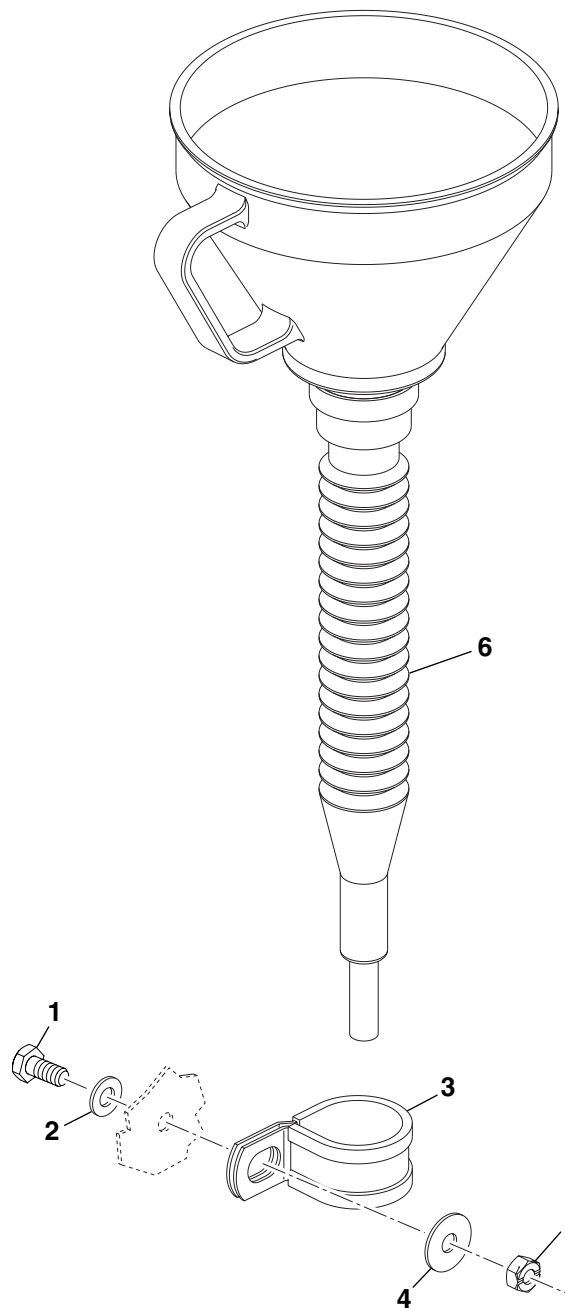
(CORRECT AT 04/02)

| | | | | | | | |
|----|-----------|----------|--|----|-----------|----------|---------------------------------------|
| 1 | 21-0114 |1 |Emergency Stop Button & Cable Assembly (↳ Oct'01) | 31 | 4-1005 |4 |Washer (M10) |
| 2 | 70-0012 |1 |Indicator Red | - | 800-10420 |A/R |Decal Hot Parts |
| 3 | 71-0174 |1 |Harness (Stop/Start) (↳ Oct'01) | - | 800-21512 |A/R |Decal Yanmar Maintenance |
| 4 | 71-0173 |1 |Harness Assembly (Complete) (↳ Oct'01) | - | 800-21520 |A/R |Decal Charge Light |
| 5 | 909-99972 |1 |Ignition Switch Plate | - | 800-21534 |A/R |Decal Yanmar Starting (↳ Oct'01) |
| 6 | 70-0184 |1 |Ignition Switch (C/W Keys) | - | 800-99916 |A/R |Decal Yanmar Noise |
| 7 | 70-0185 |1 |Ignition Keys | | | | |
| 8 | 4-6001 |8 |Washer (M6) (→ July'02) | | | | |
| 9 | 8-6002 |4 |Nut (M6) (→ July'02) | | | | |
| 10 | 31-0105 |1 |Drain Hose | | | | |
| 11 | 200-08400 |1 |Jubilee Clip | | | | |
| 12 | 909-99986 |1 |Engine Deck (→ July'02) | | | | |
| 13 | 9-10011 |4 |Bolt (M10x50) (→ July'02) | | | | |
| 14 | 4-1204 |4 |Washer (M12) | | | | |
| 15 | 8-12001 |4 |Nut (M12) | | | | |
| 16 | 909-99976 |4 |Spacer (→ July'02) | | | | |
| 17 | 4-1001 |24 |Washer (M10) (→ July'02) | | | | |
| 18 | 8-10001 |4 |Nut (M10) | | | | |
| 19 | 909-14300 |1 |Exhaust | | | | |
| 20 | 909-99970 |1 |Pulley | | | | |
| 21 | 20-0024 |1 |Engine Yanmar L40 ARE-BE-BE2 (↳ Oct'01) | | | | |
| 22 | 9-6001 |4 |Screw (M6x16) (→ July'02) | | | | |
| 23 | 909-99941 |1 |Guard (→ July'02) | | | | |
| 24 | 900-99903 |A/R |Pad | | | | |
| 25 | 1-0005 |A/R |Cable Tie | | | | |
| 26 | 8-16002 |1 |Nut (M16) | | | | |
| 27 | 4-1602 |1 |Washer (M16) | | | | |
| 28 | 909-99964 |1 |Pulley | | | | |
| 29 | 909-99968 |1 |Key | | | | |
| 30 | 21-0110 |2 |Belt (A36) (→ July'02) | | | | |



(CORRECT AT 04/02)

| | | | | | | | |
|----|-----------|-----|--|----|-----------|-----|-------------------------------------|
| 1 | 21-0114 | 1 | Emergency Stop Button & Cable Assembly | 31 | 4-1005 | 4 | Washer (M10) |
| 2 | 70-0012 | 1 | Indicator Red | 32 | 909-99999 | 1 | Jockey (Belt Tensioner) (↳ July'02) |
| 3 | 71-0174 | 1 | Harness (Stop/Start) | 33 | 7-5020 | 1 | Screw (M5x10) (↳ July'02) |
| 4 | 71-0173 | 1 | Harness Assembly (Complete) | 34 | 5-5002 | 1 | Nut (M5) (↳ July'02) |
| 5 | 909-99972 | 1 | Ignition Switch Plate | 35 | 4-5002 | 1 | Washer (M5) (↳ July'02) |
| 6 | 70-0184 | 1 | Ignition Switch (C/W Keys) | - | 800-10420 | A/R | Decal Hot Parts |
| 7 | 70-0185 | 1 | Ignition Keys | - | 800-21512 | A/R | Decal Yanmar Maintenance |
| 8 | 4-6001 | 10 | Washer (M6) (↳ July'02) | - | 800-21520 | A/R | Decal Charge Light |
| 9 | 8-6002 | 5 | Nut (M6) (↳ July'02) | - | 800-21534 | A/R | Decal Yanmar Starting |
| 10 | 31-0105 | 1 | Drain Hose | - | 800-99916 | A/R | Decal Yanmar Noise |
| 11 | 200-08400 | 1 | Jubilee Clip | | | | |
| 12 | 909-99992 | 1 | Engine Deck (↳ July'02) | | | | |
| 13 | 9-10005 | 4 | Bolt (M10x45) (↳ July'02) | | | | |
| 14 | 4-1204 | 4 | Washer (M12) | | | | |
| 15 | 8-12001 | 4 | Nut (M12) | | | | |
| 16 | | | | | | | |
| 17 | | | | | | | |
| 18 | 8-10001 | 4 | Nut (M10) | | | | |
| 19 | 909-14300 | 1 | Exhaust | | | | |
| 20 | 909-99970 | 1 | Pulley | | | | |
| 21 | 20-0024 | 1 | Engine Yanmar L40 ARE-BE-BE2 | | | | |
| 22 | 9-6001 | 5 | Screw (M6x16) (↳ July'02) | | | | |
| 23 | 909-99801 | 1 | Guard (↳ July'02) | | | | |
| 24 | 900-99903 | A/R | Pad | | | | |
| 25 | 1-0005 | A/R | Cable Tie | | | | |
| 26 | 8-16002 | 1 | Nut (M16) | | | | |
| 27 | 4-1602 | 1 | Washer (M16) | | | | |
| 28 | 909-99964 | 1 | Pulley | | | | |
| 29 | 909-99968 | 1 | Key | | | | |
| 30 | 21-0117 | 2 | Belt (A35.5) (↳ July'02) | | | | |

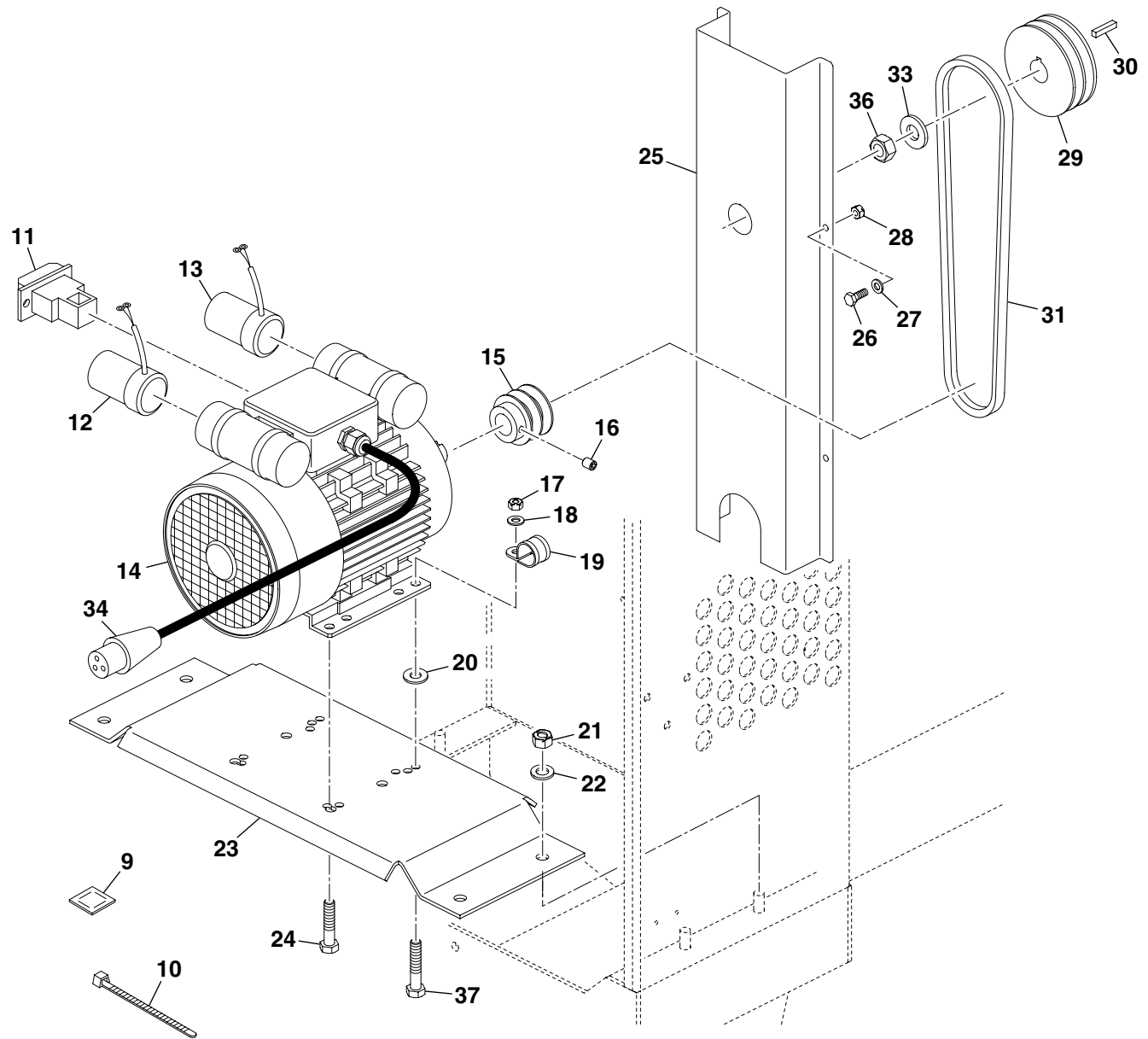
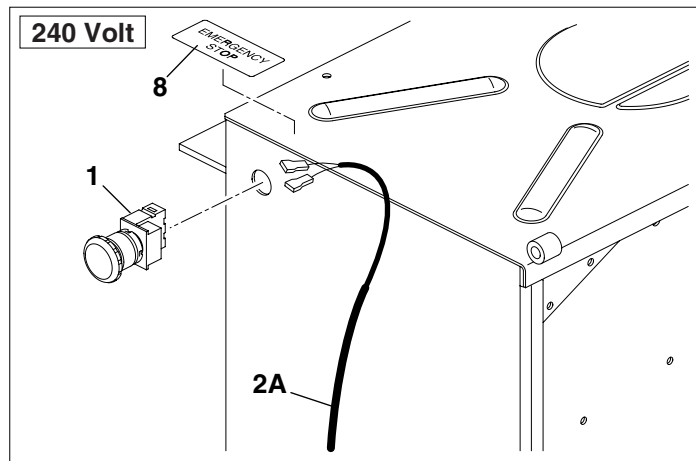
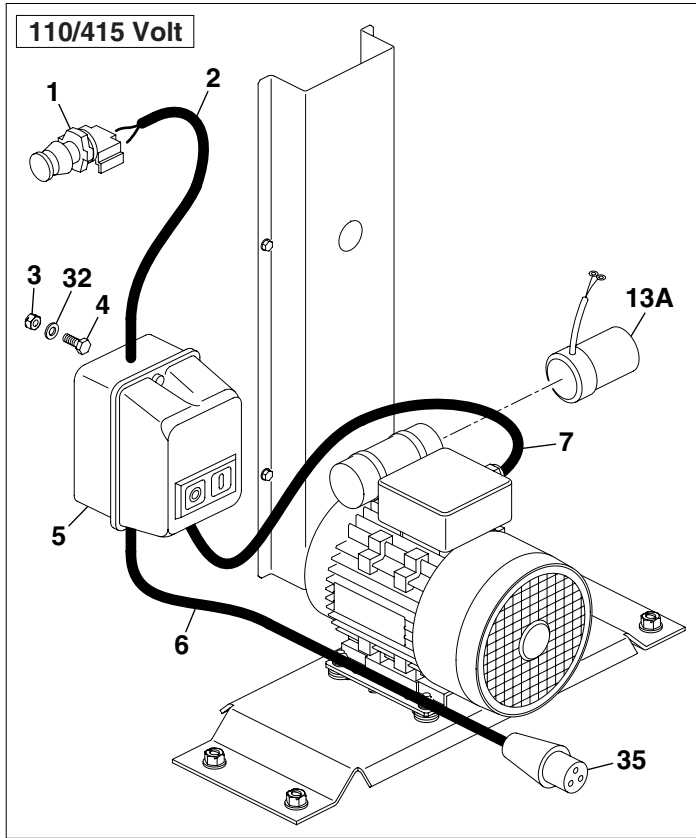


(CORRECT AT 04/02)

- 1 7-8008.....1Bolt (M8x16)
- 2 4-8006.....1Washer (M8)
- 3 200-06560.....1P-Clip
- 4 4-8008.....1Washer (5/16")
- 5 8-8002.....1Nut (M8)
- 6 92-99901.....1Funnel
- 7 140-05500.....1Cable (Positive)
- 8 100-05300.....1Battery
- 9 140-05100.....1Cable (Earth)
- 10 7-8011.....1Screw (M8x20)
- 11 4-8006.....1Washer (M8)
- 12 909-99949.....1Clamp
- 13 909-15800.....1Battery Tray (→ July'02)
- 13A 909-18500.....1Battery Tray (→ July'02)
- 14 7-10005.....1Bolt (M10x25)
- 15 4-1005.....2Washer (M10)
- 16 8-10001.....1Nut (M10)

Motor Assembly (→ July'02)

9-01

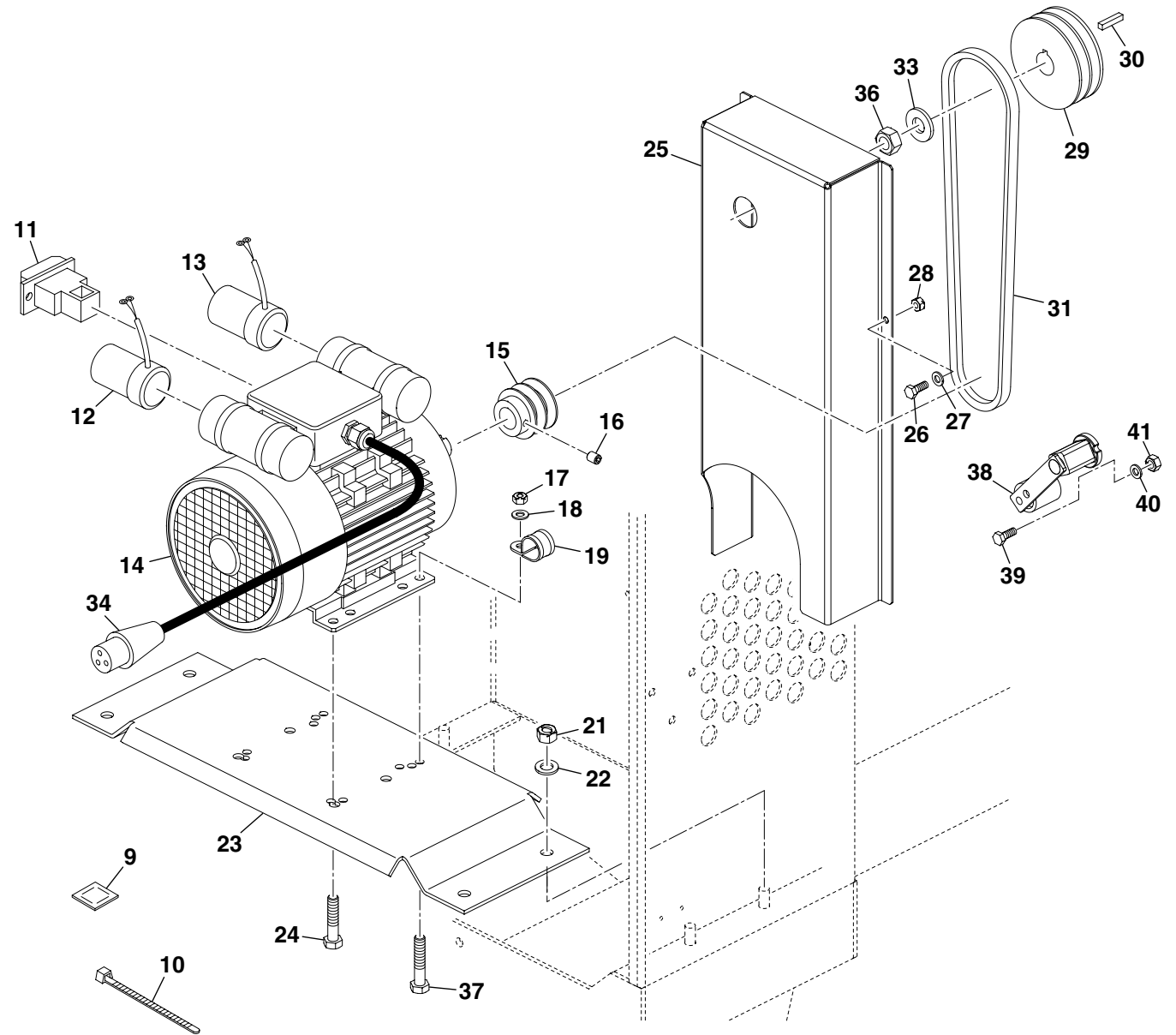
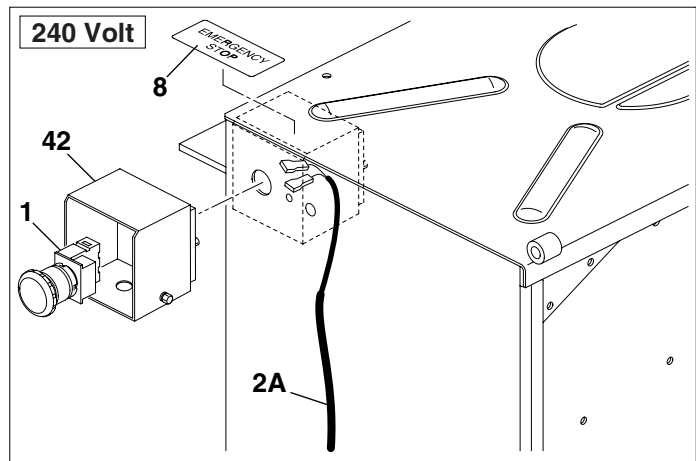
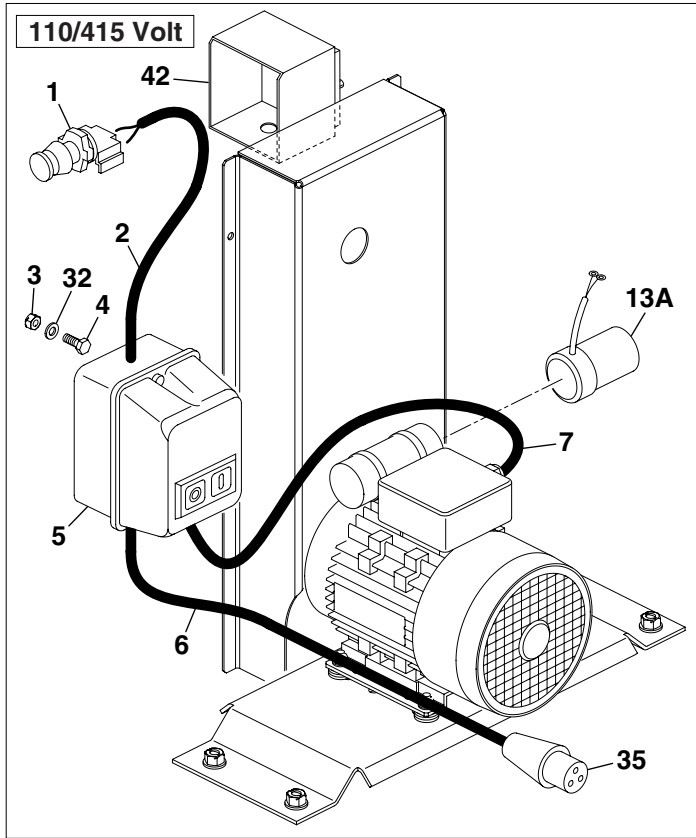


(CORRECT AT 04/02)

| | | | | | |
|-----|-------------------|---|-----|-----------------|-------------------------------|
| 1 | 70-0049.....1 |Switch Emergency Stop | 28 | 8-6002.....4 |Nut (M6) (→ July'02) |
| 2 | 71-0159.....1 |Harness Emergency Stop (110V / 415V) | 29 | 909-99964.....1 |Pulley |
| 2A | 71-0172.....1 |Harness Emergency Stop (240V) | 30 | 909-99968.....1 |Key |
| 3 | 8-4004.....2 |Nut (M4) | 31 | 20-0110.....2 |Belt (A37) (→ July'02) |
| 4 | 9-4001.....2 |Bolt (M4x12) | 32 | 4-4001.....2 |Washer |
| 5 | 908-22000.....1 |Switchbox (110V) | 33 | 4-1602.....1 |Washer (M16) |
| 5A | 908-20000.....1 |Switchbox (415V) | 34 | 918-28500.....1 |Plug (240V 16 amp) |
| 6 | 71-0160.....1 |Harness Power (c/w 110V 32Amp Plug) | 35 | 918-30100.....1 |Plug (110V 32 amp) |
| 6A | 71-0165.....1 |Harness Power (c/w 415V 32Amp Plug) | 35A | 70-0189.....1 |Plug (415V 32 amp) |
| 7 | 71-0161.....1 |Harness Motor (110V) | 36 | 8-16002.....1 |Nut (M16) |
| 7A | 71-0166.....1 |Harness Motor (415V) | 37 | 9-8003.....1 |Bolt (M8x35) (→ July'02) |
| 8 | 900-11600.....1 |Decal Emergency Stop | - | 800-21513.....1 |Decal Motor Maintenance |
| 9 | 900-99903.....A/R |Pad | - | 800-21533.....1 |Decal Motor Start Up |
| 10 | 1-0005.....A/R |Cable Tie | | | |
| 11 | 70-0044.....1 |Switch | | | |
| 12 | 70-0042.....1 |Run Capacitor (240V) | | | |
| 13 | 70-0043.....1 |Start Capacitor (240V) | | | |
| 13A | 70-0187.....1 |Start Capacitor (110V) | | | |
| 14 | 908-15000.....1 |Motor (110V) | | | |
| 14A | 908-13300.....1 |Motor (240V) | | | |
| 14B | 908-19900.....1 |Motor (415V) | | | |
| 15 | 908-14800.....1 |Pulley | | | |
| 16 | 7-8006.....1 |Screw (M8x10) | | | |
| 17 | 8-8002.....4 |Nut (M8) | | | |
| 18 | 4-8006.....4 |Washer (M8) | | | |
| 19 | 900-10200.....1 |P-Clip | | | |
| 20 | 4-8008.....24 |Washer (M8) (→ July'02) | | | |
| 21 | 8-12001.....4 |Nut (M12) | | | |
| 22 | 4-12004.....4 |Washer (M12) | | | |
| 23 | 909-99937.....1 |Motor Deck | | | |
| 24 | 9-8008.....3 |Bolt (M8x30) (→ July'02) | | | |
| 25 | 909-99940.....1 |Guard | | | |
| 26 | 9-6001.....4 |Screw (M6x16) (→ July'02) | | | |
| 27 | 4-6001.....8 |Washer (M6) (→ July'02) | | | |

Motor Assembly (→ July'02)

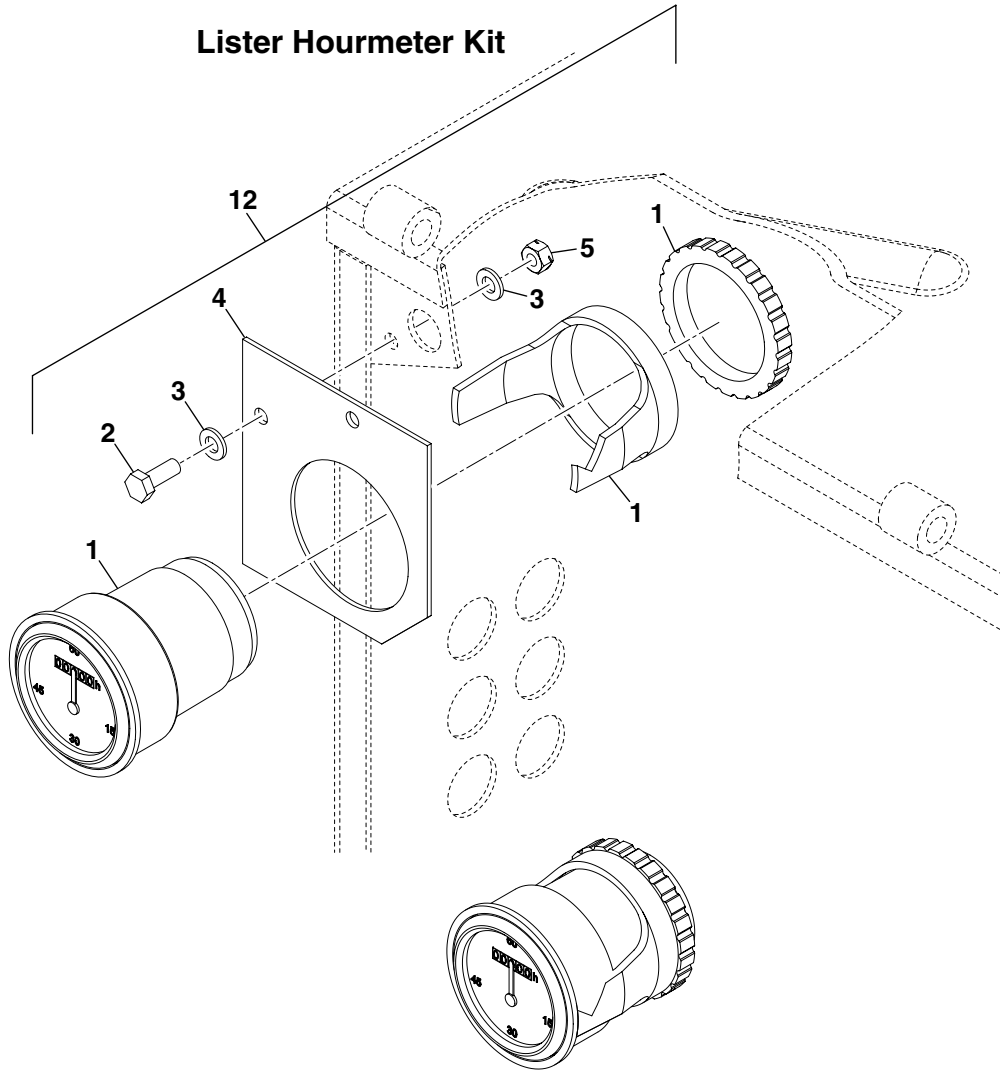
Item 42, should only be fitted by a qualified electrician



(CORRECT AT 04/02)

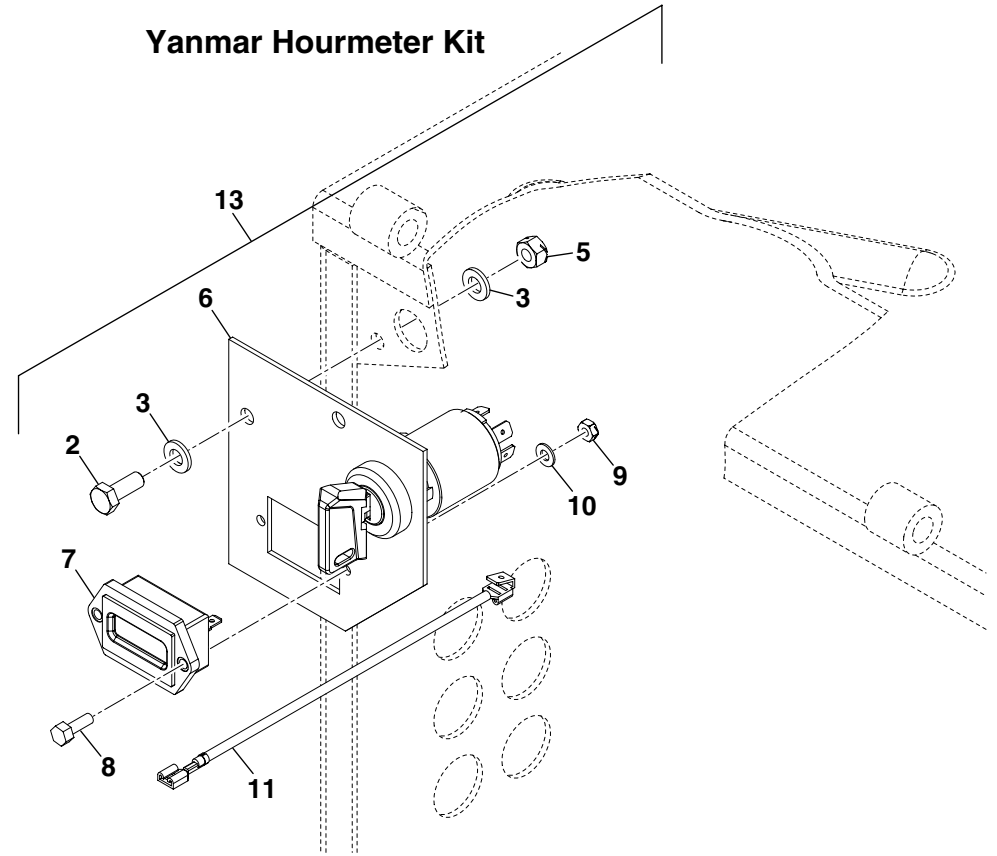
| | | | | | |
|-----|-------------------|---|-----|-----------------|--|
| 1 | 70-0049.....1 |Switch Emergency Stop | 28 | 8-6002.....4 |Nut (M6) |
| 2 | 71-0159.....1 |Harness Emergency Stop (110V / 415V) | 29 | 909-99964.....1 |Pulley |
| 2A | 71-0172.....1 |Harness Emergency Stop (240V) | 30 | 909-99968.....1 |Key |
| 3 | 8-4004.....2 |Nut (M4) | 31 | 21-0111.....2 |Belt (A38) (→ July'02) |
| 4 | 9-4001.....2 |Bolt (M4x12) | 32 | 4-4001.....2 |Washer |
| 5 | 908-22000.....1 |Switchbox (110V) | 33 | 4-1602.....1 |Washer (M16) |
| 5A | 908-20000.....1 |Switchbox (415V) | 34 | 918-28500.....1 |Plug (240V 16 amp) |
| 6 | 71-0160.....1 |Harness Power (c/w 110V 32Amp Plug) | 35 | 918-30100.....1 |Plug (110V 32 amp) |
| 6A | 71-0165.....1 |Harness Power (c/w 415V 32Amp Plug) | 35A | 70-0189.....1 |Plug (415V 32 amp) |
| 7 | 71-0161.....1 |Harness Motor (110V) | 36 | 8-16002.....1 |Nut (M16) |
| 7A | 71-0166.....1 |Harness Motor (415V) | 37 | ☉ 24.....4 |Bolt (M10x25) (→ July'02) |
| 8 | 900-11600.....1 |Decal Emergency Stop | 38 | 909-99999.....1 |Jockey (Belt Tensioner) (→ July'02) |
| 9 | 900-99903.....A/R |Pad | 39 | 7-5020.....1 |Screw (M5x10) (→ July'02) |
| 10 | 1-0005.....A/R |Cable Tie | 40 | 8-5002.....1 |Nut (M5) (→ July'02) |
| 11 | 70-0044.....1 |Switch | 41 | 4-5002.....1 |Washer (M5) (→ July'02) |
| 12 | 70-0042.....1 |Run Capacitor (240V) | 42 | 909-20100.....1 |Emergency Stop Cover Kit (→ March'04) |
| 13 | 70-0043.....1 |Start Capacitor (240V) | - | 800-21513.....1 |Decal Motor Maintenance |
| 13A | 70-0187.....1 |Start Capacitor (110V) | - | 800-21533.....1 |Decal Motor Start Up |
| 14 | 908-15000.....1 |Motor (110V) | - | 800-99916.....1 |Decal Motor Noise |
| 14A | 908-13300.....1 |Motor (240V) | | | |
| 14B | 908-19900.....1 |Motor (415V) | | | |
| 15 | 908-14800.....1 |Pulley | | | |
| 16 | 7-8006.....1 |Screw (M8x10) | | | |
| 17 | 8-10001.....4 |Nut (M10) (→ July'02) | | | |
| 18 | 4-1005.....8 |Washer (M10) (→ July'02) | | | |
| 19 | 900-10200.....1 |P-Clip | | | |
| 20 | 4-8008.....24 |Washer (M8) | | | |
| 21 | 8-12001.....4 |Nut (M12) | | | |
| 22 | 4-12004.....4 |Washer (M12) | | | |
| 23 | 909-99937.....1 |Motor Deck | | | |
| 24 | 7-10005.....4 |Bolt (M10x25) (→ July'02) | | | |
| 25 | 909-99804.....1 |Guard (→ July'02) | | | |
| 26 | 9-6001.....4 |Screw (M6x16) | | | |
| 27 | 4-6001.....8 |Washer (M6) | | | |

Lister Hourmeter Kit



Item 1 assembled for clarity

Yanmar Hourmeter Kit



Hourmeter Assembly (Lister & Yanmar)

10-01

- 1 70-0039.....1Engine Hour Meter (Lister)
- 2 9-6001.....2Bolt M6 x 16 Hex BZP
- 3 4-6001.....4Washer M6 Form A BZP
- 4 909-99944.....1Plate Lister Hourmeter
- 5 8-6002.....2Nut M6 BINX BZP
- 6 909-99945.....1Plate Yanmar Hourmeter
- 7 100-02400.....1Engine Hour Meter (Yanmar)
- 8 9-4001.....2Bolt M4 x 12
- 9 8-4004.....2Nut M4
- 10 4-4001.....2Washer M4
- 11 71-0171.....2Harness Hour Meter (Yanmar)
- 12 OPM/04/DIO1Hourmeter Kit (Lister)
- 13 OPM/05/DIO1Hourmeter Kit (Yanmar)

