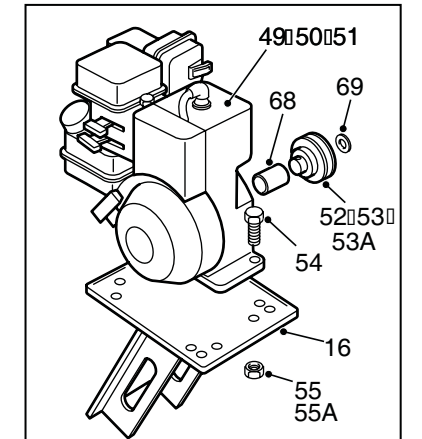
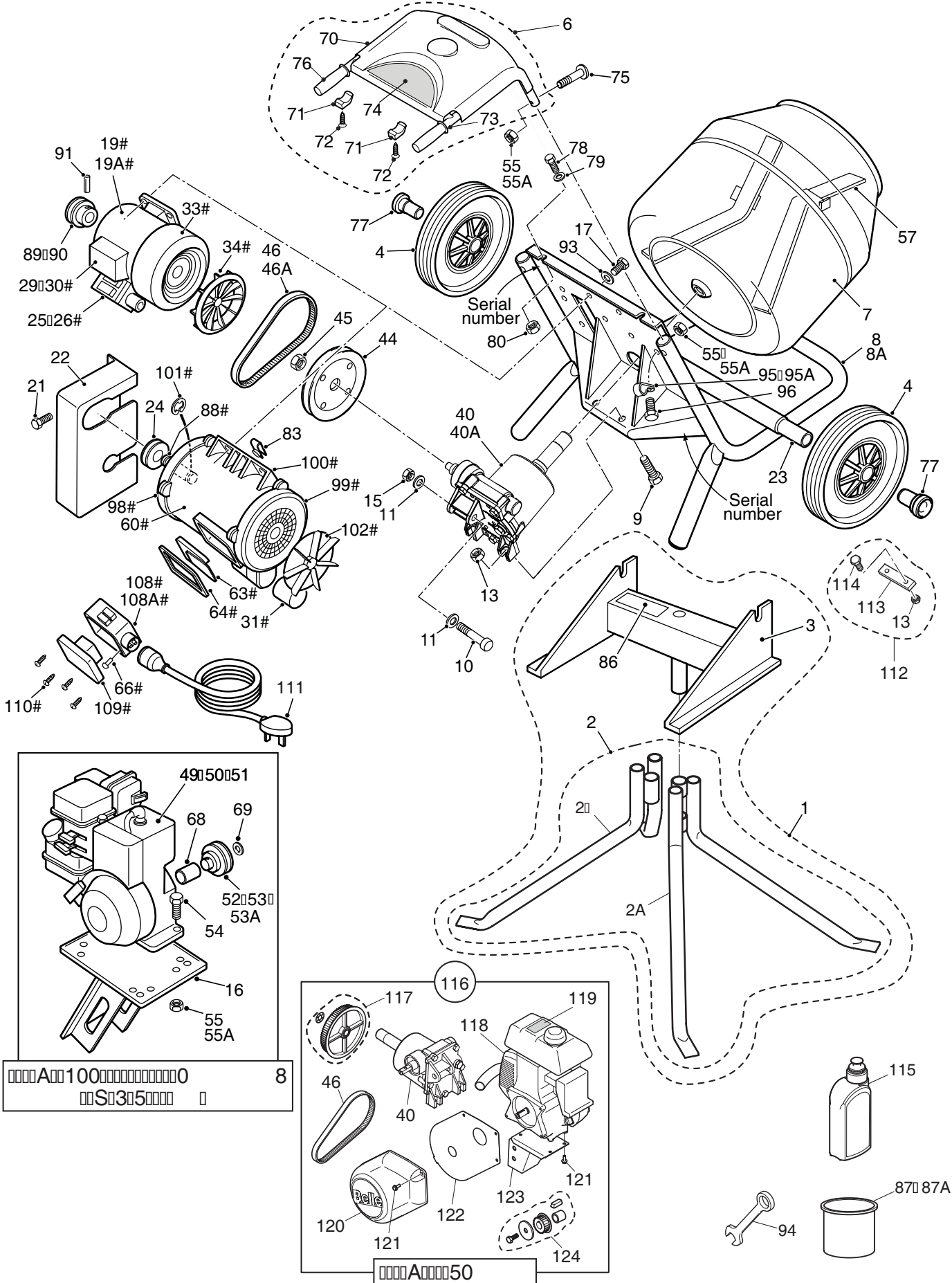
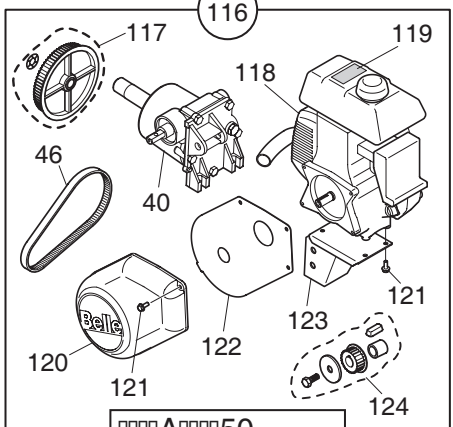


854/10001/3 01/14 Minimix 140 / 150




□□□□A□□100□□□□□□□□□□0
□□□□S□3□5□□□□□ □

8



□□□□A□□□□50

ITEM NUMBER ⁽¹⁾	PART NUMBER ⁽²⁾	DESCRIPTION ⁽³⁾	ITEM NUMBER ⁽¹⁾	PART NUMBER ⁽²⁾	DESCRIPTION ⁽³⁾
1	900/14300	STAND ASSEMBLY	64	900/19600	GASKET
2	900/14200	STAND BOTTOM LH & RH COMBINED	66	900/19100	RIVET
2A	900/17000	STAND BOTTOM LH WA (2 BOSSES)	68	MS20	SPACER (HONDA G100)
2B	900/17100	STAND BOTTOM RH WA (1 BOSS)	69	4/0008	WASHER (5/8")
2C	900/11600	STAND TOP WA	70	900/99914	TOP COVER
4	60/0286	WHEEL	71	900/99918	TOP COVER CLAMP
6	900/25100	HANDLE ASSEMBLY	72	7/5017	SCREW PLASFASST
7	CMS12	DRUM	73	900/25000	HANDLE WA
8	900/11500	MAINFRAME WA (MINIMIX 150 BOXED)	74	800/21300	DECAL TOP COVER
8A	MS05	MAINFRAME WA (MINIMIX 140)	75	9/8021	SCREW (M8 SPECIAL)
9	7/10003	SET SCREW (M10 X 35)	76	XS35	HANDLE GRIP
10	9/12005	BOLT (M12 X 70)	77	900/11400	RETAINER WHEEL
11	4/1205	WASHER (M12)	78	7/6001	SET SCREW (M6 X 12)
12	-		79	4/6003	WASHER (M6)
13	8/10003	NUT (M10)	80	8/6001	NUT (M6)
14	-		83	8/8007	NUT (M8 LUG)
15	8/12002	NUT (M12)	86	900/12600	DECAL STAND ASSEMBLY
16	900/23400	MOTOR DECK	87	1/0519	PAINT - 1 LITRE TIN (ORANGE)
17	7/8011	SET SCREW (M8 X 20)	87A	1/0507	PAINT - SPRAY CAN (ORANGE)
19	CMS02	MOTOR C/W PULLEY (110V-50HZ)	88	900/15000	SLEEVE MOTOR SHAFT
19A	CMS65	MOTOR (110V-60HZ)	89	MS17	MOTOR PULLEY (5/8")
21	7/10002	SCREW (10 X 3/8")	90	CMS64	PULLEY (5/8") (60HZ)
22	MS14	BELT GUARD	91	7/6008	GRUB SCREW (M6 X 8)
23	900/11503	AXLE TUBE	93	4/8008	WASHER (5/16" X 1")
24	900/12400	PULLEY M30 MOTOR	94	900/20500	SPANNER (M8)
25	CMS63	BOX SWITCH 110V NVR C/W BS4343	95	900/10100	P-CLIP
26	CMS36	ACC PLATE 110V	95A	900/10200	P-CLIP (NO. 6)
29	CMS17	COVER - 110V/240V CAPACITOR	96	7/8008	SCREW SET (M8 X 16)
30	CMS29	CAPACITOR (110V - SILVER)	98	900/16700	COVER MOTOR PULLEY END
31	CMS21	CAPACITOR (240V - WHITE)	99	900/16800	COVER MOTOR FAN END
33	CMS25	FAN COWL (110V/240V)	100	900/16400	CASING M30 MOTOR
34	CMS24	FAN (110V/240V)	101	600/03150	E-CLIP
35	-		102	900/16500	FAN M30 MOTOR
36	-		108	900/19500	BOX BASE CEE7 (220V)
37	-		108A	900/19400	BOX BASE CEE17 (240V)
38	-		109	900/19300	LID ASSY NVR (220V/240V)
38A	-		110	900/19700	SCREW LID NVR
39	-		111	900/18100	CABLE EXTENSION (240V - 3 PIN)
40	MS25	GEARBOX ASSEMBLY	111	163.0.078	CABLE EXTENSION (240V - 2 PIN)
40A	900/24700	GEARBOX ASSEMBLY (HONDA GXH50)	112	900/32300	KIT GEARBOX SUPPORT PLATE
41	-		113	900/99931	PLATE GEARBOX SUPPORT
42	-		114	9/10005	BOLT (M10 X 45)
42A	-		115	92/00002	ENGINE OIL - 450ML BOTTLE
43	-		116	900/36200	CONVERSION KIT (HONDA GXH50)
44	CMS39	GEARBOX PULLEY	117	900/31600	GEARBOX PULLEY KIT (HONDA GXH50)
45	8/12003	NUT (M12 L/H)	118	20/0031	ENGINE (HONDA GXH50)
46	MS01	V-BELT (A23.5)	119	800/21320	DECAL HOT PARTS
46A	900/15400	V-BELT (A23) (60HZ)	120	900/99935	BELT GUARD (HONDA GXH50)
47	-		121	7/6034	BOLT (M6 X 16)
48	-		122	900/99934	PLATE BELT GUARD (HONDA GXH50)
49	CMS19	ENGINE - BRIGGS & STRATTON	123	900/35300	ENGINE DECK (HONDA GXH50)
50	 116	ENGINE - HONDA G100	124	900/36400	ENGINE PULLEY KIT (HONDA GXH50)
51	MS16	ENGINE - ROBIN			
52	MS18	ENGINE PULLEY 3/4"			
53	900/21300	PULLEY (HONDA G100)			
53A	MS32	ENGINE PULLEY KIT (ROBIN)			
54	9/8003	BOLT (M8 X 35)			
55	8/8001	NUT (M8)			
55A	4/8002	WASHER (8MM)			
57	CMS13	PADDLE KIT - 2 PADDLES & BRACKET			
60	900/20400	MOTOR KIT (240V NVR)			
63	900/19200	ADAPTOR PLATE MOTOR			

Belle Group reserves the right to alter details and specification without notice

(1) Item Number / numéro sur le schéma / número de la ilustración / número da ilustração / afbeeldingsnummer / tegningsnummeret / Teil-Nummer / numero dell'illustrazione

(2) Part Number / Numéro de référence de la pièce / número de pieza / número da parte / stuknummer / Styknummer / Nummer auf der Abbildung / numero di parte

(3) Description / Désignation / Descripción / Descrição / Omschrijving / Beskrivelse / Bezeichnung / Descrizione